

Sun3 Square LED 16Deg Recessed Uplight/Steplight



Shown in: Satin Aluminum

List Price: \$336.00
Our Price: \$268.80

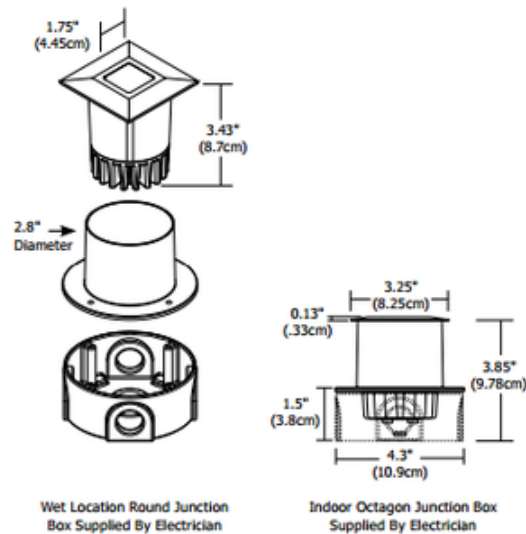
Shade Color: N/A
Body Finish: Satin Aluminum
Lamp: 1 x LED/6.5W/12V LED
Wattage: 6.5W
Dimmer: Dimmable
Dimensions: 3.43"H x 3.25"W x 3.25"D

Technical Information

Luminous Flux: 281 lumens
Lumens/Watt: 43.23
Lamp Color: 2968 K
Color Rendering: 80 CRI
Beam Angle: 16°
Lamp Life: 50000 hours

Description:

Sun3 3 Inch Square 16 Degree LED Recessed Uplight/Steplight includes a 12 volt 6.5 watt high powered Warm White 2968K color temperature LED, 80CRI, 42 lumens per watt/281 lumens total. Features a 16 degree precise focus and tempered glass lens with marine-grade aluminum beveled edge trim. Available in 16, 23, 36 and 47 degree beam options. Finish in Satin Aluminum. 70 percent lumen maintenance based on 50,000 hours of operation. Sun3 is rated for outdoor, ocean front environments using a wet location electrical box or indoor using a standard octagon electrical box. Can be powered with a 12V TE-60L-12 LED electronic low voltage, or 12VAC T-150-12 or T-300-12 magnetic low voltage power supply. Electronic low voltage power supply dimmable with an electronic low voltage dimmer. Lutron dimmers recommended: Dims to 9 percent with Lutron Diva DVELV-300P, 21 percent with Lutron Skyark SELV-300P, or 31 percent with Lutron Maestro MAELV-600. Magnetic low voltage power supply dimmable with a magnetic low voltage dimmer. Lutron dimmers recommended: Dims to 16 percent with Lutron Diva DVLV-600P, or 39 percent with Lutron Skylark SLV-600P. The trim accepts optical accessories and dichroic color filters when used with the SUN3-LL(H) accessory, sold separately. ETL listed. Wet location listed. 3.2 inch square x 3.43 inch height. Fixture includes a 5 year warranty. SUN3 is constant voltage fixture and it is listed to be used



Product Number: EDG56220			
Company:		Fixture Type:	Date: Mar 17, 2018
Project:		Approved By:	

#1200US-SUN3SQ-016L1-XXSA

Fax: (773) 883-6131

Phone: 866-954-4489

Address: 1718 W. Fullerton Ave. Chicago IL 60614

www.Lightology.com