

Meurice Pendant



Designer: Jonathan Adler

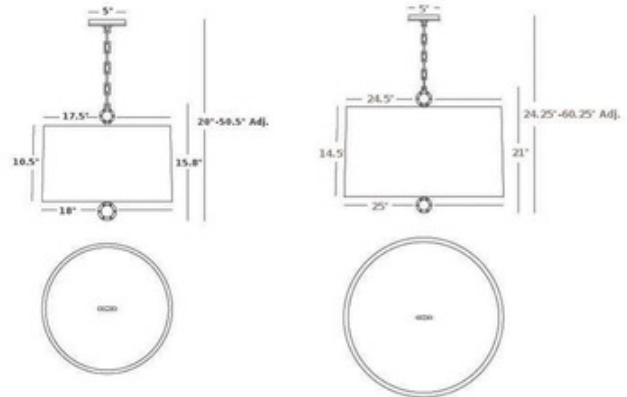
Description:

The Meurice Pendant features an Off-White linen shade with a rolled edge hem and Polished Nickel finish. Available in two sizes. Includes 3 feet of chain and 12 feet of cord. 100 watt, 120 volt, A19 typ Medium base incandescent bulbs are required, but not included. UL listed. Small: 18 inch width x 15.75 inch height x 50.5 inch maximum length. Large: 25 inch width x 21 inch length x 60.25 inch maximum length.

Shown in: Polished Nickel / Off White

List Price: \$751.81
Our Price: \$601.45

Shade Color: Off White
Body Finish: Polished Nickel
Lamp: 2 x A19/Medium (E26)/100W/120V Incandescent
Wattage: 200W
Dimmer: Incandescent
Dimensions: 50.5"L x 15.75"H x 18"W



Product Number: JAD56489			
Company:		Fixture Type:	Date: Mar 22, 2018
Project:		Approved By:	

#1818SU-MEURICE-01811-WHPN

Fax: (773) 883-6131

Phone: 866-954-4489

Address: 1718 W. Fullerton Ave. Chicago IL 60614

www.Lightology.com