

Tolomeo Classic Plug-In Wall Light



Designer: Michele De Lucchi & Giancarlo Piretti

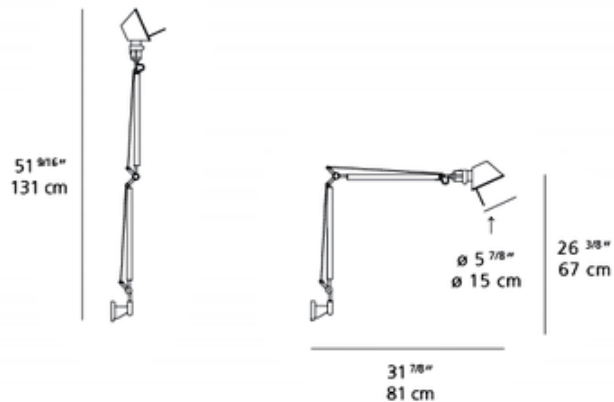
Description:

Tolomeo Classic Wall Light with S Bracket (cord and plug) features a fully articulated arm, body structure and diffuser in extruded natural anodized Aluminum, Black or White. Joints and tension control knobs in polished die-cast aluminum and tension cables in stainless steel. Type S suitable for wall surface mounting with cord and plug. Diffuser is tiltable and is 360 degree rotatable on lampholder. On/off switch. One 100 watt, 120 volt A19 type medium base incandescent lamp is required, but not included. UL listed. 5 7/8 inch diameter shade. 26 3/8 inch height x 31 7/8 inch depth x 51 9/16 inch fully extended arm.

Shown in: Aluminum

List Price: \$300.00
Our Price: \$204.00

Shade Color: N/A
Body Finish: Aluminum
Lamp: 1 x A19/Medium (E26)/100W/120V Incandescent
Wattage: 100W
Dimmer: N/A
Dimensions: 51.6"L x 26.4"H x 5.9"W x 31.9"D



Product Number: ART57241			
Company:		Fixture Type:	Date: Mar 23, 2018
Project:		Approved By:	

#0112WA-TOLCSBR-03011-OOPA

Fax: (773) 883-6131

Phone: 866-954-4489

Address: 1718 W. Fullerton Ave. Chicago IL 60614

www.Lightology.com