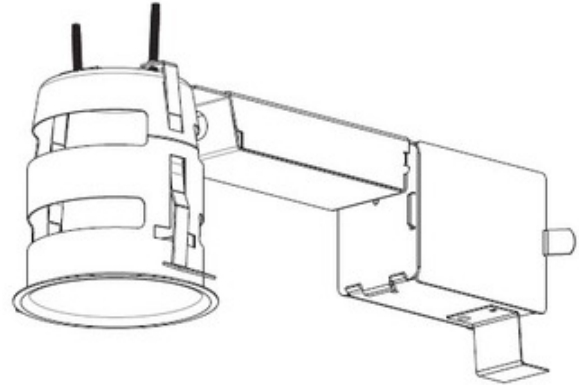


**BRAND**

Contrast Lighting

**DESCRIPTION**

3.5 inch LED non-ic remodel housing with electronic driver has .051 inch thick galvanized steel, is below ceiling accessible, takes up to 1 1/2 inch thick ceiling, and has no light leak. Housing should be at least 3 inches from insulation. 12 watts of 3000K LED light included. For use with LEDG314, LEDT312, LEDG325, and LEDT325 trims, sold separately. UL listed for damp locations. 4.75W x 6.0625H x 13.75L

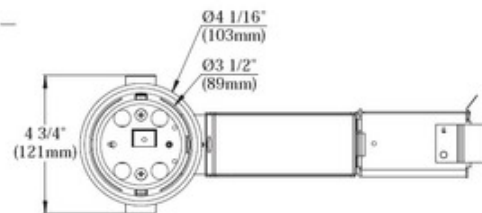
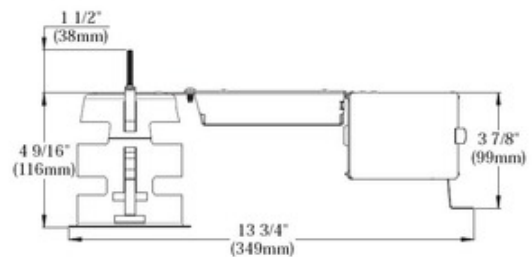


<b>TRIM COLOR</b>	N/A
<b>BODY FINISH</b>	Galvanized Steel
<b>WATTAGE</b>	12W
<b>DIMMER</b>	N/A
<b>DIMENSIONS</b>	13.75"L x 4.75"W x 6.063"H
<b>INTEGRATED LED MODULE</b>	
<b>LAMP</b>	LED/12W/12V LED

*Technical Information*

<b>LAMP COLOR</b>	3000K
<b>CEILING TYPE</b>	Drywall with Trim
<b>HOUSING TYPE</b>	Remodel NON IC
<b>HOUSING HEIGHT</b>	7"
<b>APERTURE SHAPE</b>	Round

**SPEC #** CLT60197



COMPANY	PROJECT	FIXTURE TYPE	APPROVED BY	DATE