

Beads Octo Pendant



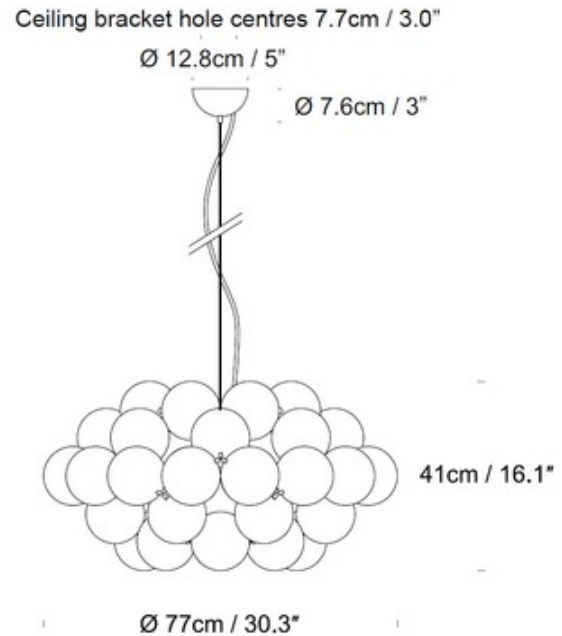
**Description:**

The Beads Octo Pendant is available in Chrome, Copper, Gunmetal, or Gloss White. One 15 watt max 120 volt medium base LED bulb is required, but not included. 30.3 inch width x 16.1 inch height x 173.6 inch maximum length. Canopy: 5 inch width x 3 inch height. ETL listed.

Shown in: Copper

List Price: \$4443.75  
 Our Price: \$3555.00

Shade Color: N/A  
 Body Finish: Copper  
 Lamp: 1 x LED/Medium (E26)/15W/120V LED  
 Wattage: 15W  
 Dimmer: Dimmable  
 Dimensions: 173.6"L x 16.1"H x 30.3"W



Product Number: <b>INN60887</b>			
Company:		Fixture Type:	Date: Mar 24, 2018
Project:		Approved By:	

#0901SU-BEADSOC-03011-COCO

Fax: (773) 883-6131

Phone: 866-954-4489

Address: 1718 W. Fullerton Ave. Chicago IL 60614

www.Lightology.com