

# Cleo Pendant



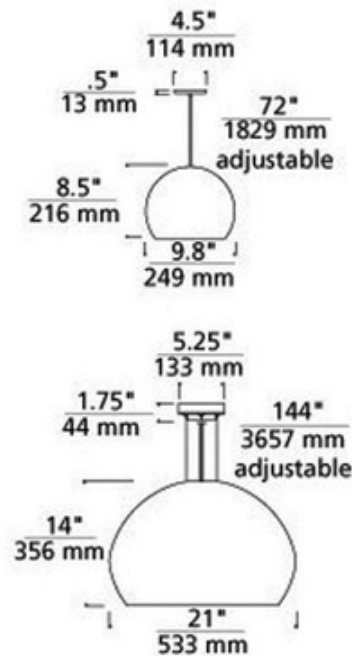
**Description:**

Cleo Pendant features a white orb of hand-blown glass suspended from a colorful cloth cord for dramatic effect. Cord available in Gray, Orange or Red. Finish available in Antique Bronze, Black, Satin Nickel or White. Black, White and Satin Nickel finish options include clear cable. Antique Bronze option includes brown cable. Available in a medium and grande size option. Medium: One 75 watt, 120 volt A19 medium base incandescent lamp is required, but not included. Grande: One 150 watt, 120 volt G40 medium base incandescent lamp is required, but not included. Medium includes 6 feet of field cuttable cable. Grande includes 12 feet of field cuttable cable. ETL listed. Medium: 9.8 inch diameter x 8.5 inch height x 80.5 inch length. Grande: 21 inch diameter x 14 inch height x 158 inch length.

Shown in: Satin Nickel / White / Orange Cord

**List Price:** \$362.50  
**Our Price:** \$290.00

**Shade Color:** White / Red Cord  
**Body Finish:** Satin Nickel  
**Lamp:** 1 x A19/Medium (E26)/75W/120V Incandescent  
 1 x A19/Medium (E26)/120V LED  
**Wattage:** 75W  
**Dimmer:** Incandescent  
**Dimensions:** 80.5"L x 8.5"H x 9.8"W



Product Number: <b>TLG61382</b>			
Company:		Fixture Type:	Date: Apr 19, 2018
Project:		Approved By:	

#2002SU-CLEO-01011-WRSN

Fax: (773) 883-6131

Phone: 866-954-4489

Address: 1718 W. Fullerton Ave. Chicago IL 60614

www.Lightology.com