

Jayden Grande Pendant



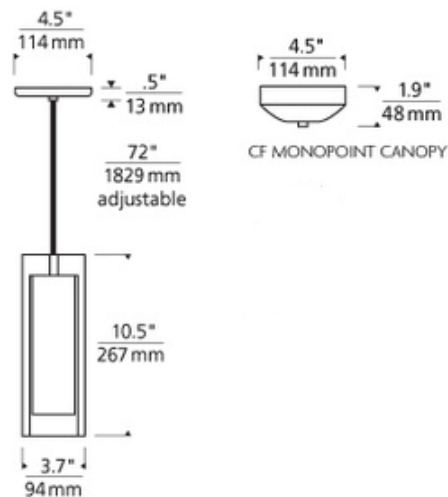
Description:

Jayden Grande Pendant is cut from a solid block of Clear crystal surrounding a hand-blown white inner glass. Finish available in Antique Bronze, Black, White or Satin Nickel. Black, Satin Nickel and White canopy options highlighted with Satin Nickel top detail and clear cable. Antique Bronze canopy option highlighted with Antique Bronze detail and brown cable. One 60 watt, 120 volt medium base lamp is required, but not included. Provided with six feet of field-cutable suspension cable and a 4.5 inch round flush mount canopy. ETL listed. 3.7 inch square x 10 inch height x 82 inch length.

Shown in: Satin Nickel / Clear

List Price: \$662.50
 Our Price: \$530.00

Shade Color: Clear
 Body Finish: Satin Nickel
 Lamp: 1 x BT15/Medium (E26)/43W/120V Halogen
 Wattage: 43W
 Dimmer: Incandescent
 Dimensions: 82"L x 10"H x 3.7"W x 3.7"D



Product Number: TLG61749			
Company:		Fixture Type:	Date: Apr 20, 2018
Project:		Approved By:	