



DESIGNER

Philippe Starck

BRAND

FLOS

DESCRIPTION

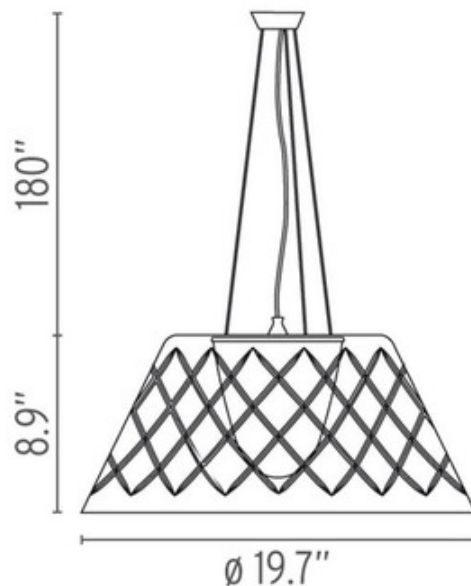
Romeo Louis II S2 suspension features an inner acid polished transparent glass diffuser and an outer transparent glass shade. Features white ABS rose, galvanized internal steel ceiling fitting and steel support cables and transparent cord. Available in a 13.4 and 19.7 inch wide option. One 150 watt, 120 volt, T10 medium base halogen lamp not included. General light distribution. UL listed. Overall maximum height is 180 inches. 19.7 inch diameter x 8.9 inch height.



SHADE COLOR	Transparent
BODY FINISH	Steel
WATTAGE	150W
DIMMER	N/A
DIMENSIONS	19.7"W x 8.9"H
BULB NOT INCLUDED	
LAMP	1 x T10/Medium (E26)/150W/120V Halogen

SPEC #

FLO61959



COMPANY

PROJECT

FIXTURE TYPE

APPROVED BY

DATE