

# Fluid Round LED Wall/Ceiling Mount



**Description:**

Fluid Round LED Wall/Ceiling mount is created by pouring molten glass into a contoured mold, creating a unique and elegant looking light that changes at every angle. Finish available in Antique Bronze, Chrome or Satin Nickel. Available in two size options, a round and square version, and halogen, fluorescent, or LED lamping option with choice of Very Warm White 2700K or Warm White 3000K color temperature. ADA compliant when used as a wall sconce. Suitable for wet locations. Dimmable with low voltage electronic dimmer. Small: Includes 10 watt, 530 net lumen LED module. 6 inch diameter x 2 inch height. Large: Includes 15 watt, 800 net lumen LED module. 11 inch diameter x 2.5 inch height.

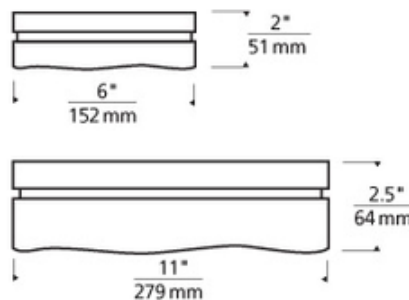
Shown in: Satin Nickel / Clear

List Price: \$262.50  
 Our Price: \$189.00

Shade Color: Clear  
 Body Finish: Satin Nickel  
 Lamp: 1 x LED/10W/120V LED  
 Wattage: 10W  
 Dimmer: Low Voltage Electronic  
 Dimensions: 2"H x 6"W

**Technical Information**

Luminous Flux: 530 lumens  
 Lumens/Watt: 53.00  
 Lamp Color: 2700 K



Product Number: <b>TLG62380</b>			
Company:		Fixture Type:	Date: Mar 21, 2018
Project:		Approved By:	

#2002WC-FLUIDRS-00611-GLSN

Fax: (773) 883-6131

Phone: 866-954-4489

Address: 1718 W. Fullerton Ave. Chicago IL 60614

www.Lightology.com