

Light Spring Single Wall Sconce



Designer: Ron Gilad

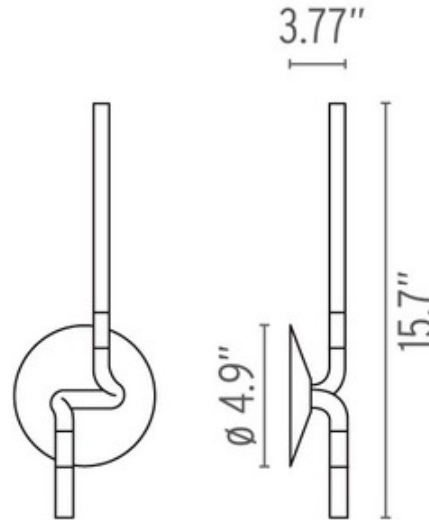
Description:

Light Spring Single wall sconce features White finish. Head can be rotated 45 degrees on its vertical axis. Fixture can only be mount on octagonal j-boxes. Includes 14, 80 CRI 2700K LED lamps totaling 4.5 watts . UL listed. ADA compliant. 4.9 inch width x 15.7 height x 3.77 depth.

Shown in: White

List Price: \$635.72
Our Price: \$445.00

Shade Color: N/A
Body Finish: White
Lamp: 1 x LED/4.5W/120V LED
Wattage: 4.5W
Dimmer: N/A
Dimensions: 15.7"H x 4.9"W x 3.77"D



Product Number: FLO62570			
Company:		Fixture Type:	Date: Apr 21, 2018
Project:		Approved By:	

#0604WS-LTSPRGS-005L1-XXWH

Fax: (773) 883-6131

Phone: 866-954-4489

Address: 1718 W. Fullerton Ave. Chicago IL 60614

www.Lightology.com