

Revel Linear Suspension



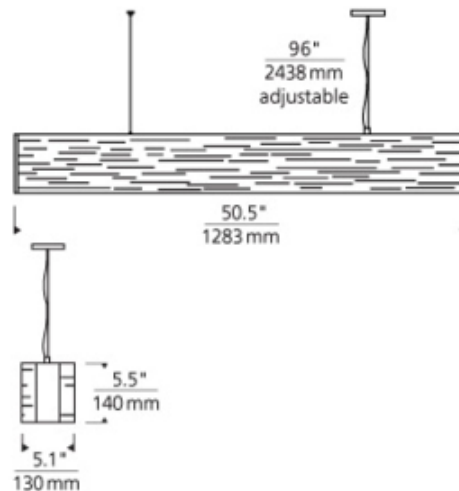
Description:

The Revel Linear Suspension fixture captures light in motion. Features a sleek metal surface laser-cut with horizontal slots which allow light to shine through the inner white diffuser. A bottom glass diffuser provides a glare free wash of light. Finish available in Satin Nickel, Gloss Black, Gloss White or Antique Bronze. Walnut wood, Maple wood or no trim matching metal end caps complement the design. Available with fluorescent and LED lamp options. Fluorescent option includes two 54 watt, 120 volt T5 3000K high output bi-pin base linear fluorescent lamps with non-dimmable ballast. LED option includes one 40 watt, 120 volt LED module, 3000K color temperature, 80CRI, dimmable with an LED compatible dimmer. ETL listed. Suitable for damp locations. Ships with extra center power feed canopy and side post for applications with a centered junction box. 50.5 inch width x 5.1 inch height x 5.5 inch depth x 101.5 inch overall length.

Shown in: Satin Nickel / No Trim

List Price: \$1637.50
Our Price: \$1179.00

Shade Color: No Trim
Body Finish: Satin Nickel
Lamp: 2 x T5HO/T5 Bipin/54W/120V Compact Fluorescent
Wattage: 108W
Dimmer: Not Dimmable
Dimensions: 101.5"L x 5.5"H x 50.5"W x 5.1"D



Product Number: TLG63954			
Company:		Fixture Type:	Date: Mar 21, 2018
Project:		Approved By:	

#2002LS-REVEL-051C1-MTSN

Fax: (773) 883-6131

Phone: 866-954-4489

Address: 1718 W. Fullerton Ave. Chicago IL 60614

www.Lightology.com