



BRAND

Artemide

DESCRIPTION

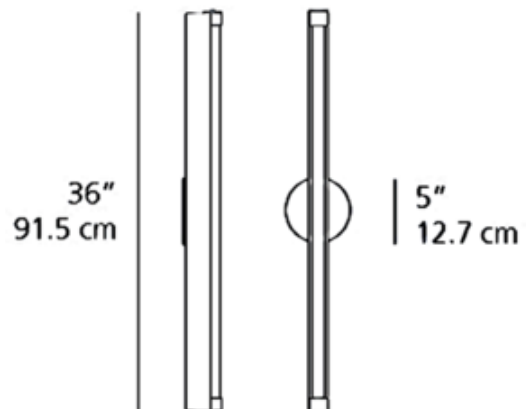
The Basic Strip 36 Inch Wall Light is designed for use with a linear exposed fluorescent lamp. Finish in White powder coat finish. Includes end caps. Input voltage: 120-277V. Includes an Advance 1XICN-2P32-N-35M ballast. On/off only. Not-dimmable. Note: This is a discontinued model and limited to quantity on hand.



SHADE COLOR	N/A
BODY FINISH	Natural Anodized Aluminum
WATTAGE	32W
DIMMER	Not Dimmable
DIMENSIONS	48"L x 1.5"W x 2.75"D
BULB NOT INCLUDED	
LAMP	1 x T8/T8 Bipin (G13)/32W/120V Fluorescent

2 3/4"
7 cm

1 1/2"
4 cm



SPEC #

ART65952

COMPANY

PROJECT

FIXTURE TYPE

APPROVED BY

DATE