



DESIGNER Michele De Lucchi & Giancarlo Piretti
BRAND Artemide

DESCRIPTION

Tolomeo LED Classic Desk Lamp features an aluminum finish. Fully adjustable arm in extruded aluminum, joints and tension control knobs in die-cast aluminum, and cables in stainless steel. Dimmer switch incorporated on head. 30.75 inches deep x 25 7/16 inches high x 48 inch maximum extended arm. Available with Table base, In Set Pivot, or Clamp mounting option. Choice of 3000K or Artemide My White Light technology which allows color temperature to be set anywhere from 2500K to 10,000K.



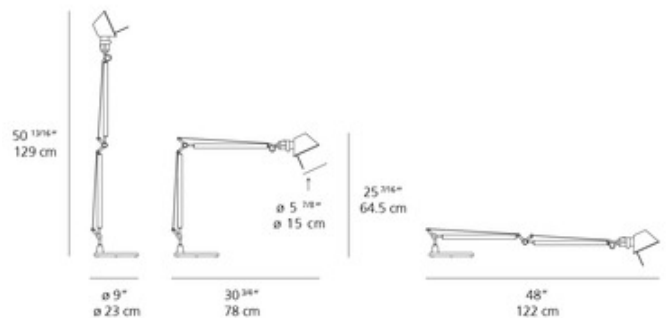
Shown in: Aluminum / Aluminum

SHADE COLOR	Aluminum
BODY FINISH	Aluminum
WATTAGE	12W
DIMMER	Included
DIMENSIONS	48"L x 9"W x 50.81"H x 9"D
INTEGRATED LED MODULE	
LAMP	1 x LED/12W/120V LED

Technical Information

LUMINOUS FLUX	420 lumens
LUMENS/WATT	35.00
LAMP COLOR	Tunable White
COLOR RENDERING	80 CRI

SPEC # ART68405



COMPANY	PROJECT	FIXTURE TYPE	APPROVED BY	DATE