

Tizio 35 Floor Lamp



Designer: Richard Sapper

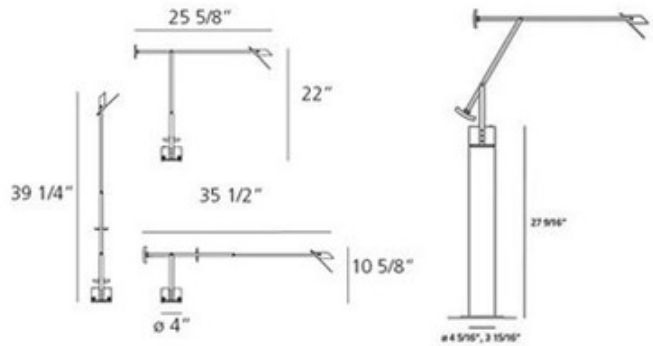
Description:

Tizio 35 Floor Lamp features a floor support in lacquered steel with snap in adapter kit in molded thermoplastic. Incorporated low voltage transformer and two intensity on/off switch. Fully adjustable arms in anti corrosion treated aluminum. Arm spacer bars in chromed steel with red, molded thermoplastic insulators and counterweights in zinc alloy. Adjustable diffuser in die-cast aluminum with inner high efficiency glass. 360 degree rotatable base. Finish for lamp with floor support available in Black only. Floor support is 27 9/16 inches high x 3 15/16 inch diameter. Tizio 35 lamp is 22 inches high x 25 5/8 inches deep x 39.25 inch maximum arm extension. Includes one 35 watt GY6.35 halogen lamp. UL listed.

Shown in: Black / Black

List Price: \$831.25
Our Price: \$665.00

Shade Color: Black
Body Finish: Black
Lamp: 1 x T4/GY6.35 (bipin)/35W/12V Halogen
Wattage: 35W
Dimmer: Included
Dimensions: 39.25"H x 25.6"W



Product Number: ART68420			
Company:		Fixture Type:	Date: Apr 22, 2018
Project:		Approved By:	

#0112FL-TIZIO-22H1-BK

Fax: (773) 883-6131

Phone: 866-954-4489

Address: 1718 W. Fullerton Ave. Chicago IL 60614

www.lightology.com