



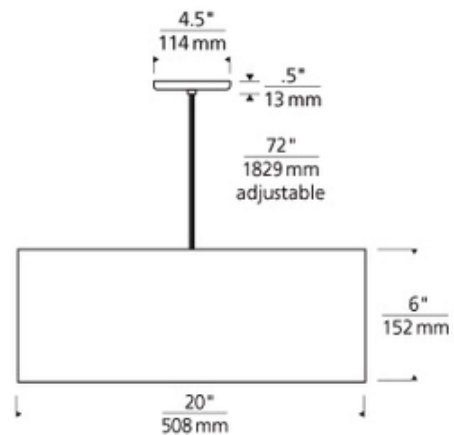
BRAND Visual Comfort Modern

DESCRIPTION

Mulberry Pendant Light features a short drum shade available in Desert Clay fabric with a glass diffuser that provides a glare free wash of light. Finish in Satin Nickel supplied with Satin Nickel detail and six feet of clear field cuttable suspension cable. Four 120 volt, 75 watt A-type medium base lamps are required, but not included. Includes a 4.5 inch round flush canopy. ETL listed. 20 inch diameter x 6 inch high shade x 78 inch length.



SHADE COLOR	Desert Clay
BODY FINISH	Satin Nickel
WATTAGE	212W
DIMMER	Standard 120V
DIMENSIONS	78"L x 20"W x 6"H
BULB NOT INCLUDED	
LAMP	4 x A19/Medium (E26)/53W/120V Incandescent 4 x A19/Medium (E26)/120V LED



SPEC # TLG69580

COMPANY	PROJECT	FIXTURE TYPE	APPROVED BY	DATE