



BRAND

Artemide

DESCRIPTION

The Skydro Electrified Ceiling Light is made from ABS injection-molded reflective die-cast aluminum with a painted steel bearing structure. Due to the modularity of the system, it is possible to obtain a number of configurations simply by adding extra units. Integrated 29 watt 120 volt LED light source. Dimmable via 2-wire dimming.



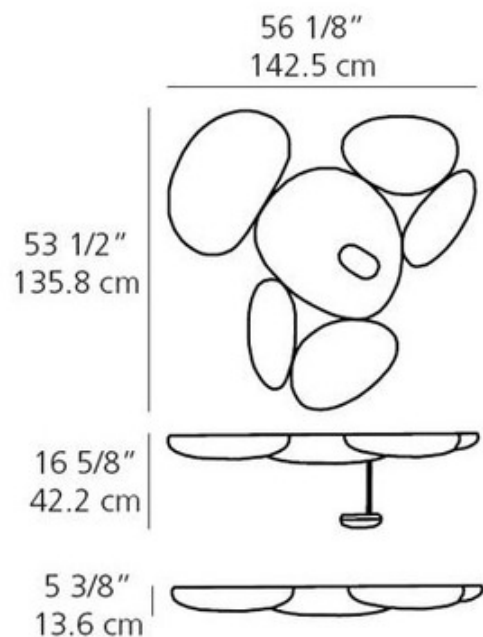
Shown in: Polished Chrome

SHADE COLOR	N/A
BODY FINISH	Polished Chrome
WATTAGE	29W
DIMMER	Low Voltage Electronic
DIMENSIONS	56.13"W x 16.6"H x 53.6"D
INTEGRATED LED MODULE	
LAMP	1 x LED/29W/120V LED

Technical Information

LUMINOUS FLUX	1300 lumens
LUMENS/WATT	44.83
LAMP COLOR	3000K
COLOR RENDERING	93 CRI

SPEC # ART69823



COMPANY	PROJECT	FIXTURE TYPE	APPROVED BY	DATE