



DESIGNER

Vico Magistretti

BRAND

Artemide

DESCRIPTION

Teti Wall or Ceiling Light is composed of translucent polycarbonate with a Polished White finish. One 40 watt max 120 volt medium base bulb is required, but not included. 5.5 inch diameter x 2.75 inch depth. UL listed.

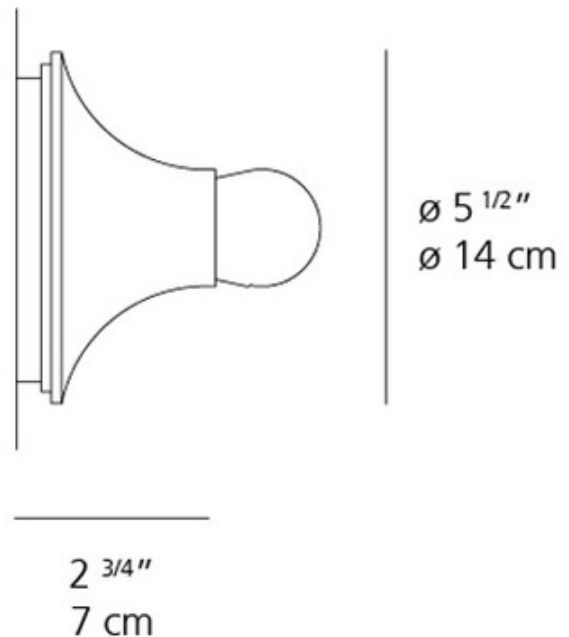


Shown in: Polished White

SHADE COLOR	N/A
BODY FINISH	Polished White
WATTAGE	40W
DIMMER	Standard 120V
DIMENSIONS	5.5"W x 2.75"D
BULB NOT INCLUDED	
LAMP	1 x A19/Medium (E26)/40W/120V Incandescent 1 x A19/Medium (E26)/120V LED

SPEC #

ART69836



COMPANY

PROJECT

FIXTURE TYPE

APPROVED BY

DATE