

Mercury Suspension



Designer: Ross Lovegrove

Description:

Mercury Suspension features a die-cast aluminum body with a reflective unit made of injection-molded thermoplastic material with a metallic finish and stainless steel reflector. Two 27 watt 120 volt LED modules are included. Dimmable with 2-wire dimmers. 43.4 inch diameter x 23.6 inch height x 78.75 inch maximum length. UL listed.

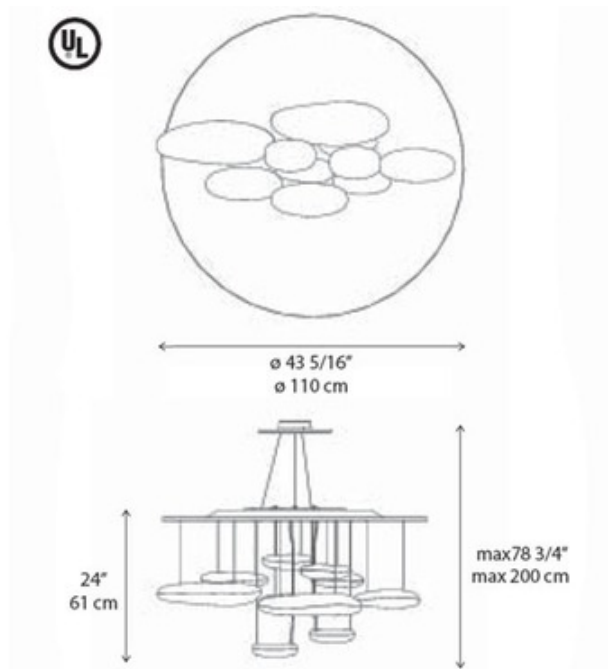
Shown in: Stainless Steel / Polished Chrome

List Price: \$4862.50
Our Price: \$3890.00

Shade Color: Polished Chrome
Body Finish: Stainless Steel
Lamp: 2 x LED/35W/120V LED
Wattage: 70W
Dimmer: Dimmable
Dimensions: 78.75"L x 23.6"H x 43.3"W

Technical Information

Luminous Flux: 2692 lumens
Lumens/Watt: 76.91
Lamp Color: 3000 K
Color Rendering: 93 CRI
Lamp Life: 50000 hours



Product Number: ART70146			
Company:		Fixture Type:	Date: Apr 25, 2018
Project:		Approved By:	

#0112SU-MERCURY-043L1-SIAL

Fax: (773) 883-6131

Phone: 866-954-4489

Address: 1718 W. Fullerton Ave. Chicago IL 60614

www.Lightology.com