

# Bit 1 Wall Light



**Designer:** Ferruccio Laviani

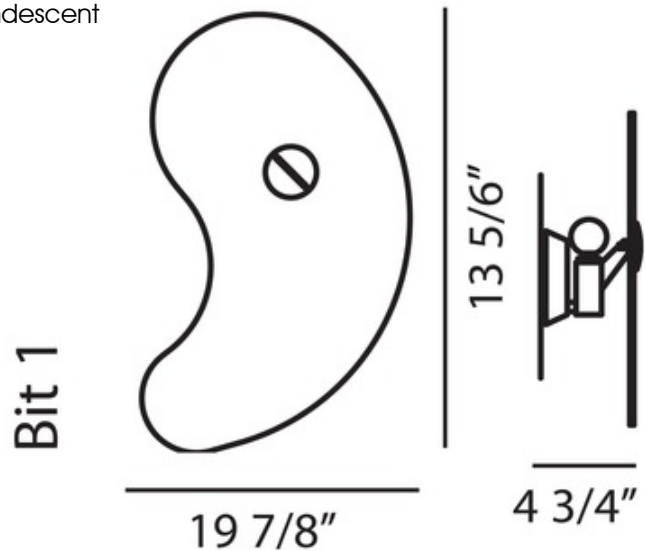
**Description:**

Bit 1 Wall Light has a silkscreen-printed satin glass diffuser, mounted on lacquered metal support. This modern wall light focuses great attention on creativity and taste of innovation, out of the ordinary, and with highest care for details both of design and of functionality. Satin finish in red or white. Available in five different shapes and sizes, all complimenting each other. One 60 watt, 120 volt, G16.5 candelabra base incandescent lamp not included. General light distribution. UL listed. 19.87W x 13.83H x 4.75 inch depth.

Shown in: Satin / White

**List Price:** \$531.25  
**Our Price:** \$425.00

**Shade Color:** White  
**Body Finish:** Satin  
**Lamp:** 1 x G16.5/Candelabra (E12)/60W/120V Incandescent  
**Wattage:** 60W  
**Dimmer:** Incandescent  
**Dimensions:** 13.83"H x 19.87"W x 4.75"D



Product Number: <b>FOS70310</b>			
Company:		Fixture Type:	Date: Mar 17, 2018
Project:		Approved By:	

#0607WS-BIT1-019I-WHST

Fax: (773) 883-6131

Phone: 866-954-4489

Address: 1718 W. Fullerton Ave. Chicago IL 60614

www.lightology.com