



**DESIGNER** Annet van Egmond & William Brand  
**BRAND** Brand Van Egmond

### DESCRIPTION

The Crystal Waters Wall Sconce features a hand sculpted frame of nickel strands in a wide range of shapes that flow like the water leaving a riverbed.

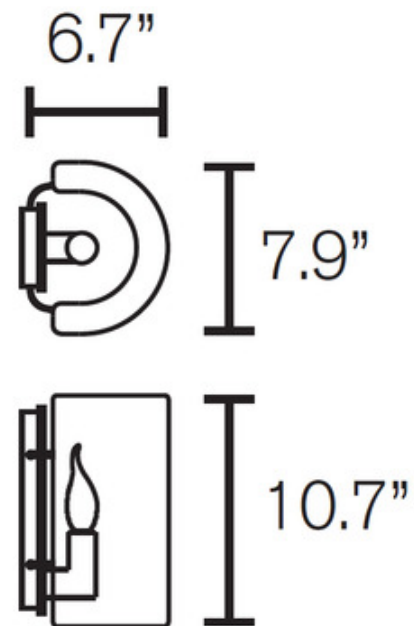


Shown in: Nickel

<b>SHADE COLOR</b>	N/A
<b>BODY FINISH</b>	Nickel
<b>WATTAGE</b>	25W
<b>DIMMER</b>	Standard 120V
<b>DIMENSIONS</b>	7.9"W x 10.6"H x 6.7"D
<b>BULB NOT INCLUDED</b>	
<b>LAMP</b>	1 x B10/Candelabra (E12)/25W/120V Incandescent 1 x B10/Candelabra (E12)/120V LED

SPEC #

BVE70644



COMPANY

PROJECT

FIXTURE TYPE

APPROVED BY

DATE