

Elements of Love H2 Suspension



Designer: Coen Munsters

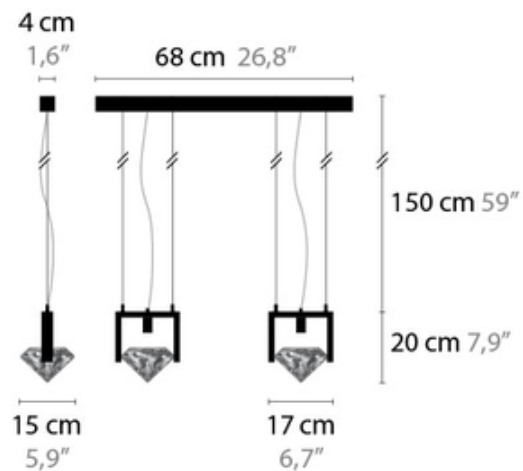
Description:

The Elements Of Love H2 suspension features a square shaped metal armature holding a diamond shaped decorative crystal. Available in Chrome, Matt Nickel, Brilliant Brass, Satin Brass and Bronze finishes. Available in three sizes in addition to a single suspension. 26.8 inches long x 59 inch maximum overall height. Two 35 watt 12V G4 halogen lamps included or two 4.5 watt 2700K LED modules included.

Shown in: Chrome / Crystal

List Price: \$4590.00
Our Price: \$4131.00

Shade Color: Crystal
Body Finish: Chrome
Lamp: 2 x T3/G4 (bipin)/35W/12V Halogen
Wattage: 70W
Dimmer: Dimmable
Dimensions: 26.8"L x 7.9"H x 5.9"W



| | | | |
|---------------------------------|--|---------------|--------------------|
| Product Number: ILF73012 | | | |
| Company: | | Fixture Type: | Date: Apr 25, 2018 |
| Project: | | Approved By: | |

#0928SU-ELEMOL-02711-XXCH

Fax: (773) 883-6131

Phone: 866-954-4489

Address: 1718 W. Fullerton Ave. Chicago IL 60614

www.Lightology.com