

Hope Ceiling Light



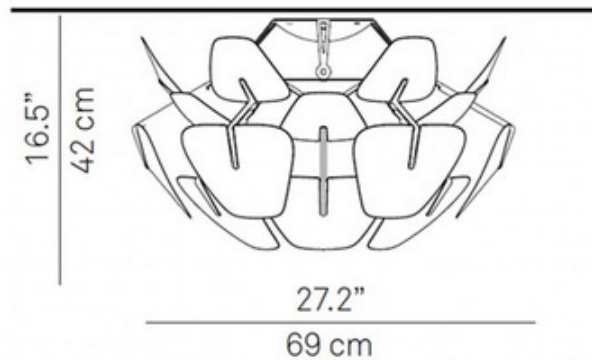
Description:

Hope Ceiling Light features a structure in polished stainless steel and transparent polycarbonate shade. A series of thin polycarbonate Fresnel lenses, created using imprinted micropisms on polycarbonate film, to achieve a dioptic effect similar to glass. Three 60 watt 120V G16.5 candelabra base incandescent lamps not included. 27.2 inches wide x 16.5 inches high. cUL listed.

Shown in: Polished Stainless Steel / Transparent

List Price: \$2266.70
 Our Price: \$1530.02

Shade Color: Transparent
 Body Finish: Polished Stainless Steel
 Lamp: 3 x G16.5/Candelabra (E12)/60W/120V Incandescent
 Wattage: 180W
 Dimmer: Incandescent
 Dimensions: 16.5"H x 27.2"W



Product Number: LPA75436			
Company:		Fixture Type:	Date: Apr 22, 2018
Project:		Approved By:	

#1211CF-HOPE-2711-CLXX

Fax: (773) 883-6131

Phone: 866-954-4489

Address: 1718 W. Fullerton Ave. Chicago IL 60614

www.lightology.com