



**BRAND**

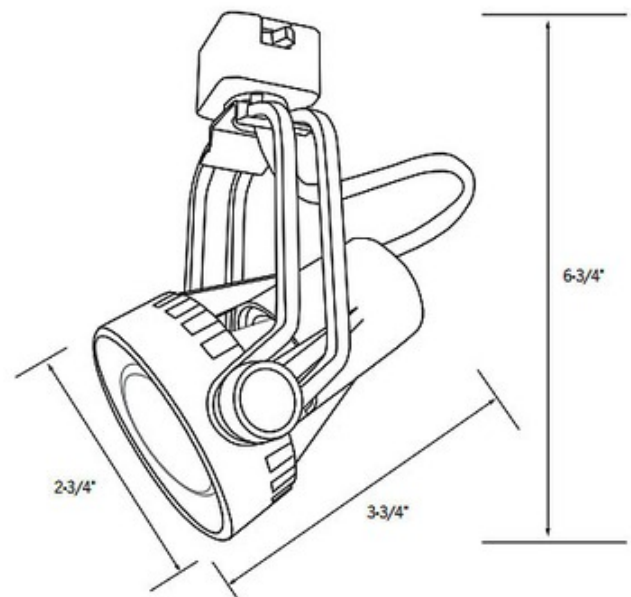
ConTech

**DESCRIPTION**

CTL8016 Saturna Gimbal Track Head features a die cast aluminum housing with open back design. Finish available in Black, White or Silver. Sure-Set yoke for precise aiming without tools and full 350 degree rotation. Equipped with on-off switch and polarity indicator. One 75 watt, 120 volt PAR16 medium base lamp is required, but not included. cCSAus Certified. Suitable for dry locations. 2.75 inch width x 3.75 inch height x 6.75 inch length. For use with ConTech 1-circuit and 2-circuit 120 volt line voltage track systems.



<b>SHADE COLOR</b>	N/A
<b>BODY FINISH</b>	Black
<b>WATTAGE</b>	75W
<b>DIMMER</b>	Dimmable
<b>DIMENSIONS</b>	2.75"W x 6.75"H x 3.75"D
<b>BULB NOT INCLUDED</b>	
<b>LAMP</b>	1 x PAR16/Medium (E26)/75W/120V Halogen



**SPEC #**

CNT78387

COMPANY

PROJECT

FIXTURE TYPE

APPROVED BY

DATE