

NWLED200U1 4 Inch 12W LED Non-IC New Construction

Housing

**Description:**

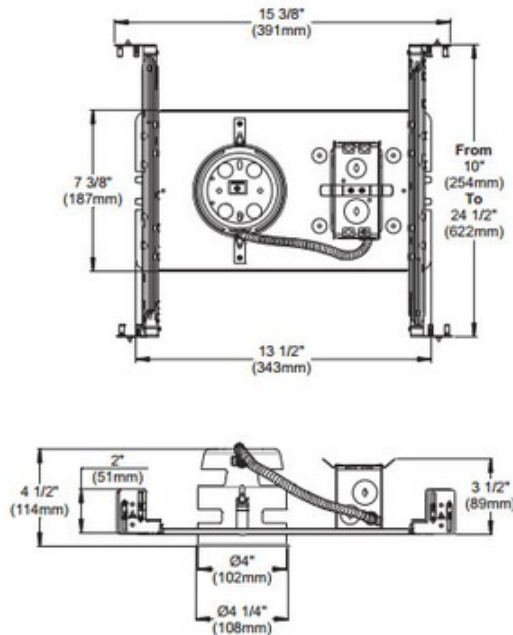
4 inch LED non-IC new construction housing with electronic driver has .051 inch thick galvanized steel, is below ceiling accessible, takes up to .9 inch thick ceiling, and has no light leak. Housing should be at least 3 inches from insulation. Max 12 watts with 2700K or 3000K or 10 watts with 4000K LEDs. For use with compatible trims LEDR200, LEDR210, LEDT200, LEDS200, LEDS210. 13.5 inches long x 7.3 inches wide x 4.5 inches high. Suitable for damp location. UL listed.



Shown in: Galvanized Steel

List Price: \$167.50  
 Our Price: \$41.88

Shade Color: N/A  
 Body Finish: Galvanized Steel  
 Lamp: 1 x LED/12W/120V LED  
 Wattage: 12W  
 Dimmer: Dimmable  
 Dimensions: 13.5"L x 4.5"H x 7.3"W



Product Number: <b>CLT83535</b>			
Company:		Fixture Type:	Date: Apr 26, 2018
Project:		Approved By:	

#0314RE-NW3000-007L1-XXST

Fax: (773) 883-6131

Phone: 866-954-4489

Address: 1718 W. Fullerton Ave. Chicago IL 60614

www.Lightology.com