

**BRAND** Visual Comfort Architectural

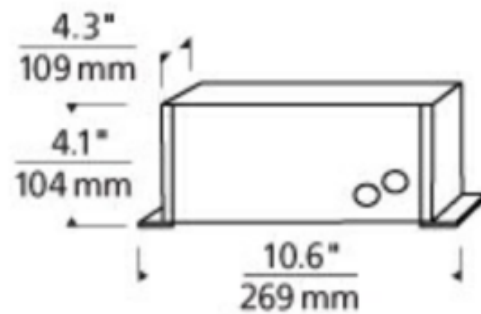
**DESCRIPTION**

This 300 watt 12 volt remote magnetic transformer converts standard 120 or 277 volt line voltage to 12 volts, providing the necessary voltage for powering a Tech Lighting low voltage lighting system. Can be used to power lamps totaling up to 300 watts. This transformer is equipped with fast-acting short circuit and overload protection that will safely turn off the system should a short occur. Once the short is removed, the unit can be reset. Must be installed in a remote, but accessible location such as above the ceiling or a closet, and should be located no more than 20 feet from the required single feed power feed, sold separately. ETL listed.



*Shown in: Black*

<b>SHADE COLOR</b>	N/A
<b>BODY FINISH</b>	Black
<b>WATTAGE</b>	300W
<b>DIMMER</b>	Low Voltage Magnetic
<b>DIMENSIONS</b>	10.6"L x 4.3"W x 4.1"H
<b>LAMP</b>	N/A



**SPEC #** ELE9453

COMPANY	PROJECT	FIXTURE TYPE	APPROVED BY	DATE