

Freejack Aero Head



Designer: Gregory Kay

Description:

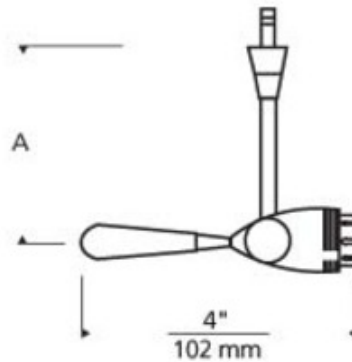
Freejack Aero Head is a sleek, streamlined head available in Antique Bronze, or Satin Nickel finish with removable glass handle. Chrome finish available in 6 inch stem length. Head rotates 360 degrees and pivots 260 degrees to direct the beam. Accessories in a myriad of styles and colors allow you to create the ideal custom element. One 12 volt, GU5.3 MR16 of up to 50 watts is required, but sold separately. See accessory for maximum wattage usage. Includes Freejack connector. Stem available in 3, 6, 12, 18 and 24 inch lengths. Shade accessory required, sold separately. Canopy required if used as a monopoint, sold separately. Pictured with glass shade, sold separately.

SODA GLASS ACCESSORY SOLD SEPARATELY

Shown in: Satin Nickel

List Price: \$162.50
Our Price: \$130.00

Shade Color: N/A
Body Finish: Satin Nickel
Lamp: 1 x MR16/GU5.3 (bipin)/50W/12V Halogen
 1 x MR16/GU5.3 (bipin)/12V LED
Wattage: 50W
Dimmer: Dimmable
Dimensions: 3"L x 4"H



Product Number: TLG9713			
Company:		Fixture Type:	Date: Apr 24, 2018
Project:		Approved By:	

#2002FJ-AERO-003H1-00SN

Fax: (773) 883-6131

Phone: 866-954-4489

Address: 1718 W. Fullerton Ave. Chicago IL 60614

www.Lightology.com