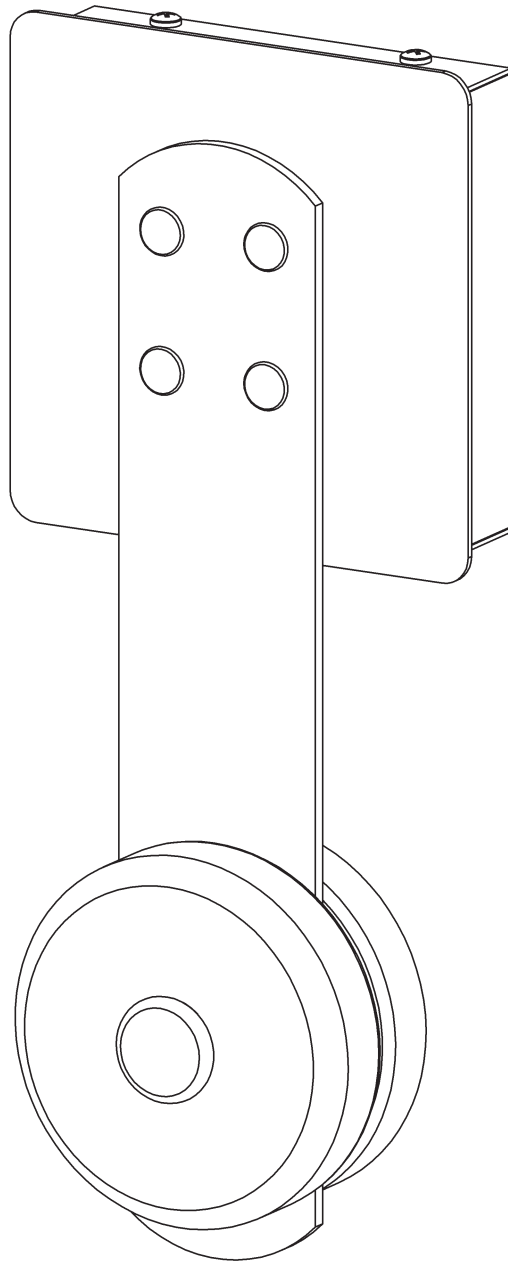


# ASSEMBLY & INSTALLATION INSTRUCTIONS

Snaps Sconce 402031

**B540**



**Component Parts**

- A     Fixture**
- B     Mounting Bracket**
- C     Ground Screw**
- D     Cupped Washer**
- E     #8 Screws (4)**
- F     Leather Strap**
- G     LED Board (2)**
- H     Housing**
- I     Stud**
- J     Knob (2)**
- K     Alabaster (2)**
- L     Male Snap (4)**
- M     Female Snap (4)**



# ASSEMBLY & INSTALLATION INSTRUCTIONS

B540

Snaps Sconce 402031

**CAUTION: FAILURE TO INSTALL THIS FIXTURE PROPERLY MAY RESULT IN SERIOUS PERSONAL INJURY OR DEATH AND PROPERTY DAMAGE.** We recommend installation by a licensed electrician. This product must be installed in accordance with applicable installation code(s), by a person familiar with the construction and operation of the product and the hazards involved.\*

**Caution:** Do not exceed maximum wattage noted on fixture. Use only recommended bulbs with fixture.

Please Note: After installation extra hardware and accessories are possible; our kits are used on multiple products.

## To Install Fixture (Figure 1)

**CAUTION: BE SURE POWER IS OFF AT THE MAIN BREAKER BOX PRIOR TO INSTALLATION.**

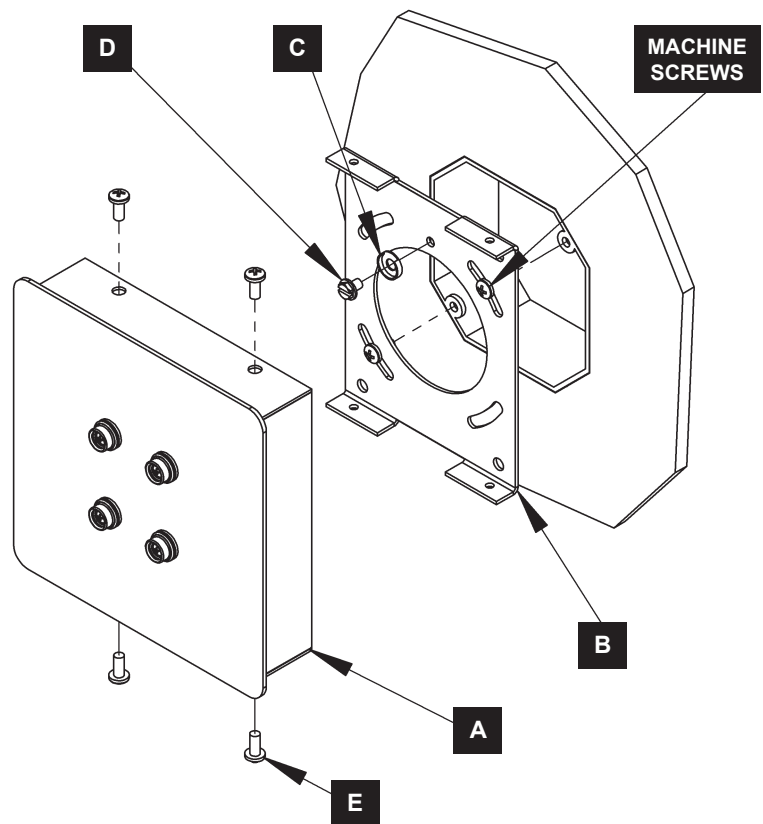
1. Carefully unpack the fixture (A) from the carton.
2. Remove mounting bracket (B) from fixture (A).
3. Thread the wires in the electrical box through the hole in the mounting bracket (B) while moving the bracket into position. Place mounting bracket over electrical box and secure with two machine screws (not provided).

**Note:** A new electric box comes with screws. When replacing a fixture, retain the existing screws for use.

4. Attach a pigtail lead to the mounting bracket (B) using the ground screw (C) and cupped washer (D) found in kit bag.
5. Hold fixture (A) close to wall. Using suitable wire connectors (not provided), connect driver wires to supply wires (white to white and black to black). Connect all ground wires (bare copper or green to bare copper or green).

**CAUTION: MAKE SURE WIRE CONNECTORS ARE TWISTED ON SECURELY, AND NO BARE WIRE IS EXPOSED.**

6. Place fixture (A) over mounting bracket (B). Secure with #8 screws (E) on top and bottom of fixture. Be sure no wires are pinched between fixture and wall.
7. Follow steps on following page for alabaster assembly.

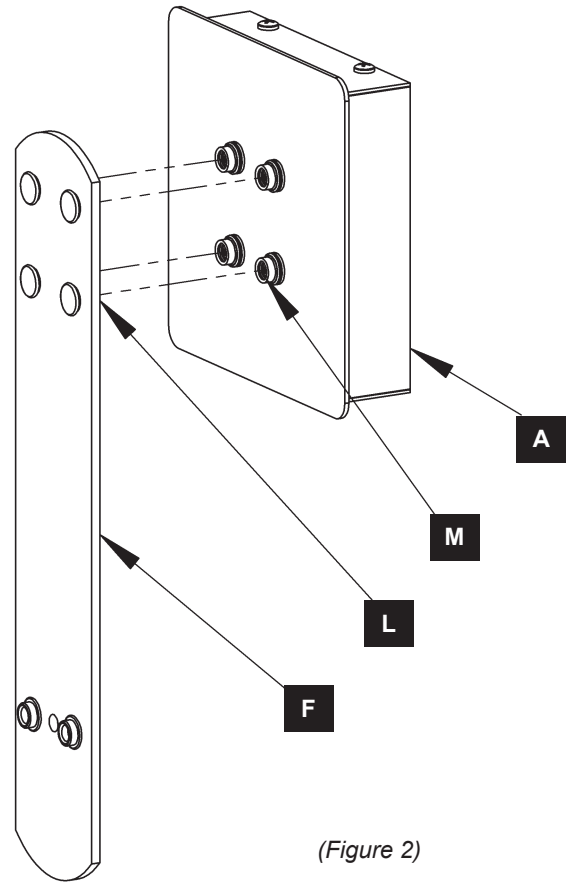


(Figure 1)

Snaps Sconce 402031

## To Install Leather Strap *(Figure 2)*

1. Align female snaps (M) on leather strap (F) with male snaps (L) on fixture (A).
2. Press firmly to lock all snaps (L&M) together.
3. Follow steps on last page to complete installation.



### Product Care & Cleaning:

**Leather:** Leather is a natural product and straps can have variations in color and imperfections in the hides. This leather can be oiled or dyed to enhance the look. For cleaning, wipe entire surface with a soft cloth and cool water to even out any abrasions or stains. Do not spot rub, for it will darken only that area. Occasional use of Aniline Leather Cleaner, Conditioner, & Protector, or Aniline Leather Maintenance Kit is recommended. Other leather cleaners such as saddle soap or household cleaners that may contain harsh chemicals, alcohol, or ink removers should never be used.

**Alabaster:** Use a dry soft cloth or a “feather duster” to remove any dust accumulation. Raw alabaster should not be polished with wax, or cleaned with wet or acidic cleaners.

Snaps Sconce 402031

## To Assemble Alabaster *(Figure 3)*

1. Locate LED stud (I) with knobs (J) attached. Remove one knob (J) and retain for later step.
2. Carefully unpack alabaster (K), housing (H), and LED boards (G).
3. Slide housing (H) over leather strap (F) and center over male snaps (L).
4. Locate (+) side of leather strap. Align (+) side of LED board (G) with leather strap and pop led board onto snaps. Be sure both snaps on board engage fully.
5. Repeat steps for LED board (G) on opposite side, being sure (+) side is aligned with (+) side of leather strap (F).
6. Slide stud (I) through alabaster (K), hole in leather strap (F), and second piece of alabaster (K).

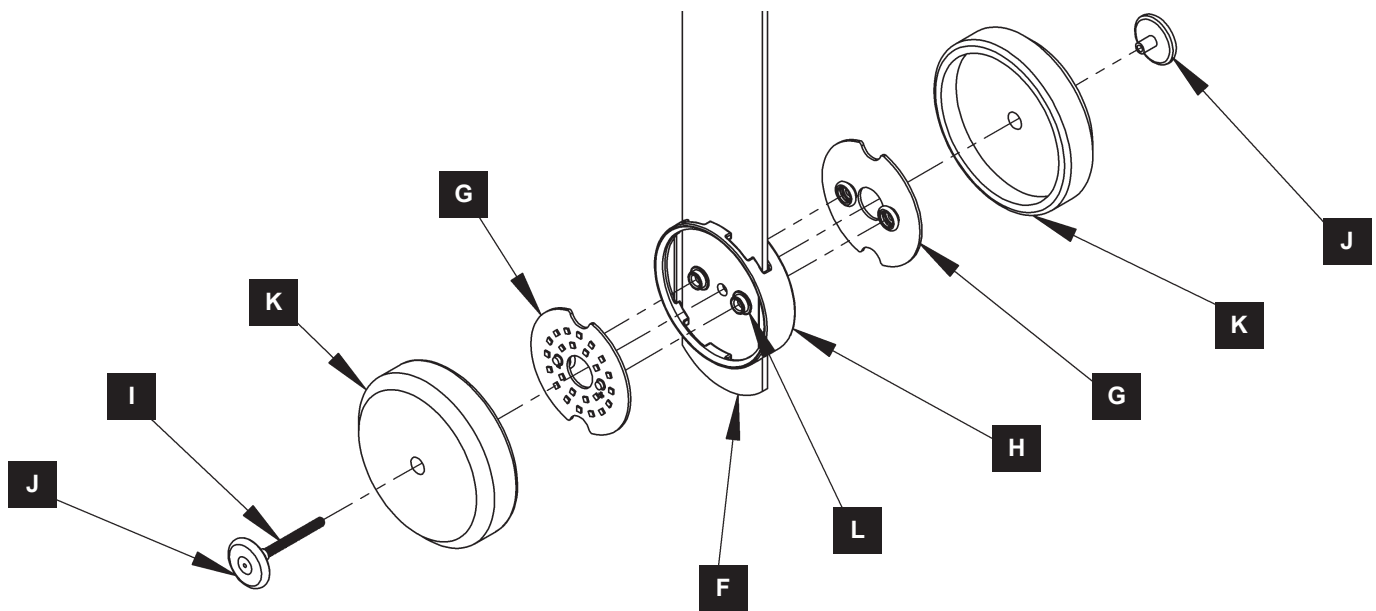
**Note:** Be careful not to harm LED boards (G) when assembling.

7. Thread knob (J) onto stud (I) and tighten to secure alabaster (K) around housing (H).

**Note:** Be careful not to overtighten as this could break alabaster.

8. Restore electricity at main breaker.

**NOTE:** If any LED Boards do not light, remove alabaster and check orientation of (+) and (-) sides of board. LED board might need to be rotated on leather strap.



(Figure 3)

If you need further assistance, or find that you are missing any parts, please contact the dealer from which you purchased this product. We hope you enjoy your fixture!

*\* Hubbardton Forge will not be liable for injury or damage caused by improper installation, lamping or use of this fixture.*