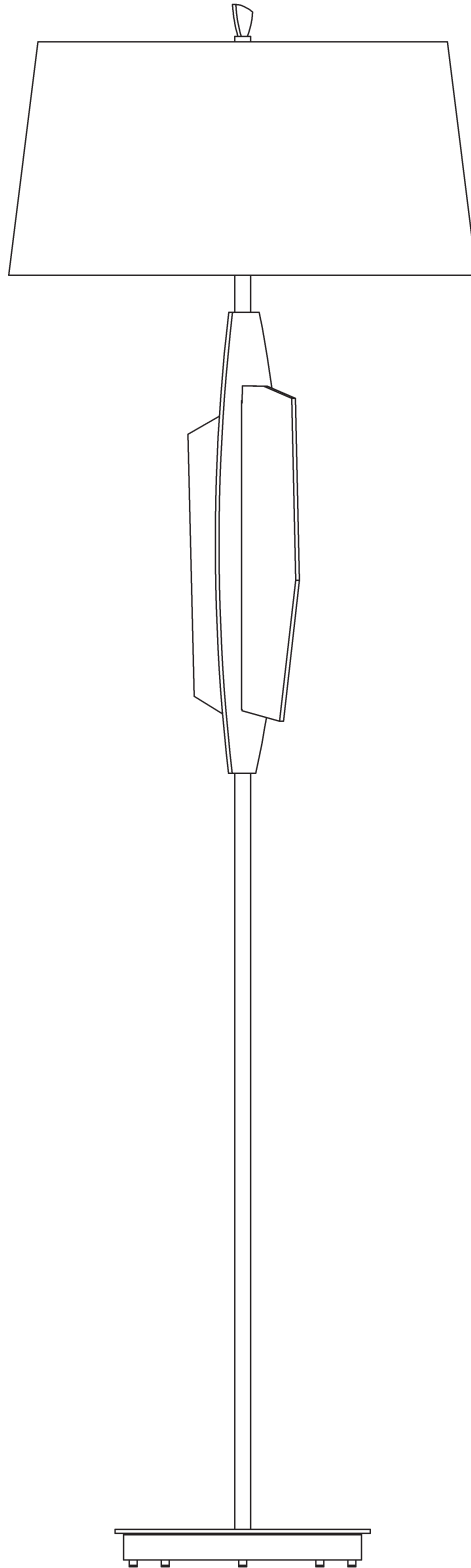


ASSEMBLY & INSTALLATION INSTRUCTIONS

C115

Cambrian Floor Lamp - 241107



HUBBARDTON FORGE.

MODERN AMERICAN BLACKSMITHS | FINE, HAND CRAFTED LIGHTING
CASTLETON, VERMONT USA | HUBBARDTONFORGE.COM

Component Parts

A	Fixture
B	Accent Screw
C	Slate Accent
D	Plate
E	Turn Knob
F	Socket
G	Finial
H	Harp
I	Bulb (Not Included)
J	Locks (2)
K	Harp Holder
L	Shade



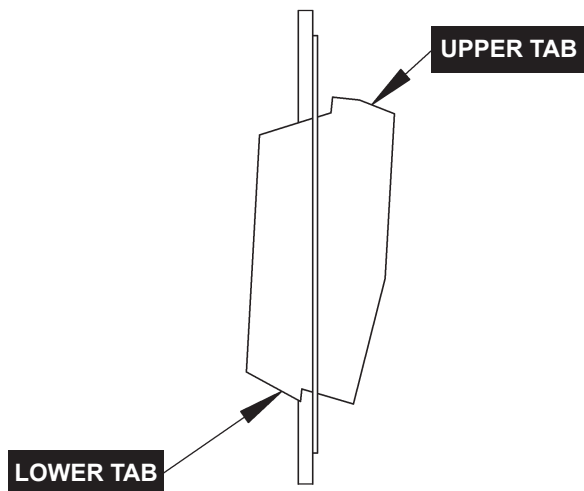
Cambrian Floor Lamp - 241107

CAUTION: FAILURE TO INSTALL THIS FIXTURE PROPERLY MAY RESULT IN SERIOUS PERSONAL INJURY OR DEATH AND PROPERTY DAMAGE. We recommend installation by a licensed electrician. This product must be installed in accordance with applicable installation code(s), by a person familiar with the construction and operation of the product and the hazards involved.*

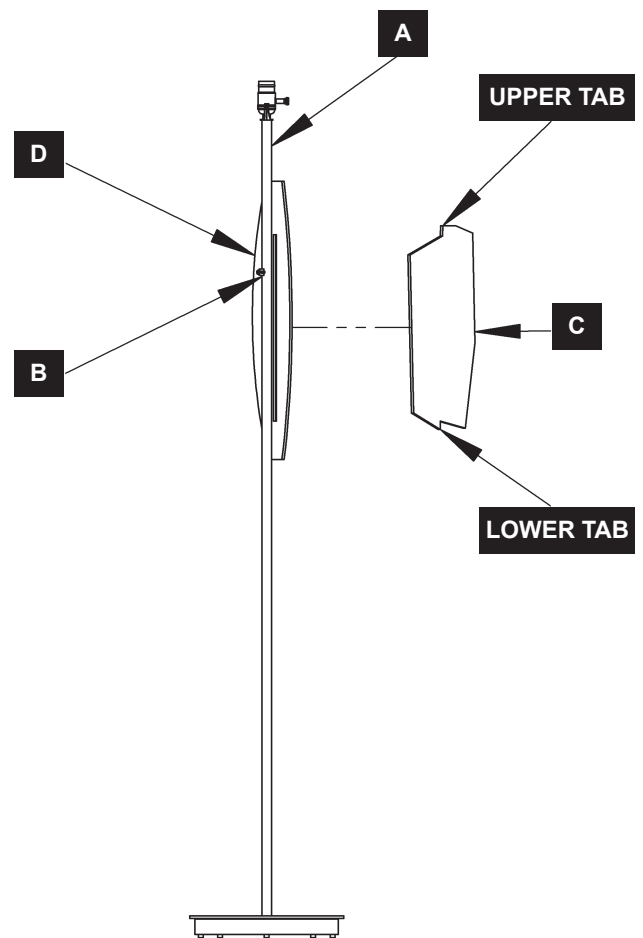
Caution: Do not exceed maximum wattage noted on fixture. Use only recommended bulbs with fixture.

Install Slate (Figures 1 & 2)

1. Carefully unpack the fixture (A) from the carton.
2. Loosen accent screw (B) installed on fixture (A). It is not necessary to remove the screw completely.
3. Slide lower part of slate accent (C) through slot in plate (D).
4. Pivot the slate accent (C) up so the lower tab locks into the lower part of the slot in plate (D).
5. Rotate slate accent (C) until the upper tab is against the upper part of the slot in plate (D). Refer to Figure 2 for the orientation of the upper and lower tabs of accent (C).
6. Tighten accent screw (C) just until the tip comes in contact with the slate (C). Do not overtighten as damage to slate could occur.



(Figure 2)

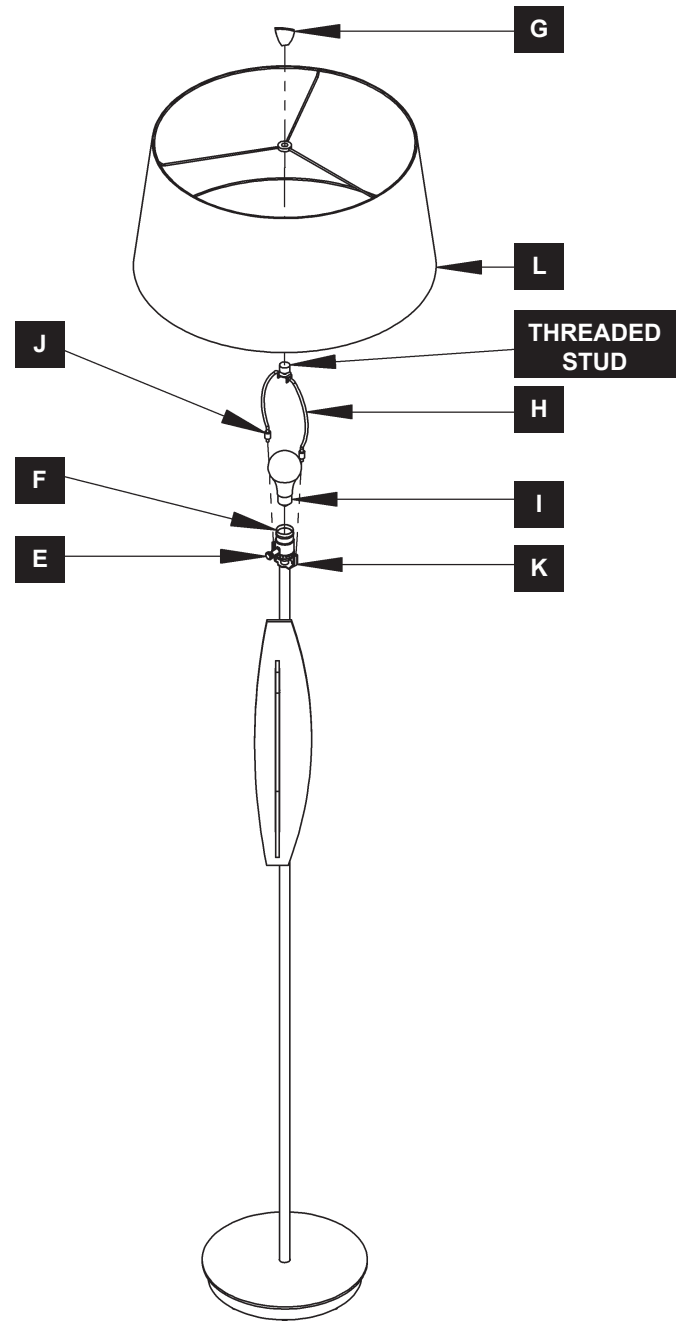


(Figure 1)

Cambrian Floor Lamp - 241107

Complete Assembly *(Figure 3)*

1. Install turn knob (E) onto socket (F).
2. Finial (G) is shipped installed on harp (H). Remove finial (G) from harp (H) and save for later use.
3. Install bulb (I) (Not Included) into socket (F).
4. Squeeze harp (H) together while holding the locks (J) up towards the top of the harp and slip into harp holder (K).
5. Allow locks (J) to slip down harp (H) and onto harp holder (K) to secure harp in place.
6. Set shade (L) onto threaded stud on top of harp (H).
7. Thread finial (G) onto threaded stud on harp (H) and tighten until snug. Be careful not to over tighten.
8. Plug in power cord.



(Figure 3)

If you need further assistance, or find that you are missing any parts, please contact the dealer from which you purchased this product. We hope you enjoy your fixture!

*** Hubbardton Forge will not be liable for injury or damage caused by improper installation, lamping or use of this fixture.**