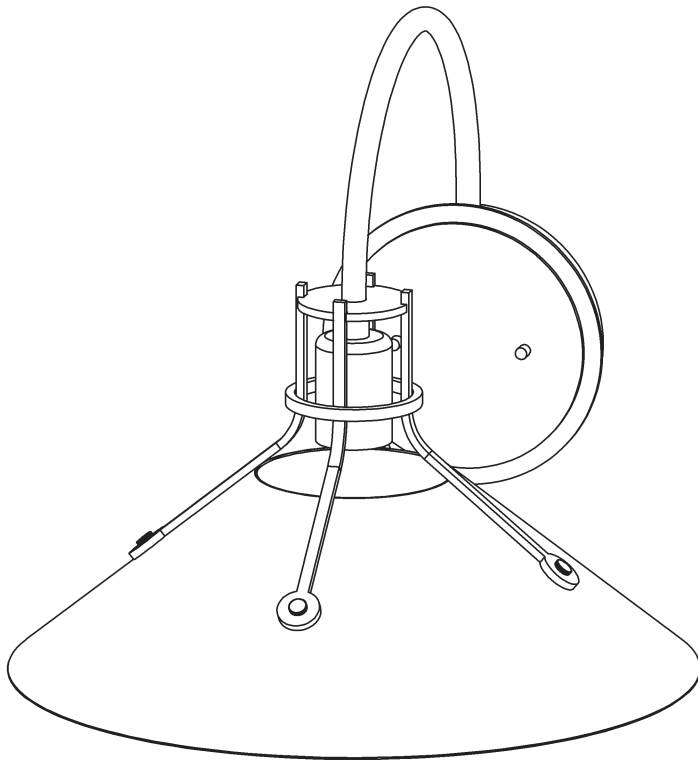


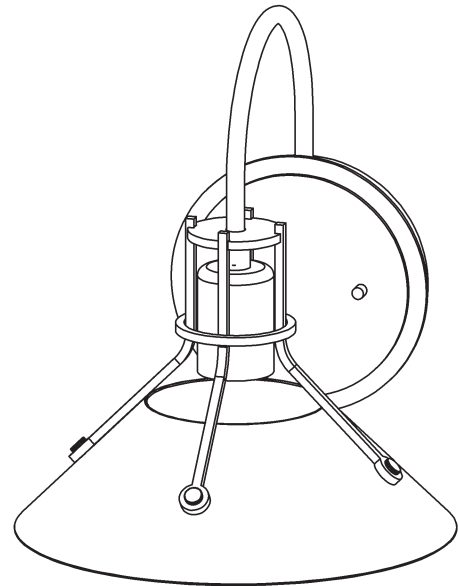
# ASSEMBLY & INSTALLATION INSTRUCTIONS

**B567**

Henry Sconce with Metal Shade 209321 Large & 209323 Small



**209321**



**209323**  
*(Shown in instructions)*



HUBBARDTON FORGE.

MODERN AMERICAN BLACKSMITHS | FINE, HAND CRAFTED LIGHTING  
CASTLETON, VERMONT USA | HUBBARDTONFORGE.COM

# ASSEMBLY & INSTALLATION INSTRUCTIONS

**B567**

Henry Sconce with Metal Shade 209321 Large & 209323 Small

---

## Component Parts

- A**     **Fixture**
- B**     **Crossbar**
- C**     **Threaded Stud (2)**
- D**     **Ground Screw**
- E**     **Knob (2)**
- F**     **Bulb - Not Included**
- G**     **Socket**

# ASSEMBLY & INSTALLATION INSTRUCTIONS

B567

Henry Sconce with Metal Shade 209321 Large & 209323 Small

**CAUTION: FAILURE TO INSTALL THIS FIXTURE PROPERLY MAY RESULT IN SERIOUS PERSONAL INJURY OR DEATH AND PROPERTY DAMAGE.** We recommend installation by a licensed electrician. This product must be installed in accordance with applicable installation code(s), by a person familiar with the construction and operation of the product and the hazards involved.\*

**Caution:** Do not exceed maximum wattage noted on fixture. Use only recommended bulbs with fixture.

*Please Note: After installation extra hardware and accessories are possible; our kits are used on multiple products.*

## To Install Fixture (Figure 1)

**CAUTION: BE SURE POWER IS OFF AT THE MAIN BREAKER BOX PRIOR TO INSTALLATION.**

1. Carefully unpack fixture (A).
2. Thread studs (C) into the appropriate holes in the crossbar (B) to match the holes in the fixture (A).
3. Thread wires in electrical box through center hole in crossbar (B) while moving crossbar into position. Using (2) #8 machine screws (not provided), attach crossbar (B) securely to the junction box.

**Note:** A new electric box comes with screws. When replacing an existing fixture, retain screws for use with the new fixture

4. Secure a pigtail lead to crossbar (B) using green ground screw (D).
5. Hold the fixture (A) close to the crossbar (B).
6. Using suitable wire connectors (not provided) connect fixture wires to supply wires (white to white, or ribbed and black to black, or smooth). Connect all ground wires (bare copper or green to bare copper or green).

**CAUTION: MAKE SURE WIRE CONNECTORS ARE TWISTED ON SECURELY AND NO BARE WIRES ARE EXPOSED.**

7. Carefully tuck all wires behind the fixture (A) and inside the crossbar (B).
8. Align holes in fixture (A) with threaded studs (C). Thread a knob (E) onto each threaded stud (C) and hand tighten to secure fixture (A) to wall.

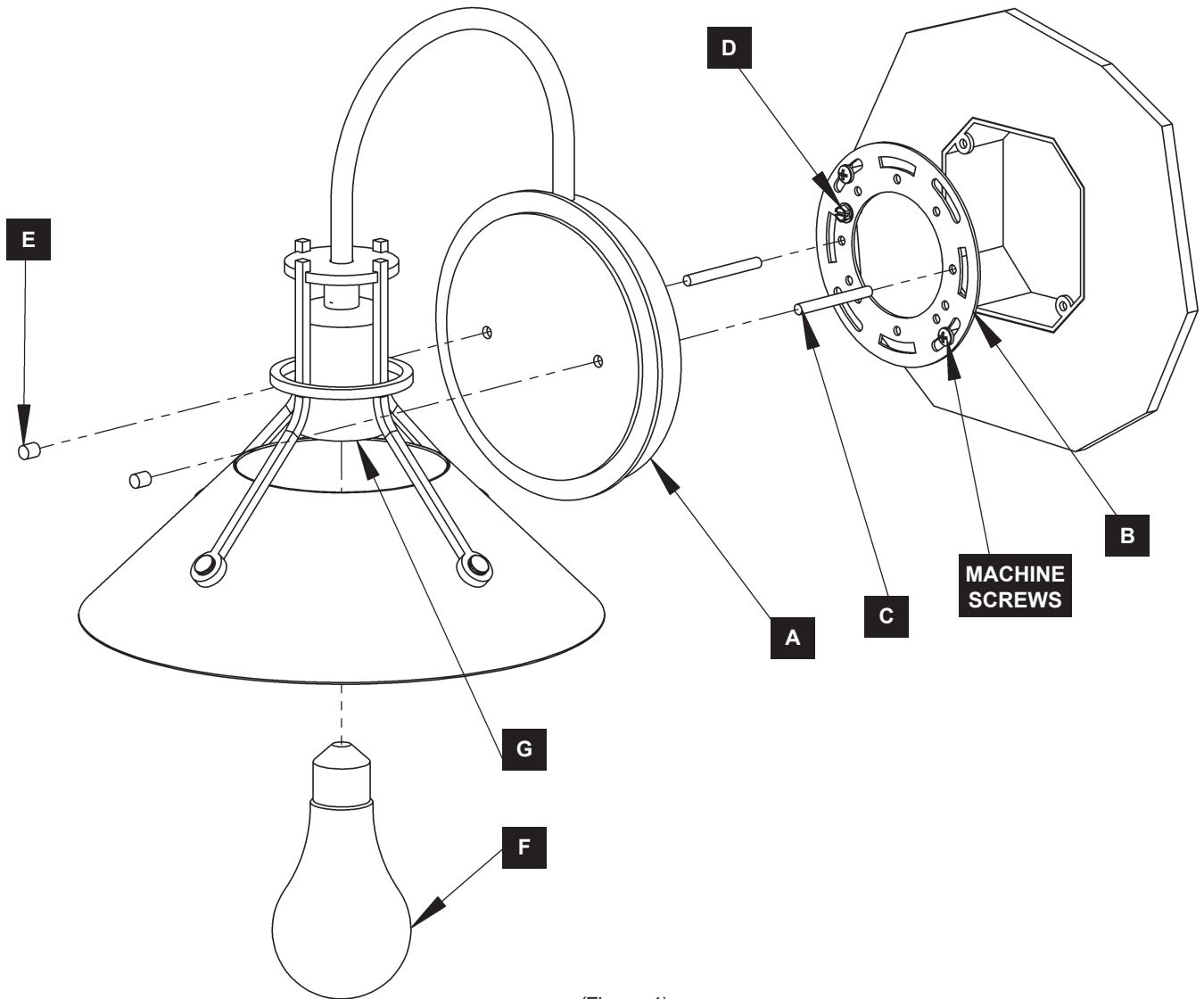
**Note:** Be sure threaded studs (C) are fully seated in the knobs (E).

9. Screw bulb (F) (not included) into socket (G).
10. Restore electricity at main breaker.

# ASSEMBLY & INSTALLATION INSTRUCTIONS

**B567**

Henry Sconce with Metal Shade 209321 Large & 209323 Small



(Figure 1)

If you need further assistance, or find that you are missing any parts, please contact the dealer from which you purchased this product.  
We hope you enjoy your fixture!

**\* Hubbardton Forge will not be liable for injury or damage caused by improper installation, lamping or use of this fixture.**