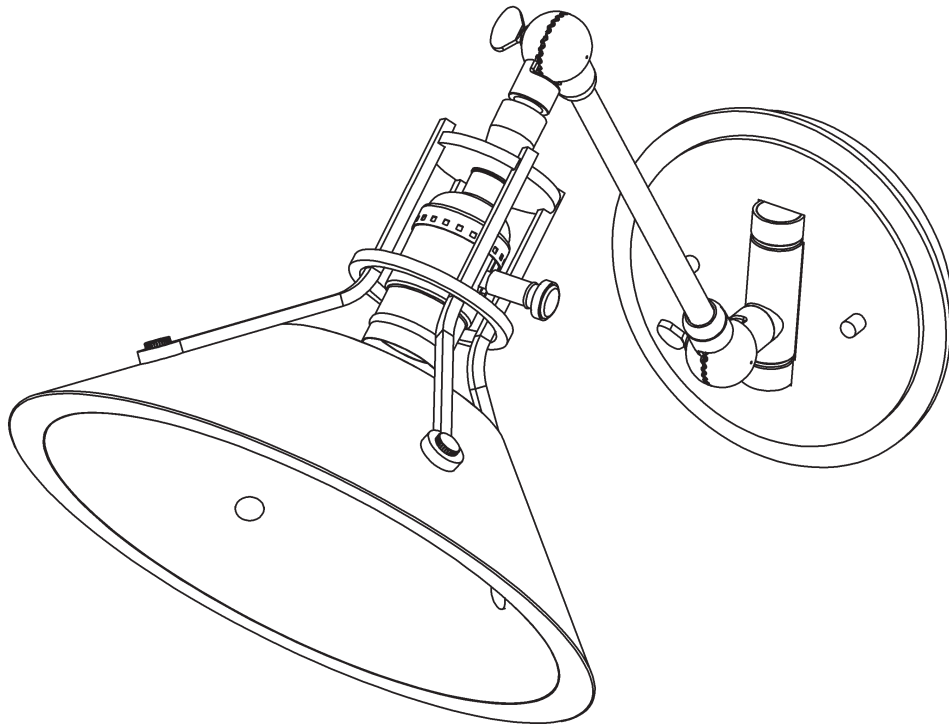


# ASSEMBLY & INSTALLATION INSTRUCTIONS

Henry Swing Arm Sconce Glass Shade 209326

**B566**



**Component Parts**

- A      Fixture**
- B      Crossbar**
- C      Ground Screw**
- D      Threaded Stud (2)**
- E      Knob (2)**
- F      Socket**
- G      Turn knob**
- H      Glass Screw (4)**
- I      Glass Nut (4)**
- J      Glass**
- K      Bulb (not included)**



# ASSEMBLY & INSTALLATION INSTRUCTIONS

B566

Henry Swing Arm Sconce Glass Shade 209326

**CAUTION: FAILURE TO INSTALL THIS FIXTURE PROPERLY MAY RESULT IN SERIOUS PERSONAL INJURY OR DEATH AND PROPERTY DAMAGE.** We recommend installation by a licensed electrician. This product must be installed in accordance with applicable installation code(s), by a person familiar with the construction and operation of the product and the hazards involved.\*

**Caution:** Do not exceed maximum wattage noted on fixture. Use only recommended bulbs with fixture.

*Please Note: After installation extra hardware and accessories are possible; our kits are used on multiple products.*

## To Install Fixture (Figures 1)

**CAUTION: BE SURE POWER IS OFF AT THE MAIN BREAKER BOX PRIOR TO INSTALLATION.**

1. Carefully unpack the fixture (A) from the carton.
2. Thread two studs (D) into the appropriate holes in the crossbar (B) that align with fixture (A) and desired orientation.
3. Using two machine screws (not provided) attach crossbar (B) to the electric box using outer oval holes to orient fixture.

**Note:** A new electric box comes with screws. When replacing a fixture, retain the existing screws for use with the new fixture.

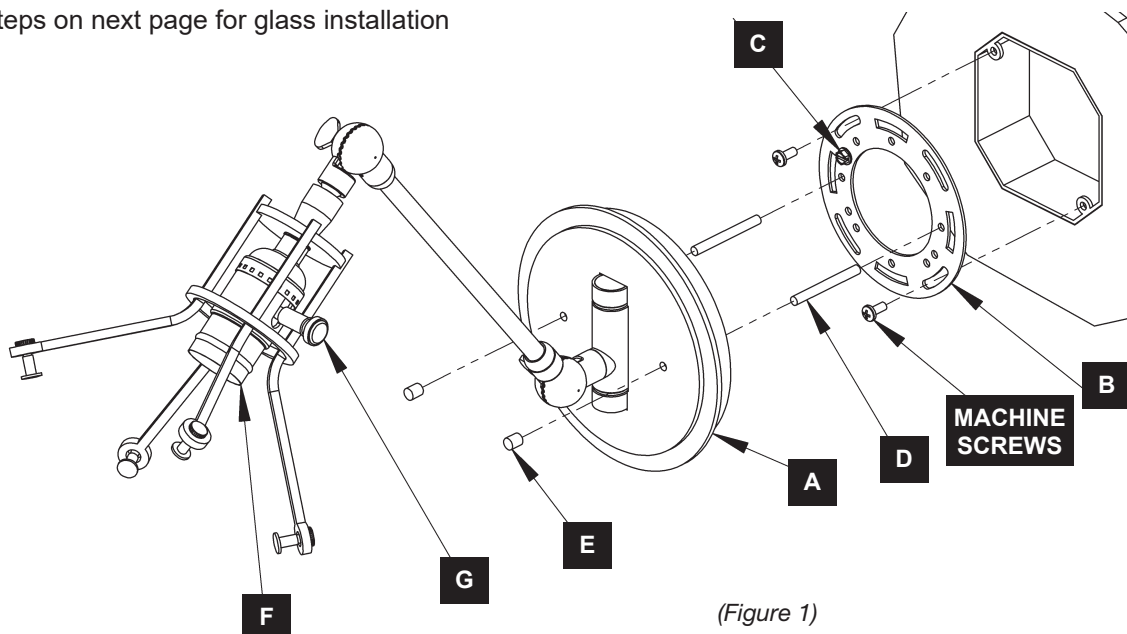
4. Adjust the studs (D) to proper length to ensure fixture will fit snugly against the wall.
5. Using suitable wire connectors (not provided) connect fixture wires to supply (white to white and black to black). Attach a pigtail lead to the crossbar ground screw (C). Connect all ground wires (bare copper or green to bare copper or green).

**CAUTION: MAKE SURE WIRE CONNECTORS ARE TWISTED ON SECURELY, AND NO BARE WIRE IS EXPOSED.**

6. Carefully tuck all wires behind fixture, push fixture firmly against the wall. Secure by threading knobs (E) onto threaded studs (D).

**Note:** Be sure no wires are pinched between the wall and the fixture. Be sure threaded studs are fully seated in knobs.

7. Install turn knob (G) onto socket (F).
8. Follow steps on next page for glass installation



(Figure 1)

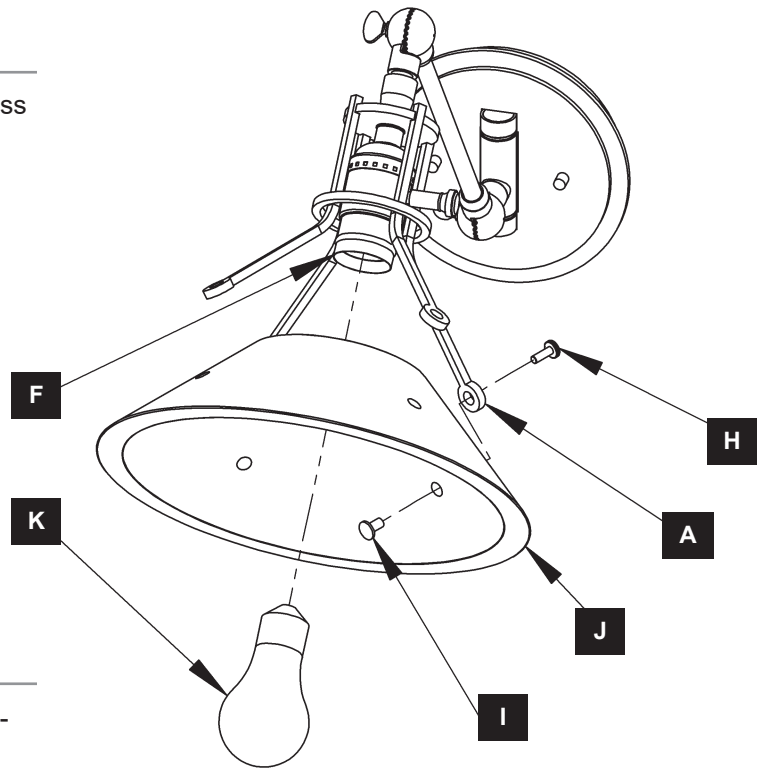
# ASSEMBLY & INSTALLATION INSTRUCTIONS

B566

Henry Swing Arm Sconce Glass Shade 209326

## To Complete Install (Figures 2 & 3)

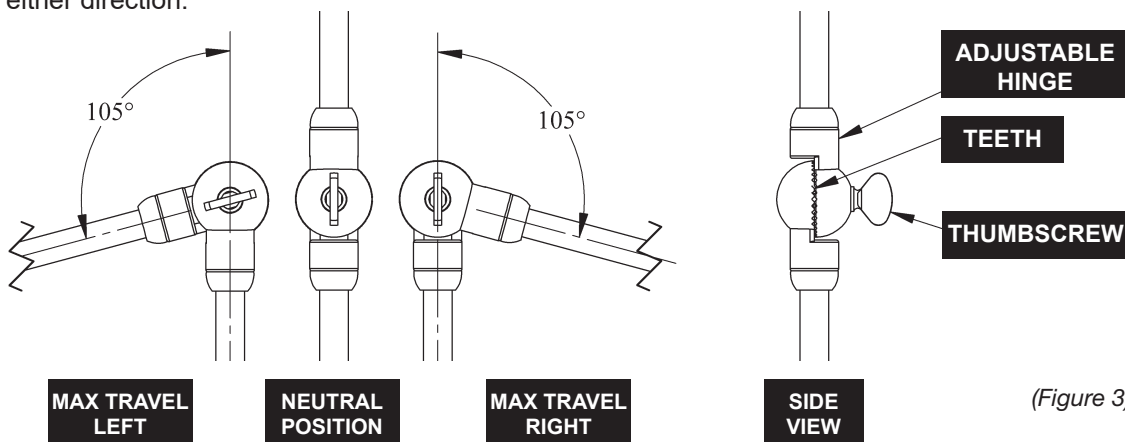
1. Glass hardware (H,I) is shipped installed. Remove glass hardware (H,I) from fixture (A) arms.
2. Carefully unpack glass (J). Place glass (J) onto fixture (A) and secure with glass screw (H) and glass nut (I).
3. Install bulb (K) (not included) into socket (F).
4. Restore electricity at main breaker.



(Figure 2)

## About Adjustable Hinges:

1. Each adjustable hinge has internal teeth, and a thumb-screw lock.
2. To adjust fixture, loosen thumbscrew a couple turns while supporting weight of fixture.
3. Set hinge in desired position, making sure to engage teeth on both side of hinge.
4. Hand tighten thumbscrew to lock hinge. From a neutral position, the hinges have an adjustment range of 105 degrees in either direction.



(Figure 3)

If you need further assistance, or find that you are missing any parts, please contact the dealer from which you purchased this product. We hope you enjoy your fixture!

*\* Hubbardton Forge will not be liable for injury or damage caused by improper installation, lamping or use of this fixture.*