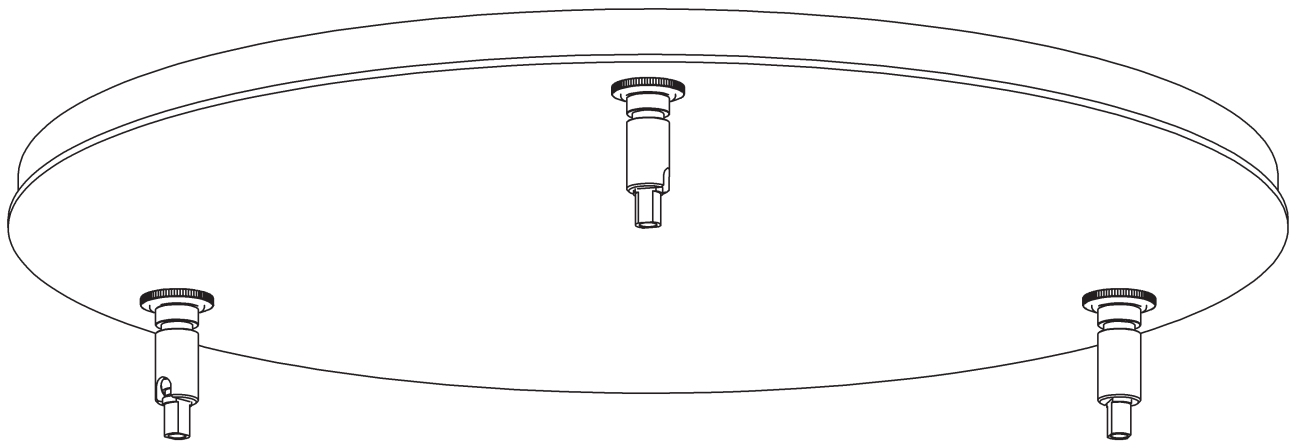


ASSEMBLY & INSTALLATION INSTRUCTIONS

A1041

ROUND CANOPY, 3 LIGHT, 13CNMULT31



ASSEMBLY & INSTALLATION INSTRUCTIONS

A1041

ROUND CANOPY, 3 LIGHT, 13CNMULT31

Component Parts

- A Canopy**
- B Canopy Plate**
- C Hex Nuts (8)**
- D Anchors**
- E #10 Screws**
- F Bracket/Swivel Assy (2)**
- G Canopy Ring (3)**
- H Pendant Stem (3)**
- I Safety Cable (2)**
- J Ground Wire**



ASSEMBLY & INSTALLATION INSTRUCTIONS

A1041

ROUND CANOPY, 3 LIGHT, 13CNMULT31

CAUTION: FAILURE TO INSTALL THIS FIXTURE PROPERLY MAY RESULT IN SERIOUS PERSONAL INJURY OR DEATH AND PROPERTY DAMAGE. We recommend installation by a licensed electrician. This product must be installed in accordance with applicable installation code(s), by a person familiar with the construction and operation of the product and the hazards involved.*

Caution: Do not exceed maximum wattage noted on fixture. Use only recommended bulbs with fixture.

Please Note: After installation extra hardware and accessories are possible due to our kits are used on multiple products and options.

To Install Canopy (Figure 1 & 2)

CAUTION: BE SURE POWER IS OFF AT THE MAIN BREAKER BOX PRIOR TO INSTALLATION.

1. Carefully unpack canopy assembly (A & B) from carton.
2. Separate canopy plate (B) from canopy (A).
3. Remove 6 nuts (C) from studs in canopy (A), retain for later use.
4. Center canopy (A) over the electrical box. Be sure to line up oval slots in canopy (A) with mounting holes in electrical box. With a pencil, mark the location of mounting holes needing anchors on ceiling. Set canopy (A) aside.
5. Drill 1/4" holes in the locations marked on the ceiling. Place the tapered end of the anchors (D) into the holes and gently tap them flush to the ceiling using a light weight hammer.

CAUTION: *Be sure at least two machine screws attach canopy (A) to a structural member in the ceiling. Be aware that different materials and/or construction methods may require different fasteners. If in doubt, contact a qualified electrician.*

6. Thread the wires in the electrical box through the hole in canopy (A) while moving canopy (A) into position. Using two machine screws (not provided) fasten canopy (A) to the electric box.

Note: *A new electric box comes with screws. When replacing a fixture, retain the existing screws for use with the new fixture.*

7. Install #10 screws (E) into holes with anchors (D). Be sure not to over tighten and strip the anchor (D).
8. Remove nuts (C) from the canopy plate (B). Raise canopy plate (B) up towards the canopy (A). Attach safety cables (J) to canopy plate (B), secure with nuts (C).



HUBBARDTON FORGE.

MODERN AMERICAN BLACKSMITHS | FINE, HAND CRAFTED LIGHTING
CASTLETON, VERMONT USA | HUBBARDTONFORGE.COM

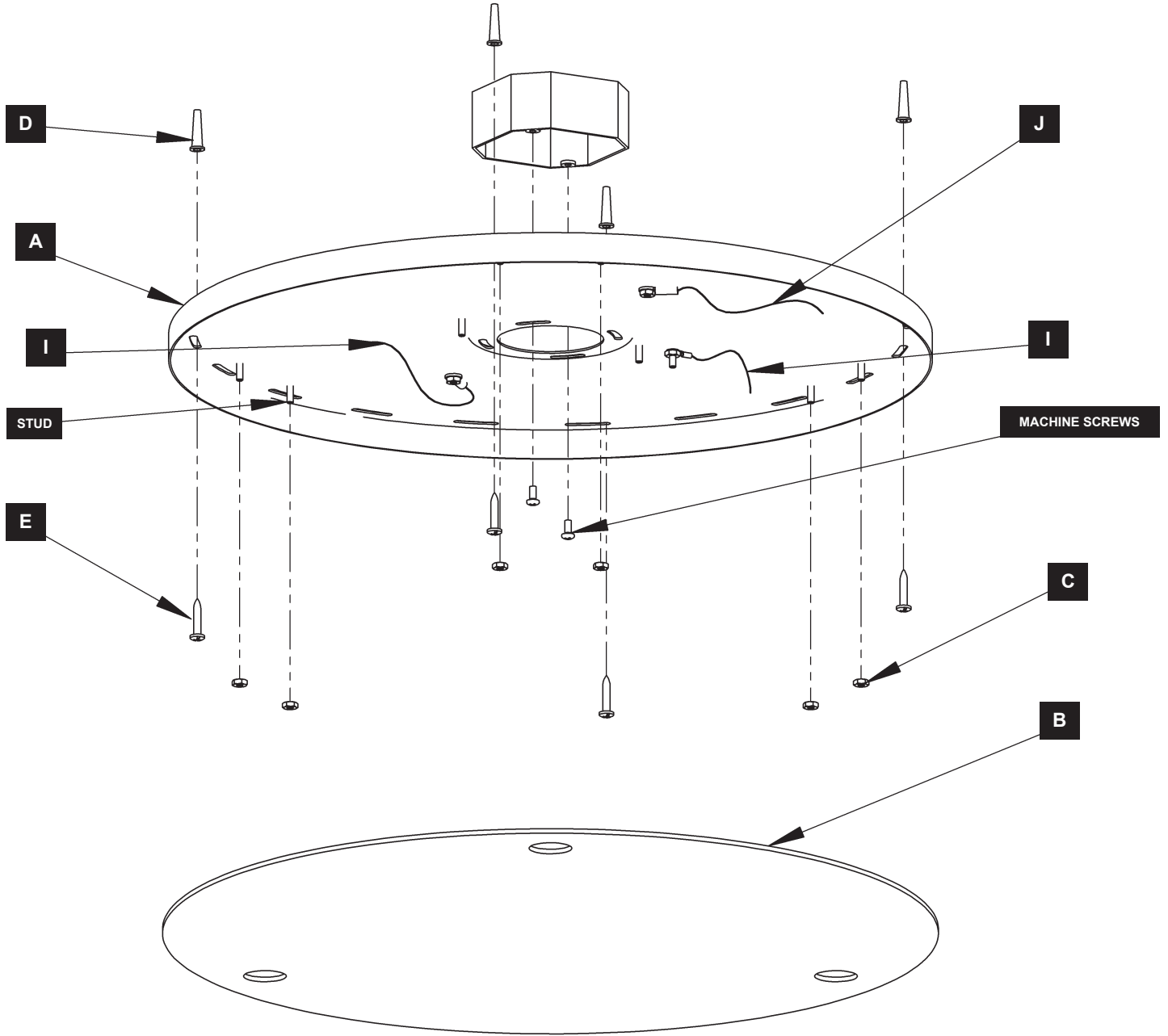
57278

3 OF 6

ASSEMBLY & INSTALLATION INSTRUCTIONS

A1041

ROUND CANOPY, 3 LIGHT, 13CNMULT31



(Figure 1)



HUBBARDTON FORGE.

MODERN AMERICAN BLACKSMITHS | FINE, HAND CRAFTED LIGHTING
CASTLETON, VERMONT USA | HUBBARDTONFORGE.COM

ASSEMBLY & INSTALLATION INSTRUCTIONS

A1041

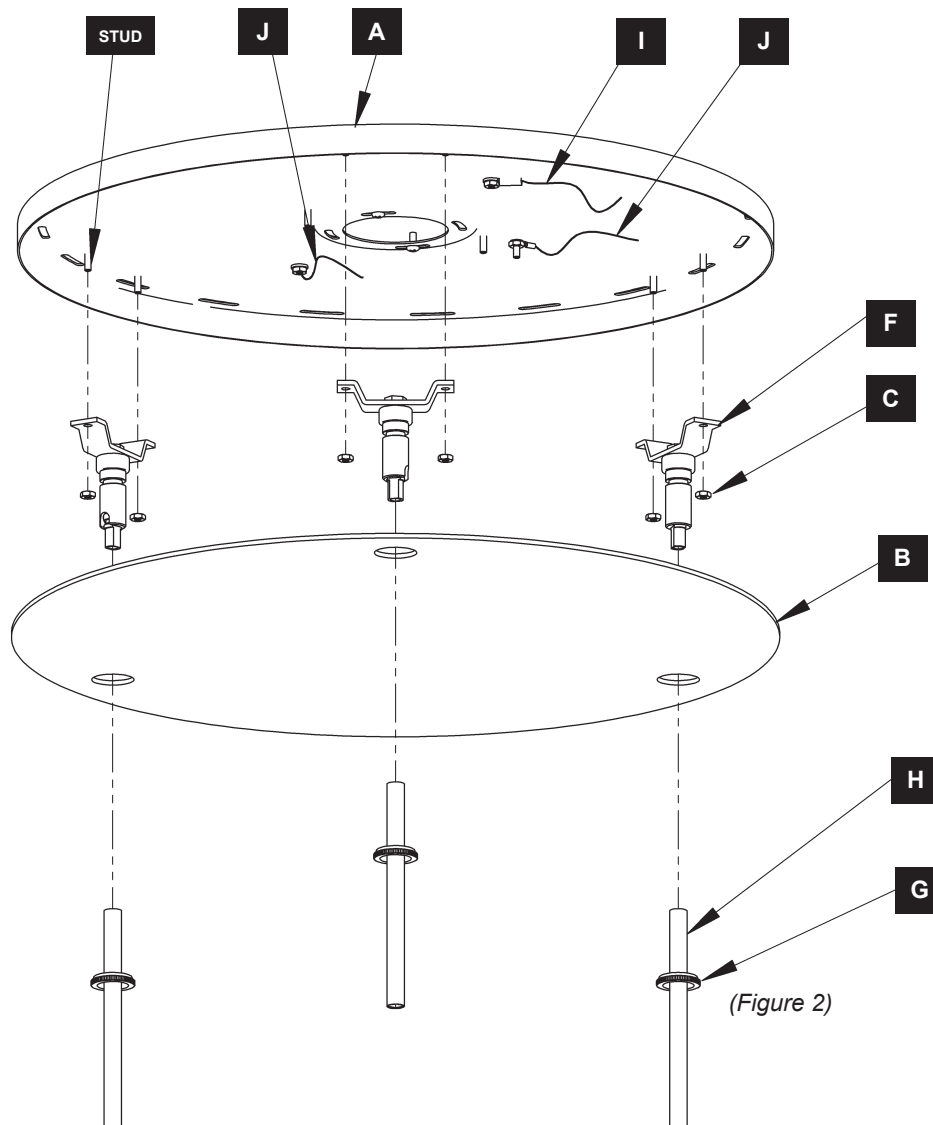
ROUND CANOPY, 3 LIGHT, 13CNMULT31

9. Locate bracket/swivel assemblies (F) in kit bag. Remove canopy rings (G) from assemblies and set aside for use later.
10. Locate fixtures to be installed on canopy. Refer to instructions for individual pendants to determine appropriate stem kit components required to achieve desired overall height. Assemble fixtures to the point of adding stem kits, do not install swivel supplied with individual pendants.
11. Slide a canopy ring (G) over each pendant stem (H).
12. Slide pendant stem (H) through appropriate hole in canopy plate (B).
13. Attach bracket/swivel assembly (F) to pendant stem (H).
14. Raise pendant up to canopy and secure bracket (F) to canopy (A) using hex nuts (C) from step 3. Tighten securely.
15. Repeat for remaining pendants.

ASSEMBLY & INSTALLATION INSTRUCTIONS

A1041

ROUND CANOPY, 3 LIGHT, 13CNMULT31



16. Using suitable wire connectors (not provided) connect fixture wires to supply (white/ribbed to white and black/smooth to black). Connect all ground wires (bare copper or green to bare copper or green) to ground wire (J) attached to canopy (A).

CAUTION: MAKE SURE WIRE CONNECTORS ARE TWISTED ON SECURELY, AND NO BARE WIRE IS EXPOSED.

CAUTION: BE SURE NO WIRES ARE PINCHED BETWEEN CANOPY (A) AND THE CANOPY PLATE (B).

17. Raise canopy plate (B) and secure using (3) canopy rings (G).
18. Refer to instructions for individual pendants to complete install.

If you need further assistance, or find that you are missing any parts, please contact the dealer from which you purchased this product. We hope you enjoy your fixture!

* Hubbardton Forge will not be liable for injury or damage caused by improper installation, lamping or use of this fixture.