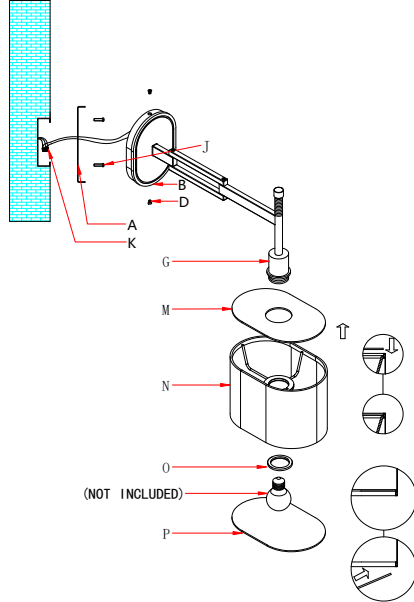


ASSEMBLY INSTRUCTIONS

ITEM DESCRIPTION:

ITEM NO.: GADWC05	NAME: STITCH SCONCE
MATERIAL TYPE: METAL	FINISH: ANTIQUE BRSS
SOCKET TYPE: : E26	SOCKET QTY: 1
BULB WATTAGE: TYPE A 60W	
VOLTAGE: 100V-120V	ITEM NET WEIGHT:4.4LBS



PARTS INCLUDED:

Mounting Plate (A)	Qty: 1PC
Back Plate(B)	Qty: 1PC
Canopy Screw(D)	Qty:2PCS
Mounting Screw(J)	Qty:2PCS
Plastic Wire Connector(K)	Qty:3PCS
Socket(G)	Qty:1PC
Top Acrylic Diffuser(M)	Qty:1PC
Lamp shade(N)	Qty:1PC
Socket Ring(O)	Qty:1PC
Bottom Acrylic Diffuser(P)	Qty:1PC

HARDWARE INCLUDED:

Mounting Screws	Qty: 2PCS
Canopy Screws	Qty: 2PCS
Green Ground Screw	Qty: 1PC
Plastic Wire Connector	Qty: 3PCS

TOOLS NEEDED (Not Included):

1 Screwdriver

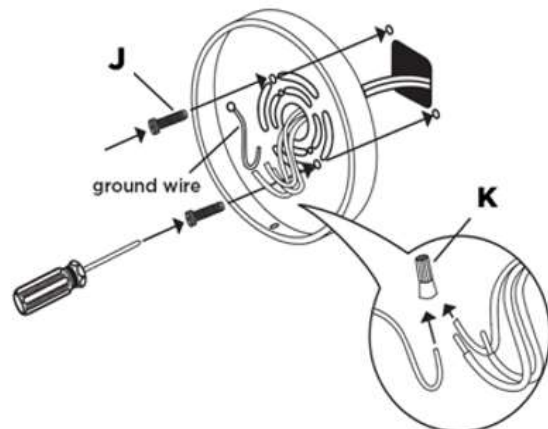
These instructions are provided for safety. It is very important that they are read carefully and completely before beginning installation.

We strongly suggest that all hard-wired fixtures must be installed by a professional electrician.



TO ASSEMBLE:

- Shut off the main electrical supply from the main fuse box/circuit breaker.
 - Carefully unpack all fixture parts and hardware and lay them on a soft surface for assembly.
 - Gently pull wiring down from junction box and allow to hang.
 - Remove the mounting plate(A) from the Back Plate(B) by loosening the canopy screw (D) using a Phillips screwdriver.
 - Attach the mounting plate (A) to wall or junction box using mounting screws(J), and tighten it with a screwdriver.
 - Pull the electrical cord of "J-box"through the exit hole of the mounting plate(A)
 - Connect ground wire from wall to ground wire from lamp using wire caps (K).
 - Attach house wire to lamp wires as shown. Fasten the pairs together with a wire caps
DO NOT REVERSE THE HOT AND NEUTRAL CONNECTIONS OR SAFETY WILL BE COMPROMISED.
 - Attach the back plate (B) to the mounting plate (A) using 2 canopy screws (D), and tighten them with a screwdriver.
 - Please pass the top acrylic Diffuser (M) through the socket(G).Put the lamp shade(N) on the socket(G) and secure it with the Socket Ring(O). Finally, place the top acrylic Diffuser(M) on the shelf above the lamp shade(N).
 - Insert 1 type A 60W bulb (or/CFL 12W or/LED 10W, not included) into the socket (G).
- DO NOT EXCEED SPECIFIED MAX WATTAGE.
- Angle the bottom acrylic Diffuser(P) into lamp shade(N) and place it on the shelf in the lower ring of the lamp shade(N).
 - Restore power to junction box and test fixture.



CARE INSTRUCTIONS:

Wipe with a soft, dry cloth. To protect finish, avoid the use of chemicals and household cleaners.