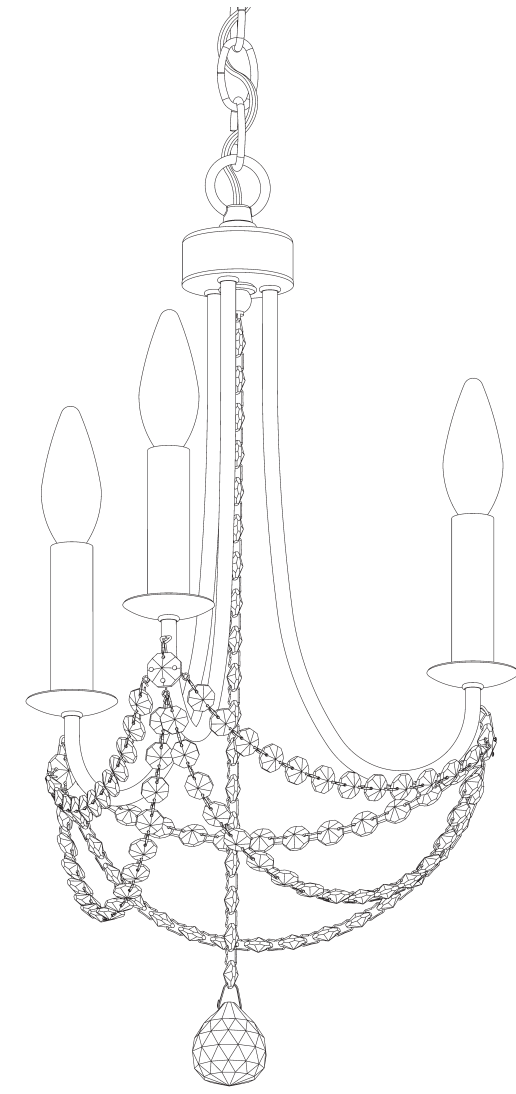


VERDANA RJ1003N-__ __O













3 Lights
Diameter: 12"
Height: 19"
Hanging Weight: 5lbs.

THIS DESIGN IS THE PROPRIETARY
TRADE DRESS/TRADEMARK OF
W SCHONBEK LLC.

 **SCHONBEK** | 1870

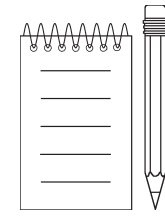
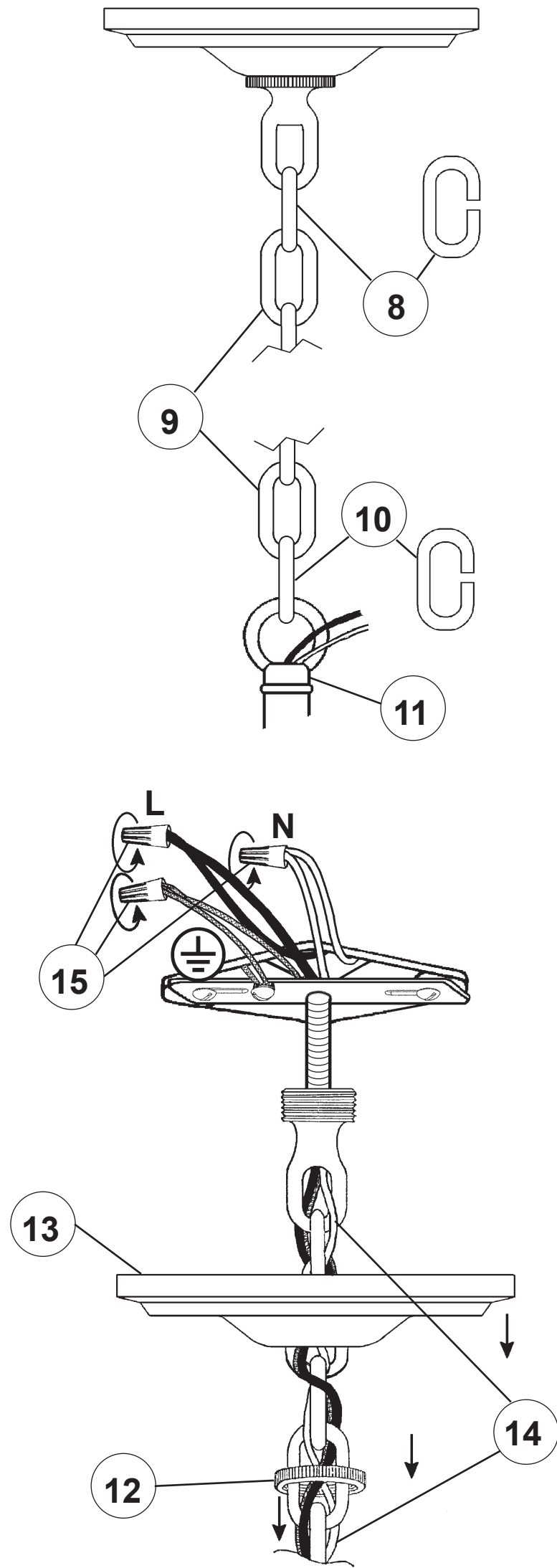
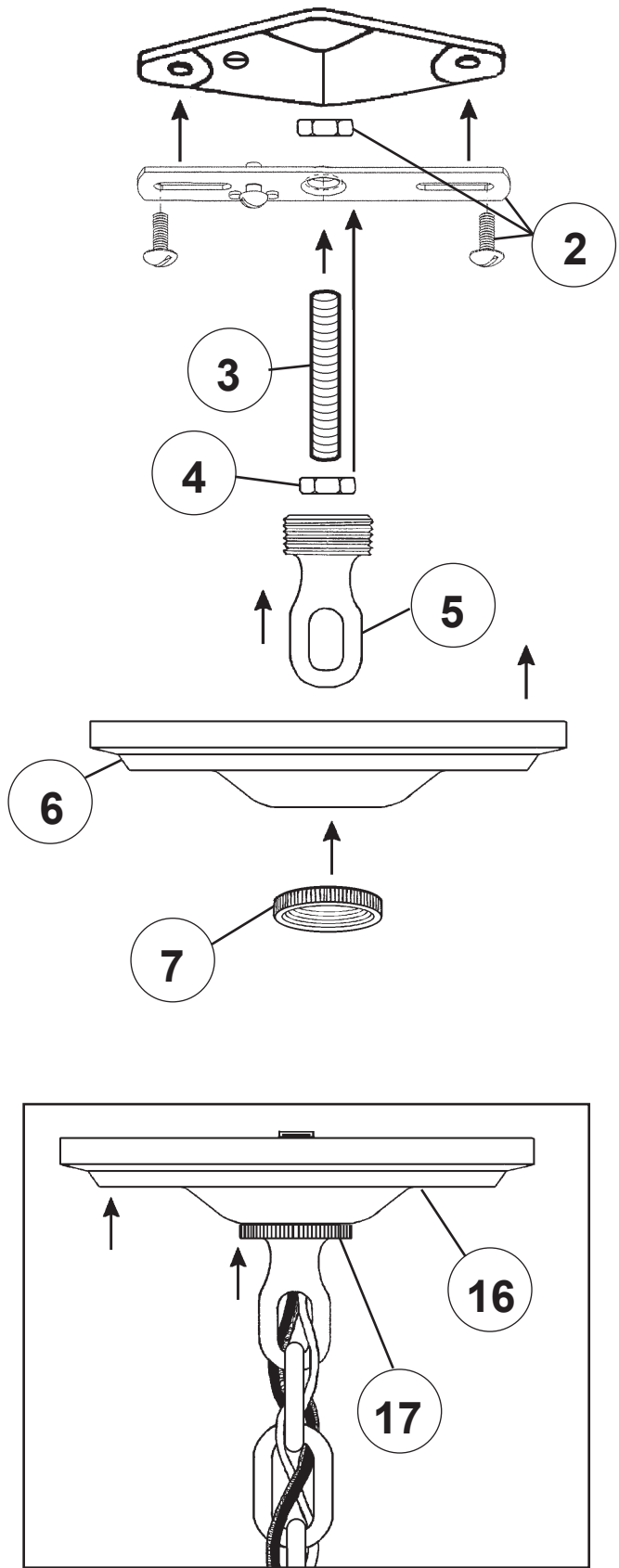
 **SCHONBEK** | 1870

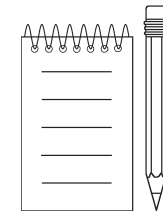
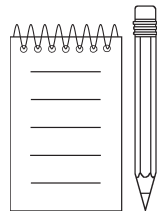
								
MAX <u>60</u> W	110-120 V							

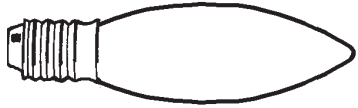
1 **WARNING:**

Electrical Danger Turn Power Off

All electrical components must be installed by a licensed electrician in accordance with the National Electric Code and the appropriate local electrical codes.







You will need 3 - B10
60 Watts Max

Install bulbs and be sure to
test fixture **BEFORE**
trimming.

