

VESCA VA8305N- __ __ H













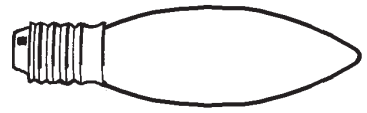
5 Lights
Diameter: 24"
Height: 20"
Hanging Weight: 17lbs.

THIS DESIGN IS THE PROPRIETARY
TRADE DRESS/TRADEMARK OF
W SCHONBEK LLC.

 **SCHONBEK** | 1870

 **SCHONBEK** | 1870

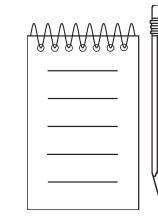
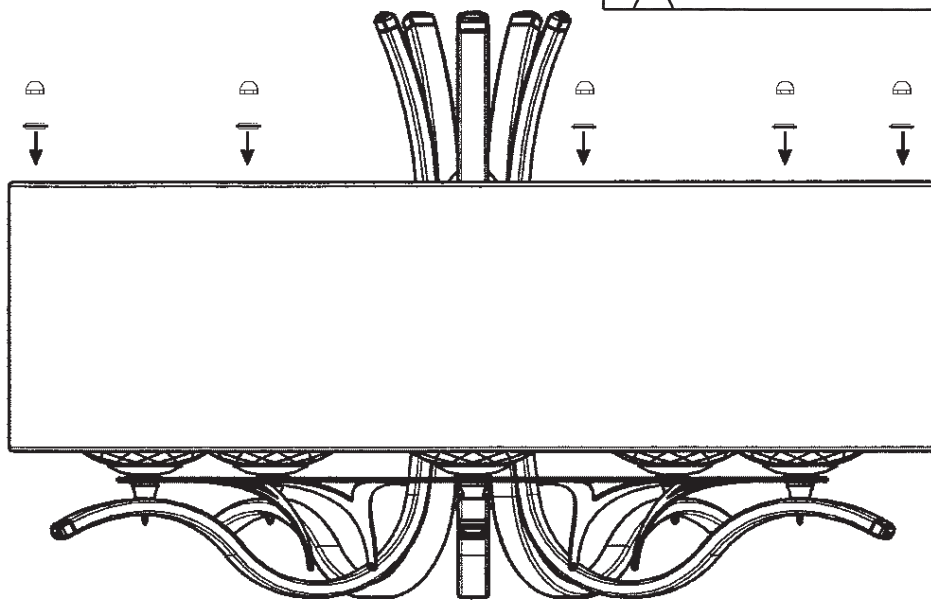
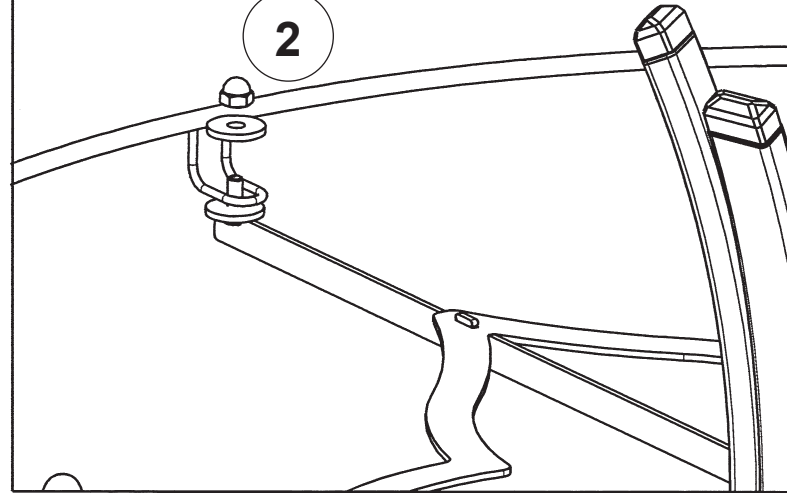
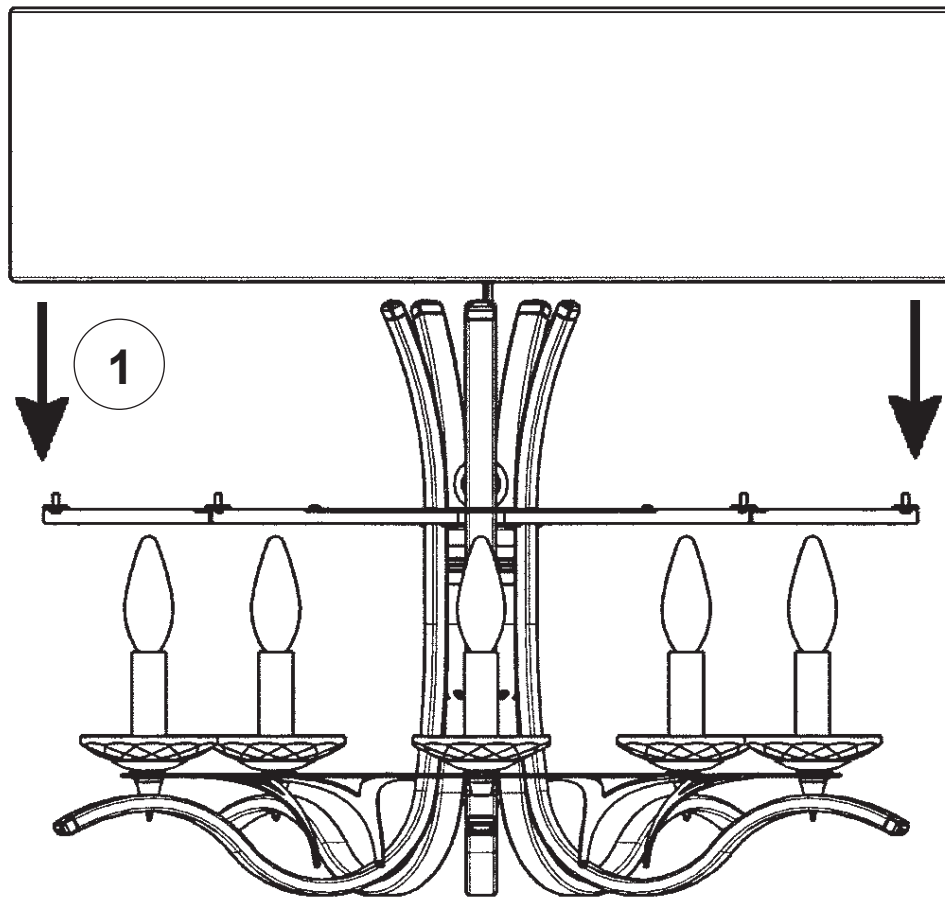
								
MAX <u>60</u> W	110-120 V							



You will need 5 - B10
25 Watts Recommended
60 Watts Max

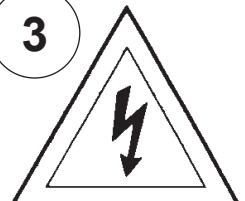
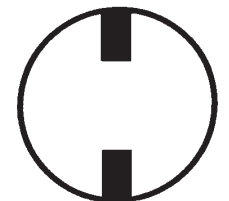
**Install bulbs and be sure
to test fixture BEFORE
trimming.**

NOTE: INSTALL BOBECHE,
CANDLE SLIPS AND BULBS
BEFORE INSTALLING SHADE.

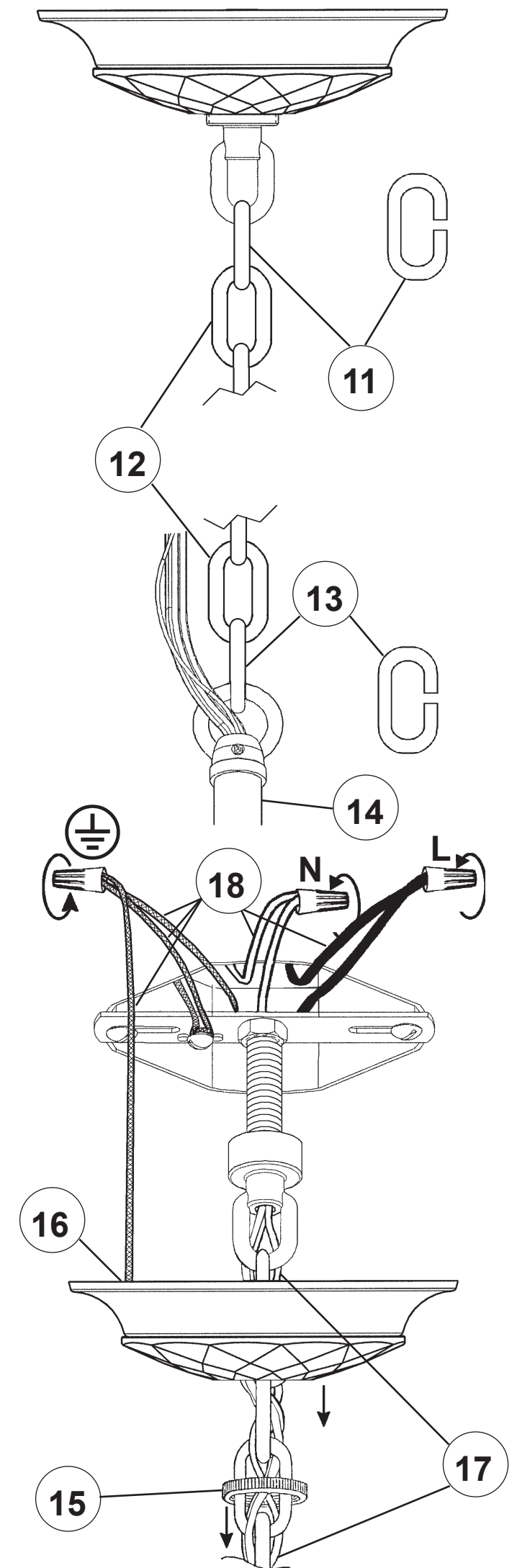
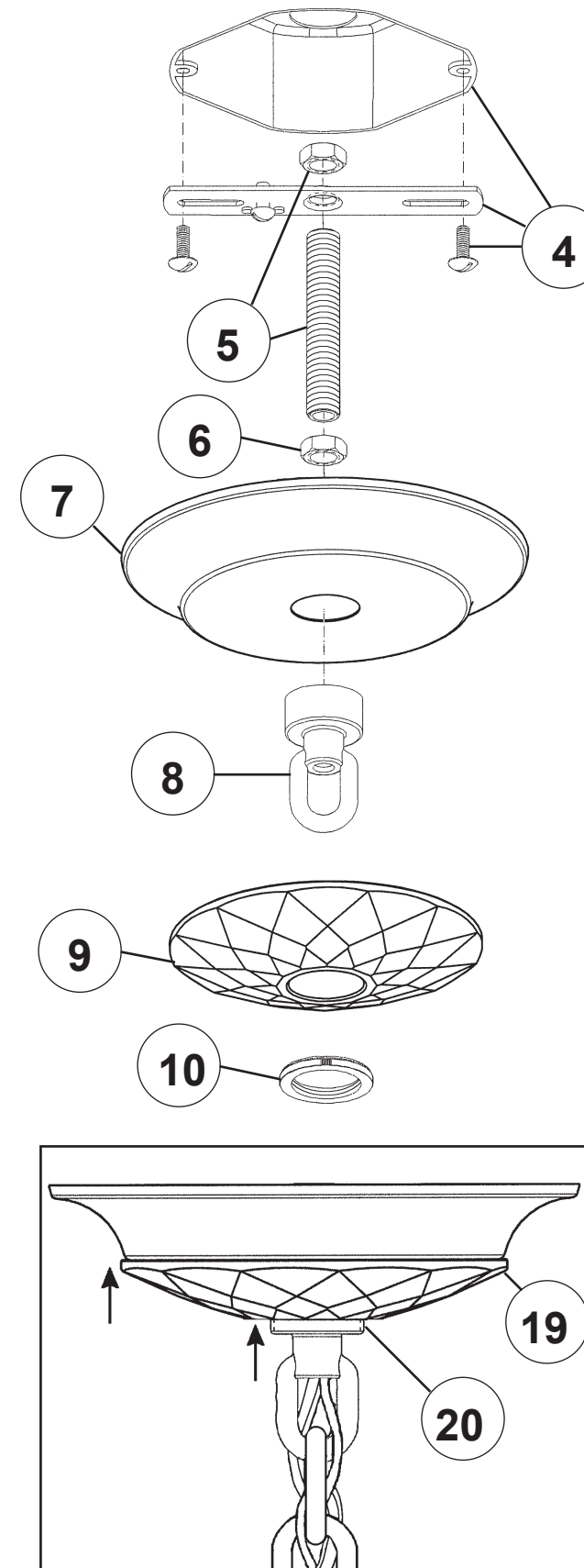


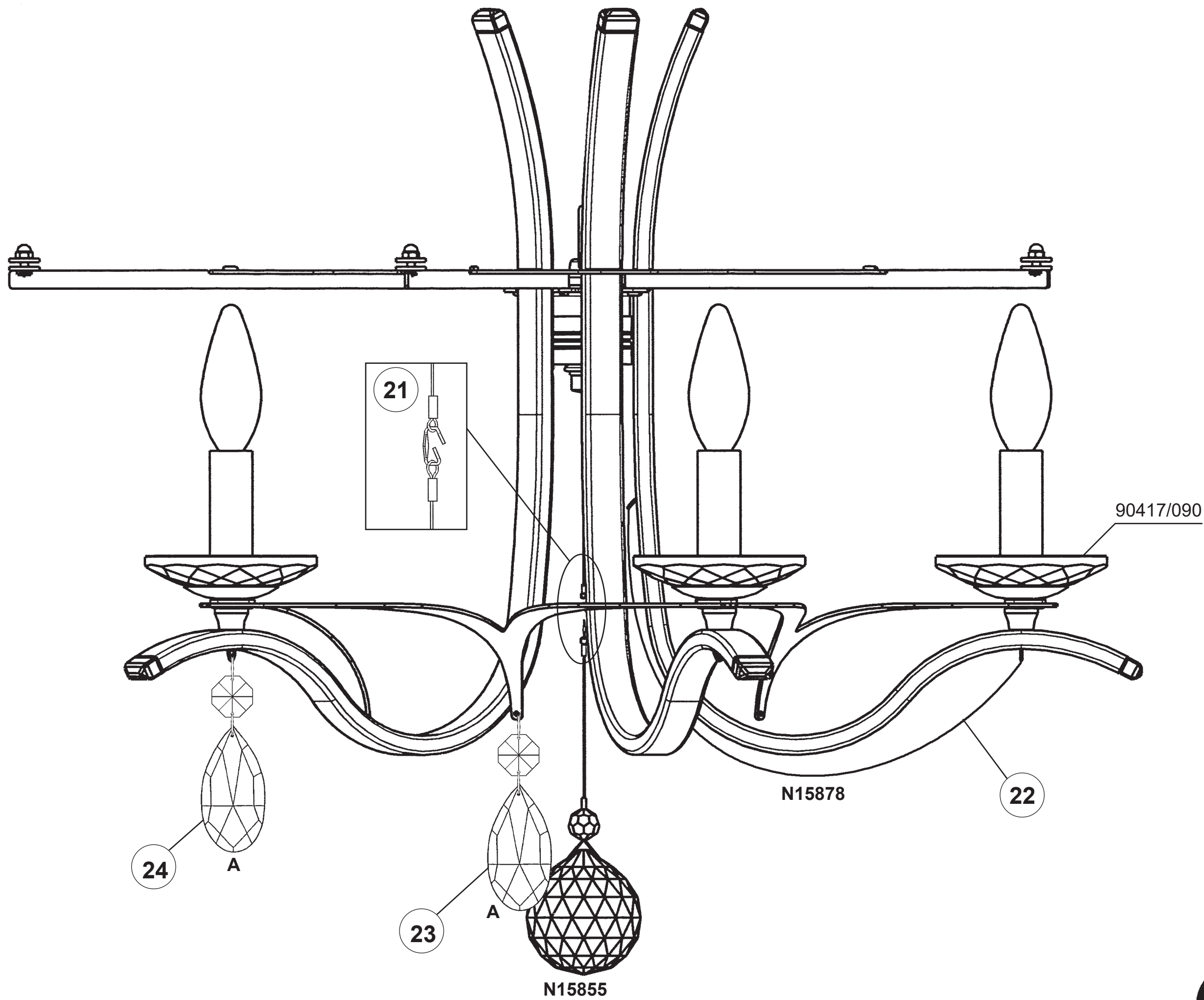


WARNING:

3  **Electrical Danger**  **Turn Power Off**

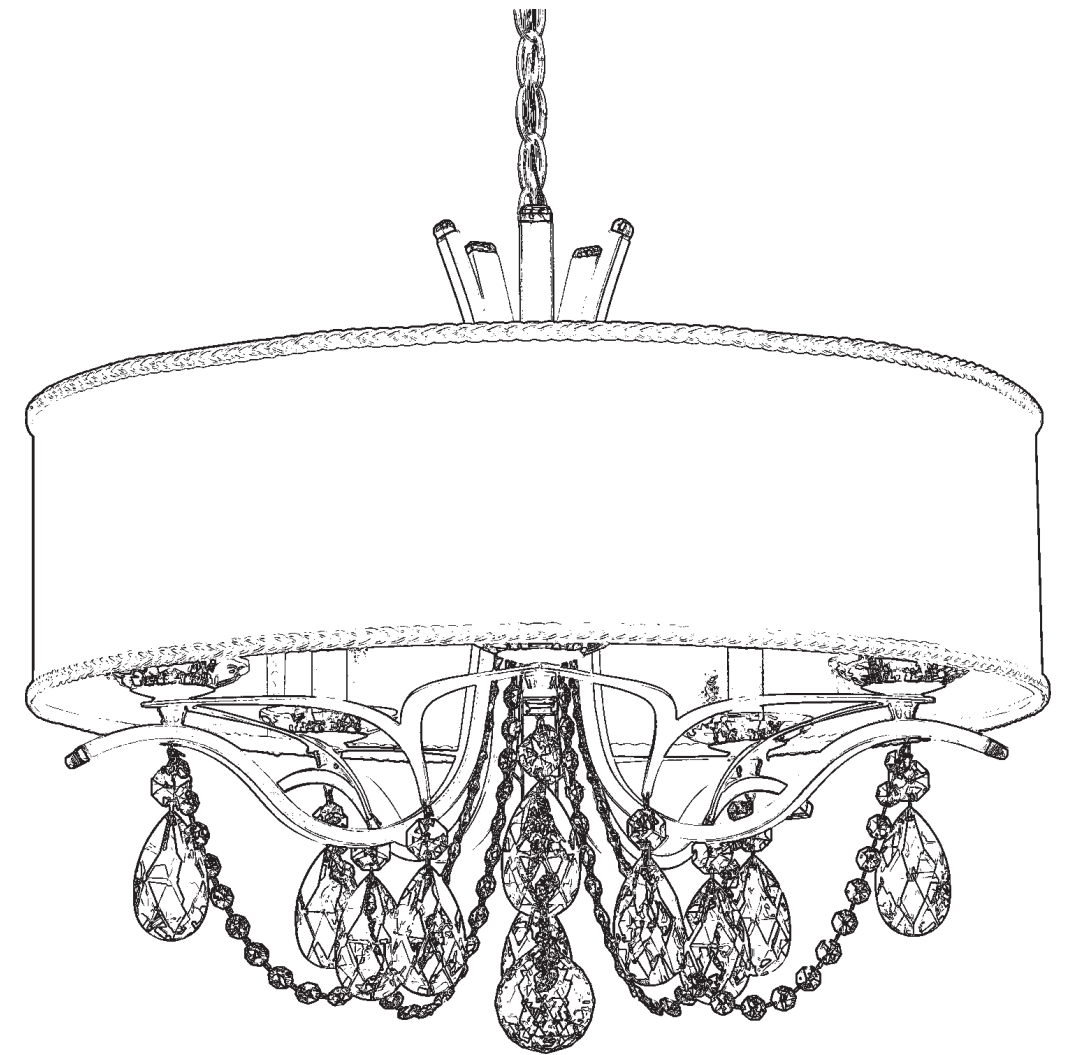
All electrical components must be installed by a licensed electrician in accordance with the National Electric Code and the appropriate local electrical codes.





 **SCHONBEK** | 1870











VESCA VA8305N- __ __ R

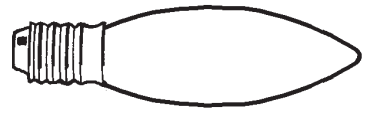


THIS DESIGN IS THE PROPRIETARY
TRADE DRESS/TRADEMARK OF
W SCHONBEK LLC.

5 Lights
Diameter: 24"
Height: 20"
Hanging Weight: 17lbs.

 **SCHONBEK** | 1870

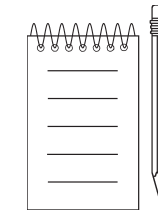
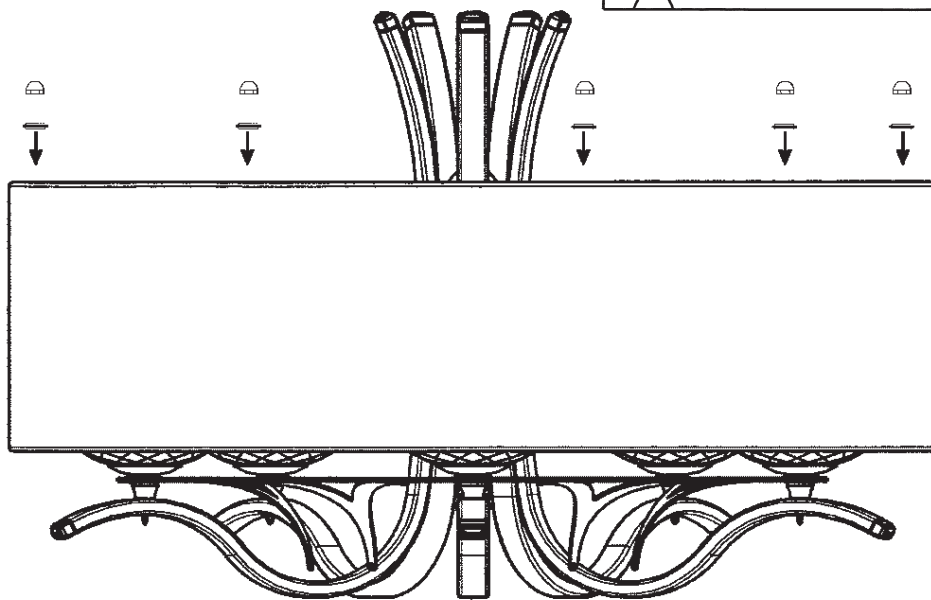
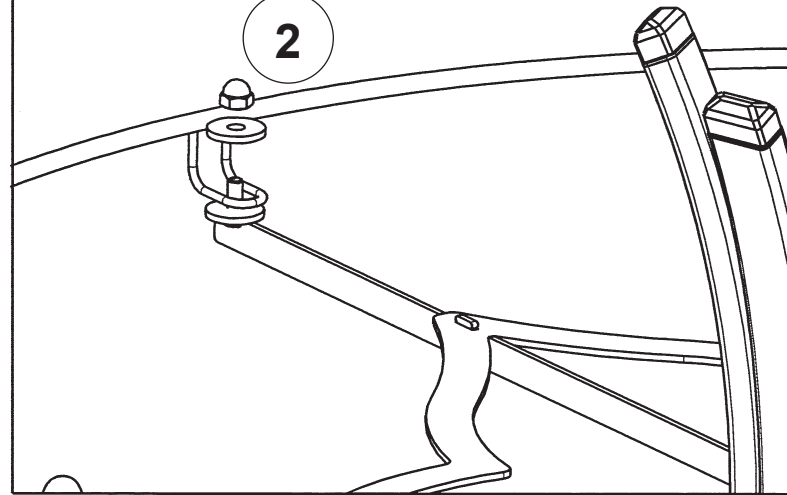
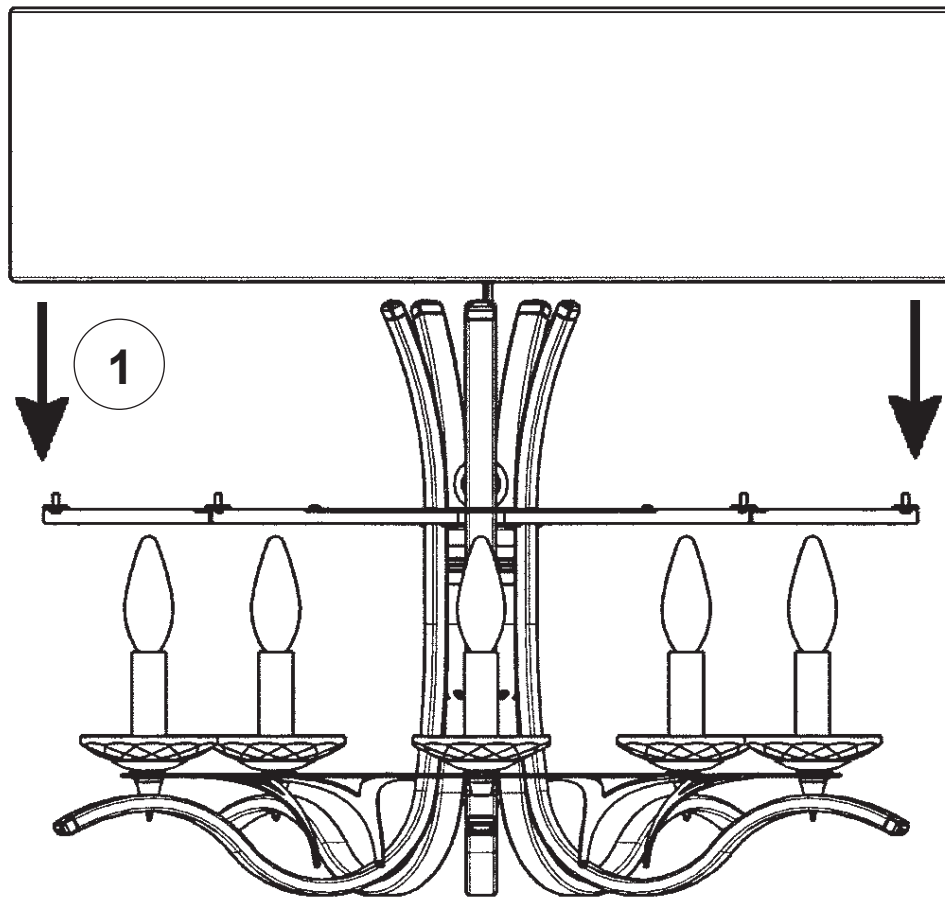
								
MAX <u>60</u> W	110-120 V							

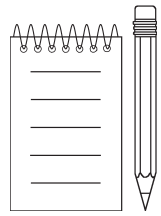


You will need 5 - B10
25 Watts Recommended
60 Watts Max

**Install bulbs and be sure
to test fixture BEFORE
trimming.**

NOTE: INSTALL BOBECHE,
CANDLE SLIPS AND BULBS
BEFORE INSTALLING SHADE.

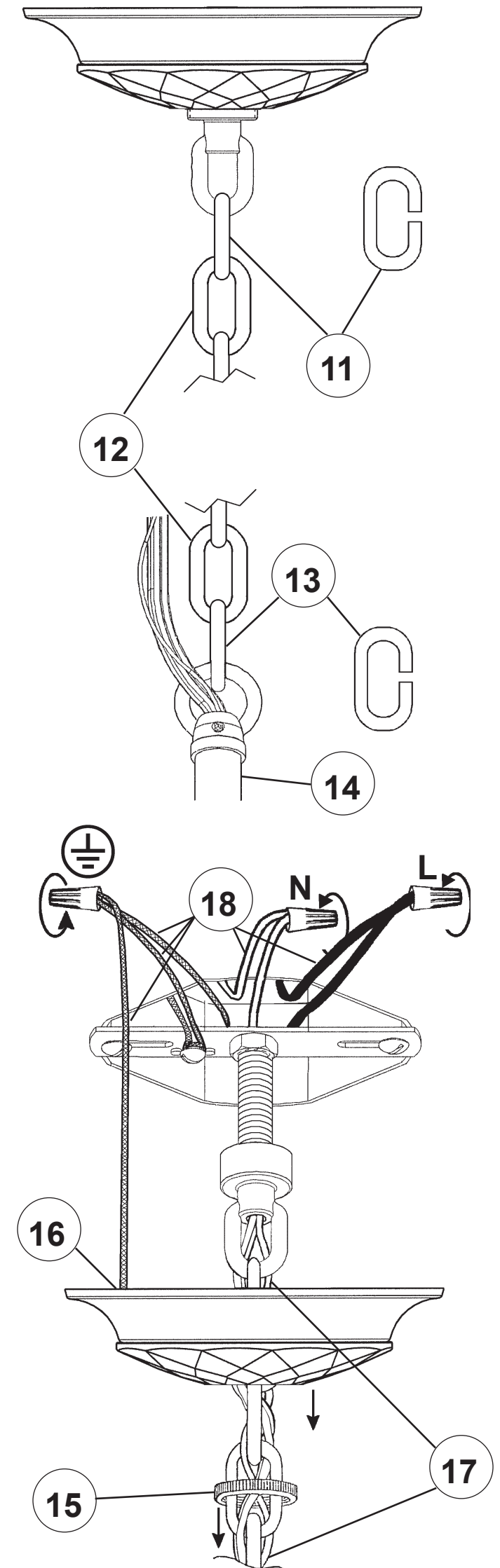
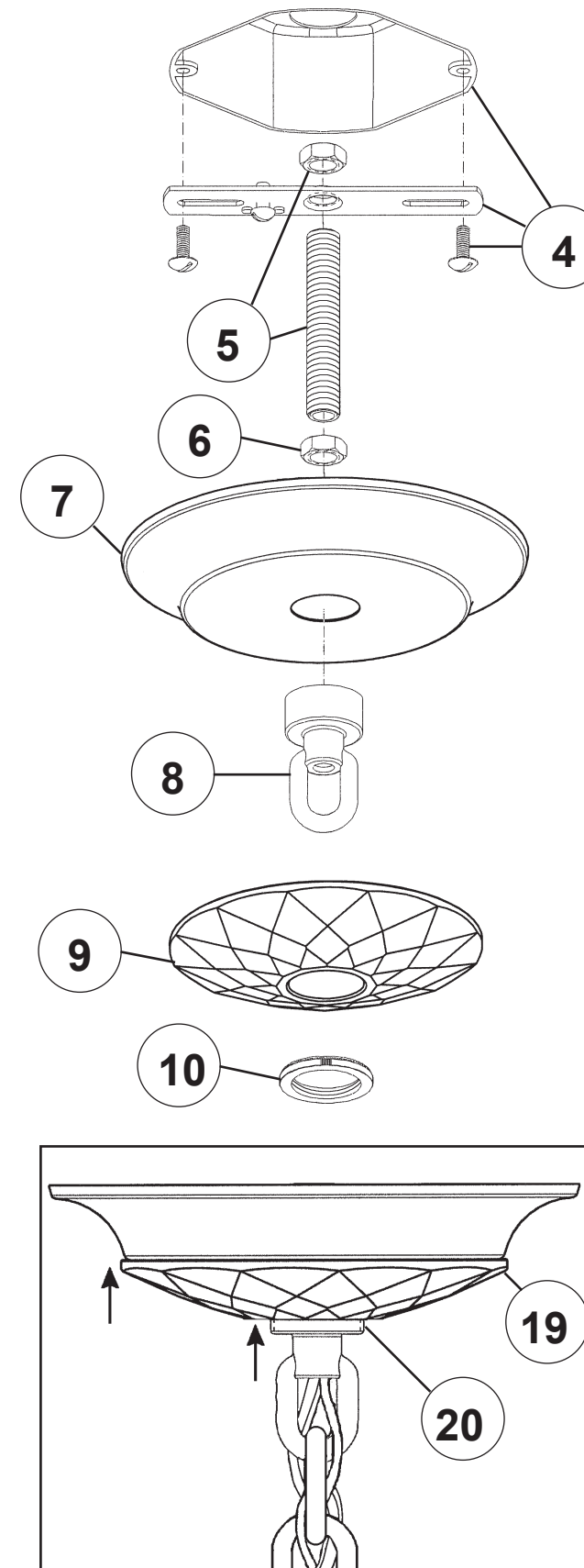


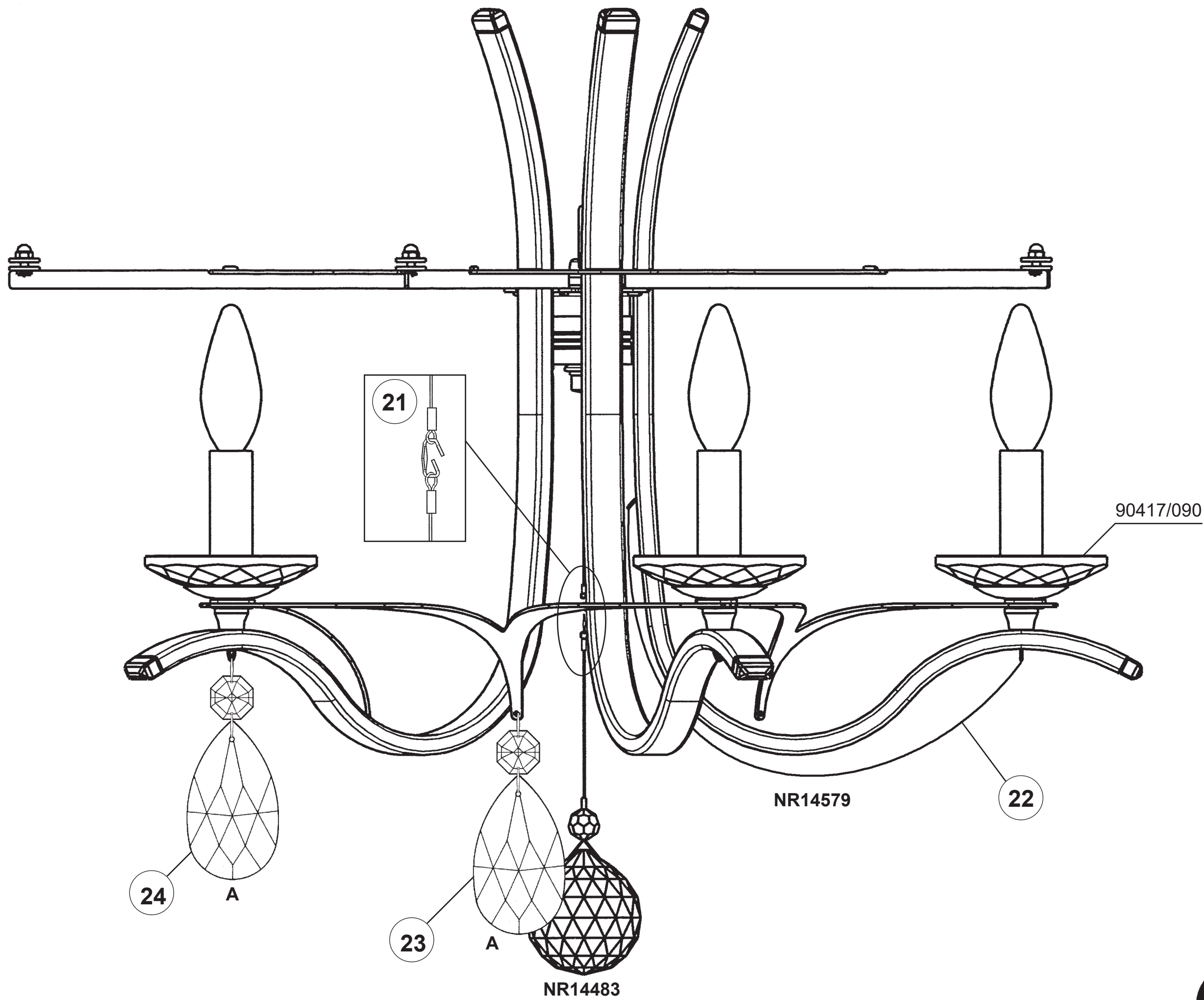


3 **WARNING:**

Electrical Danger Turn Power Off

All electrical components must be installed by a licensed electrician in accordance with the National Electric Code and the appropriate local electrical codes.





 **SCHONBEK** | 1870











VESCA VA8305N- __ __ S

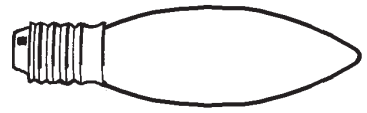


THIS DESIGN IS THE PROPRIETARY
TRADE DRESS/TRADEMARK OF
W SCHONBEK LLC.

5 Lights
Diameter: 24"
Height: 20"
Hanging Weight: 17lbs.

 **SCHONBEK** | 1870

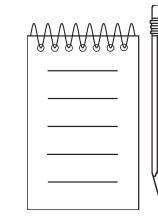
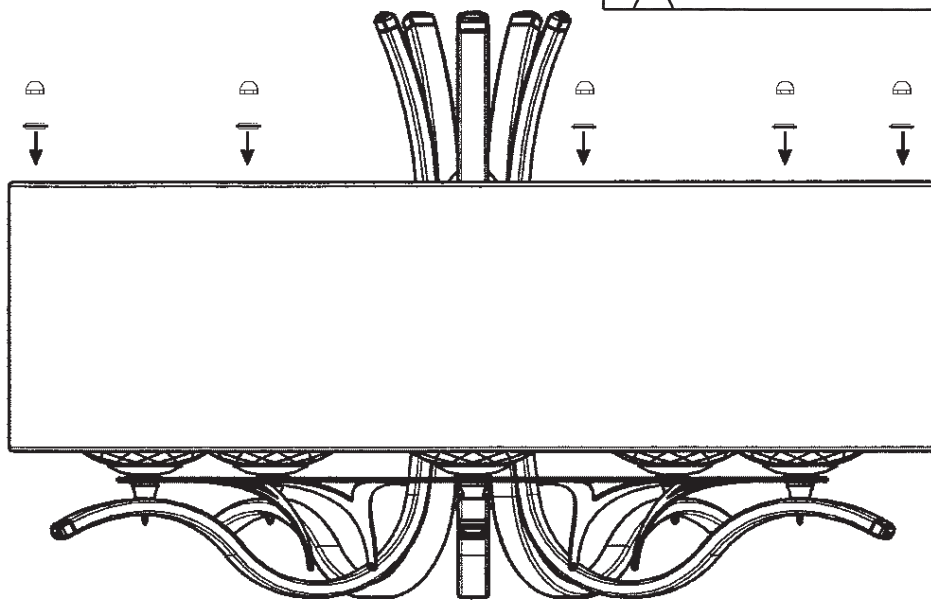
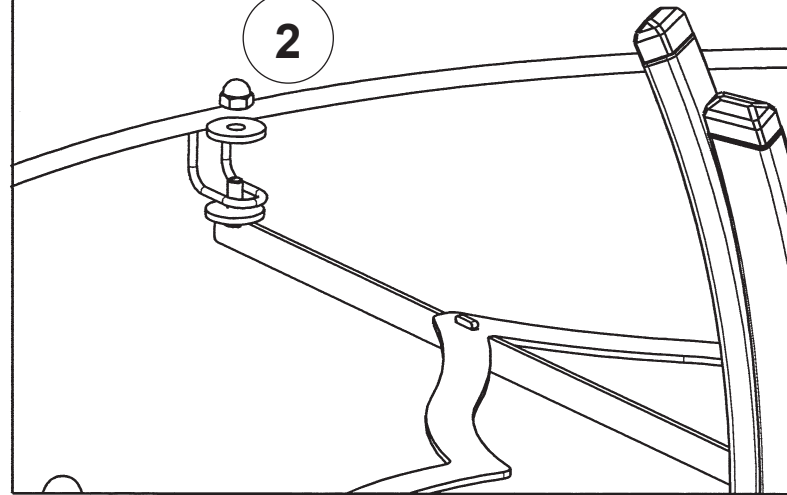
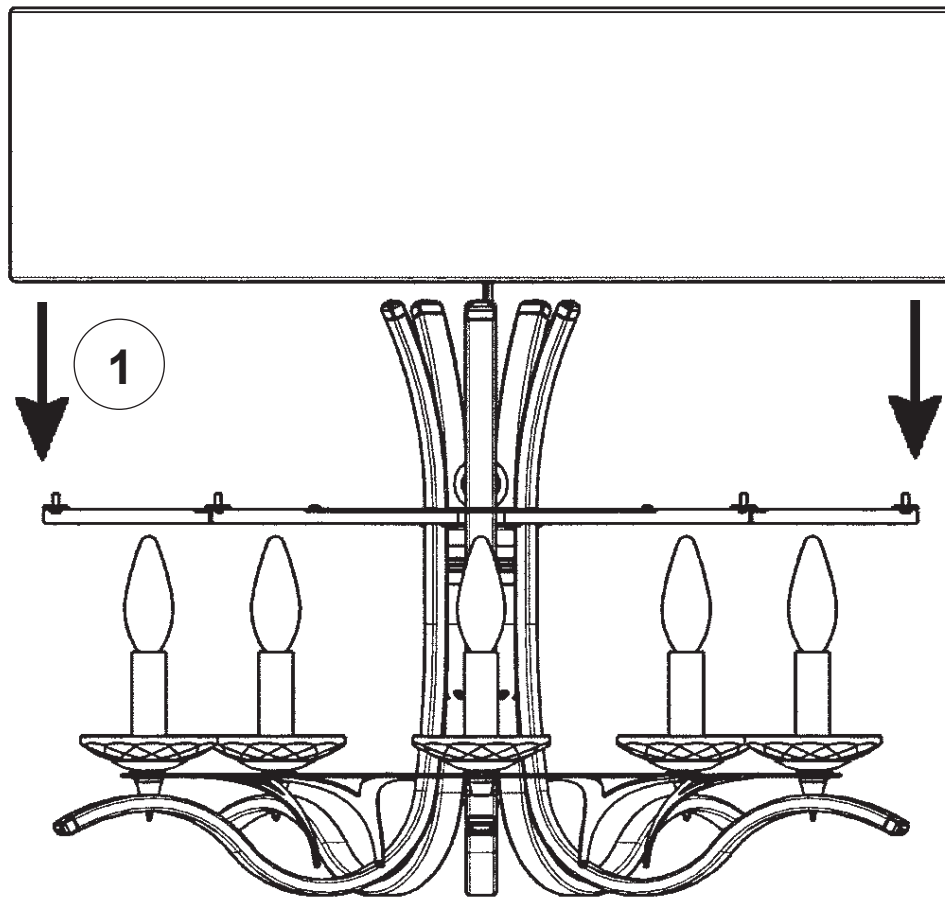
								
MAX <u>60</u> W	110-120 V							



You will need 5 - B10
25 Watts Recommended
60 Watts Max

**Install bulbs and be sure
to test fixture BEFORE
trimming.**

NOTE: INSTALL BOBECHE,
CANDLE SLIPS AND BULBS
BEFORE INSTALLING SHADE.





3 **WARNING:**

Electrical Danger Turn Power Off

All electrical components must be installed by a licensed electrician in accordance with the National Electric Code and the appropriate local electrical codes.

