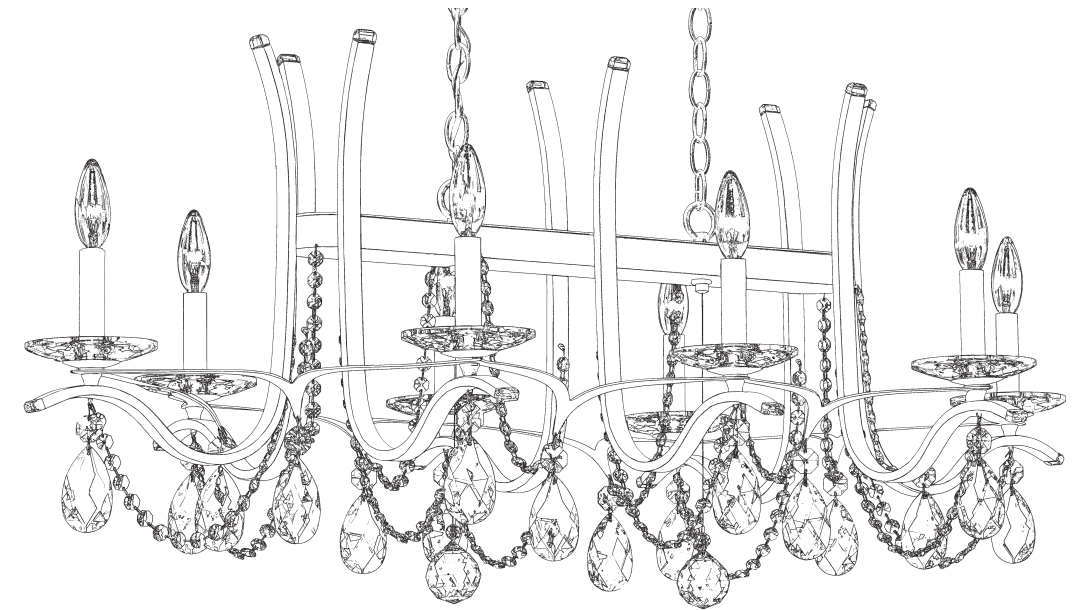


 **SCHONBEK** | 1870











**VESCA**  
**VA8435N-\_\_ \_H**

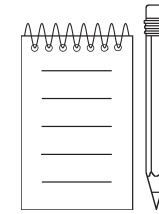
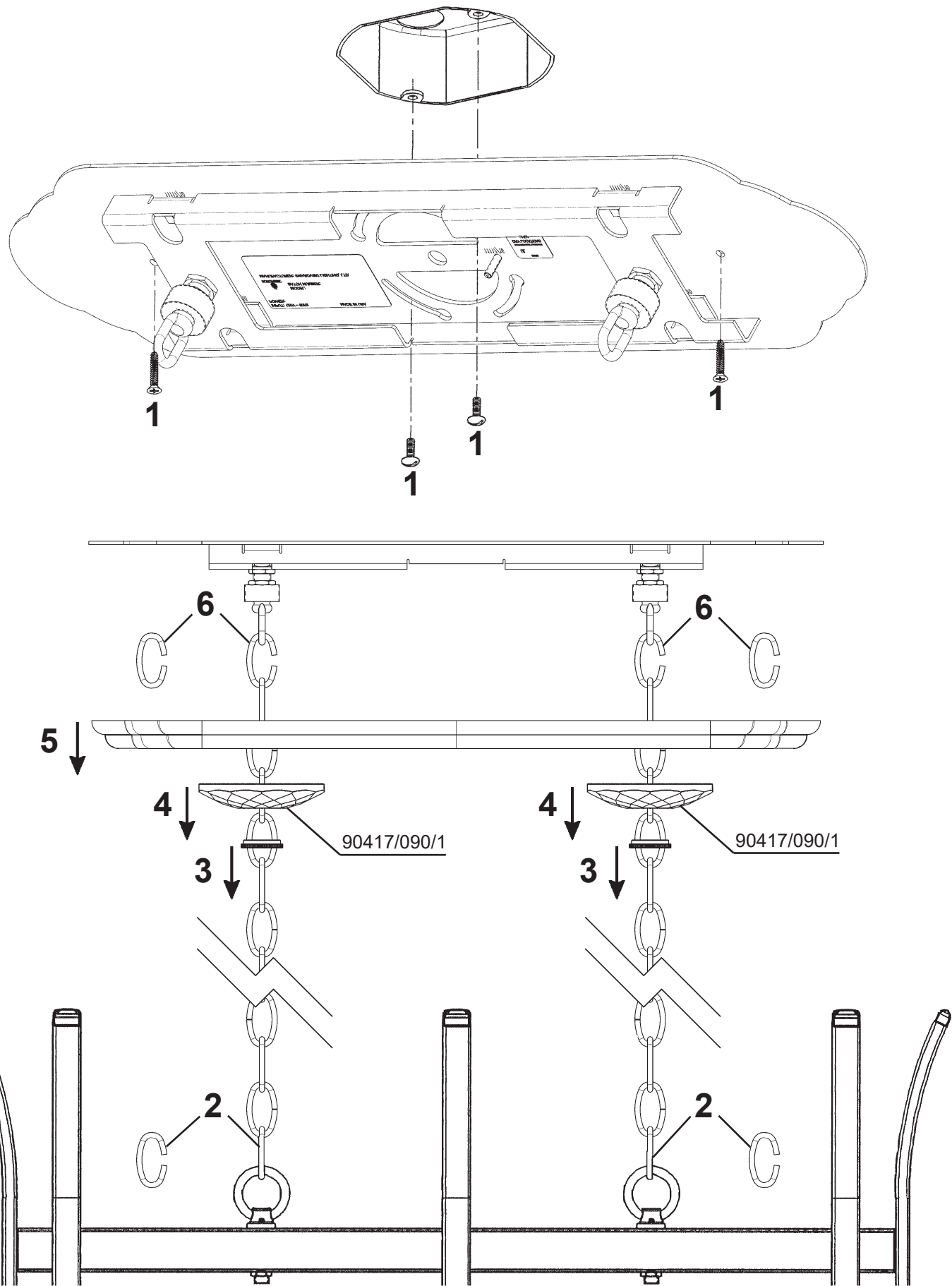


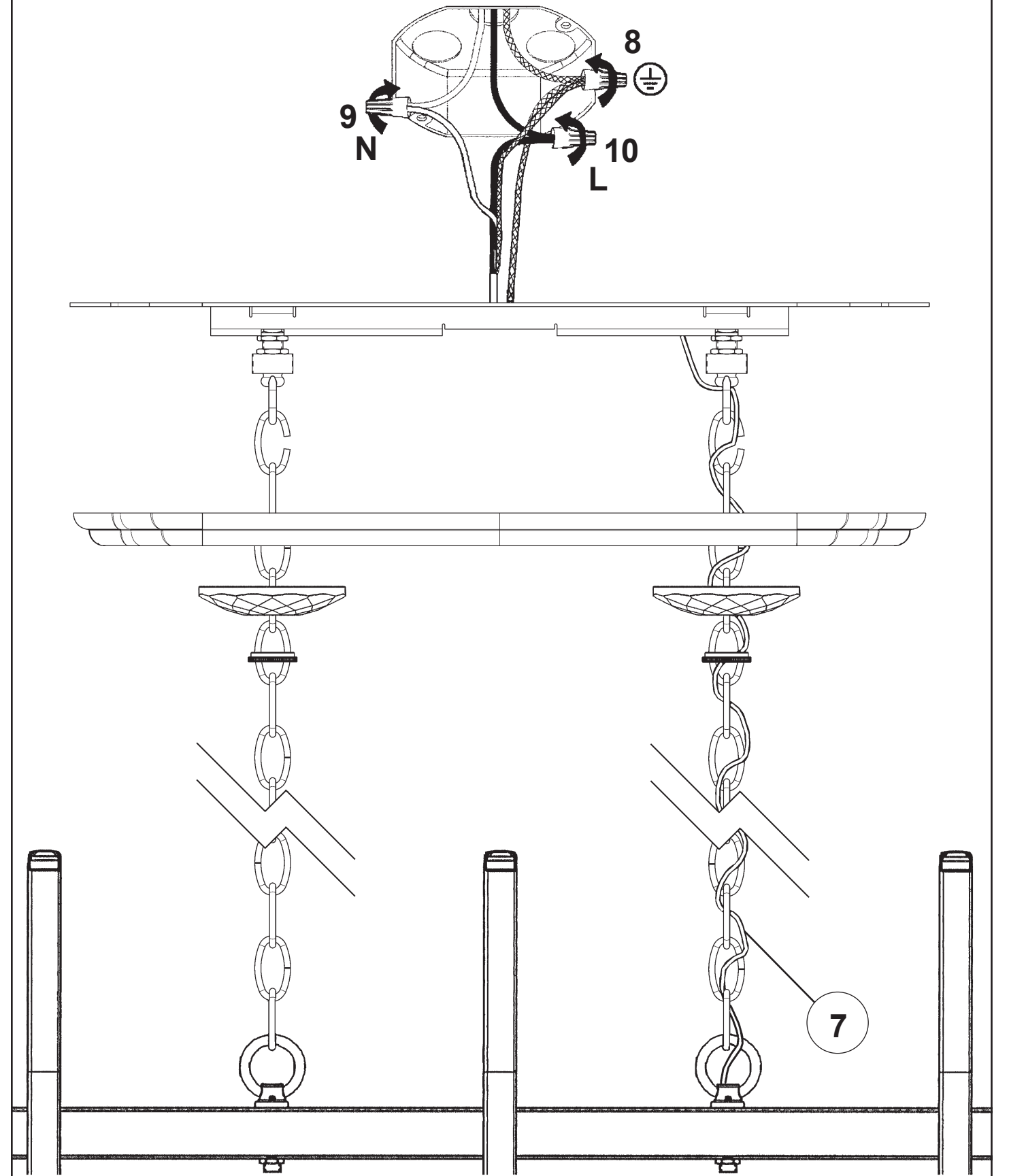
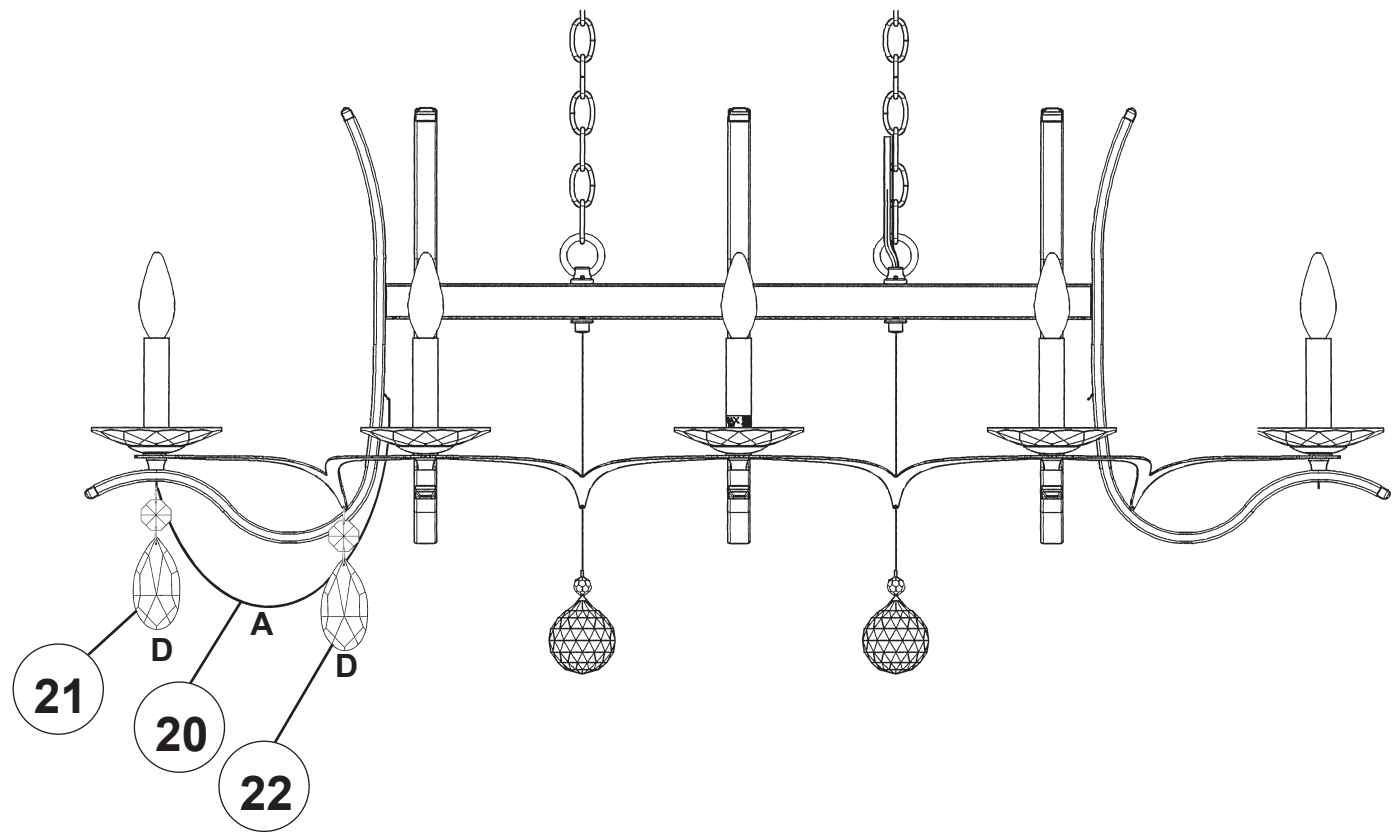
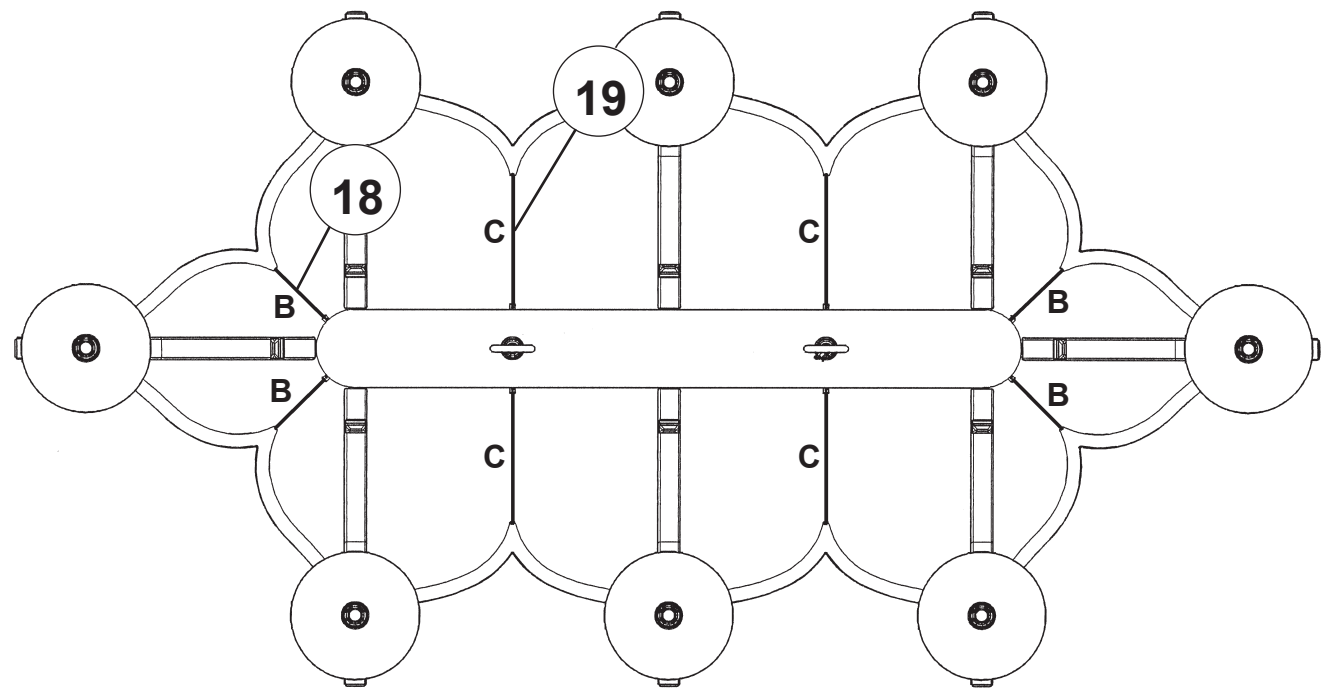
**T**HIS DESIGN IS THE PROPRIETARY  
TRADE DRESS/TRADemark OF  
W SCHONBEK LLC.

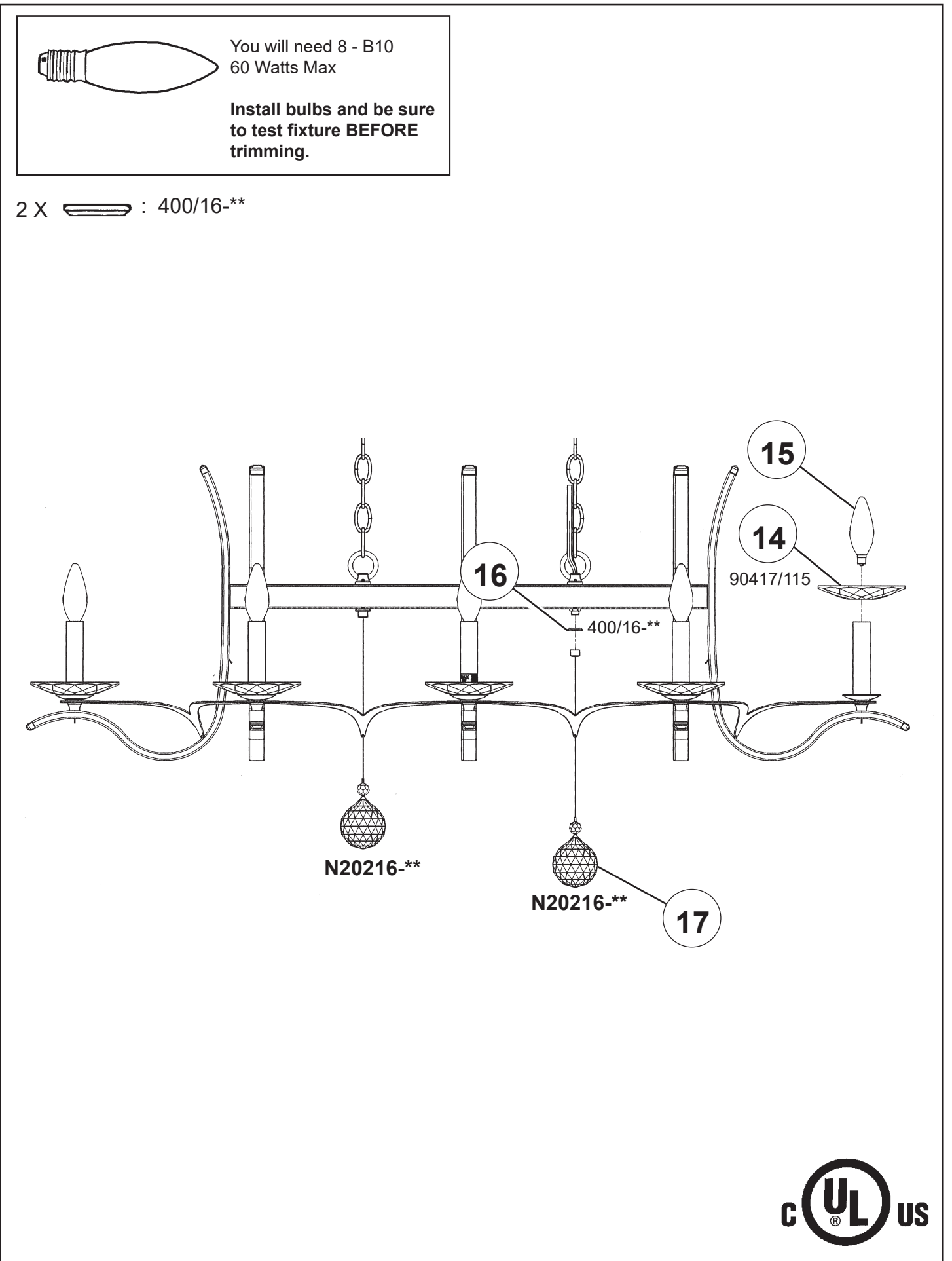
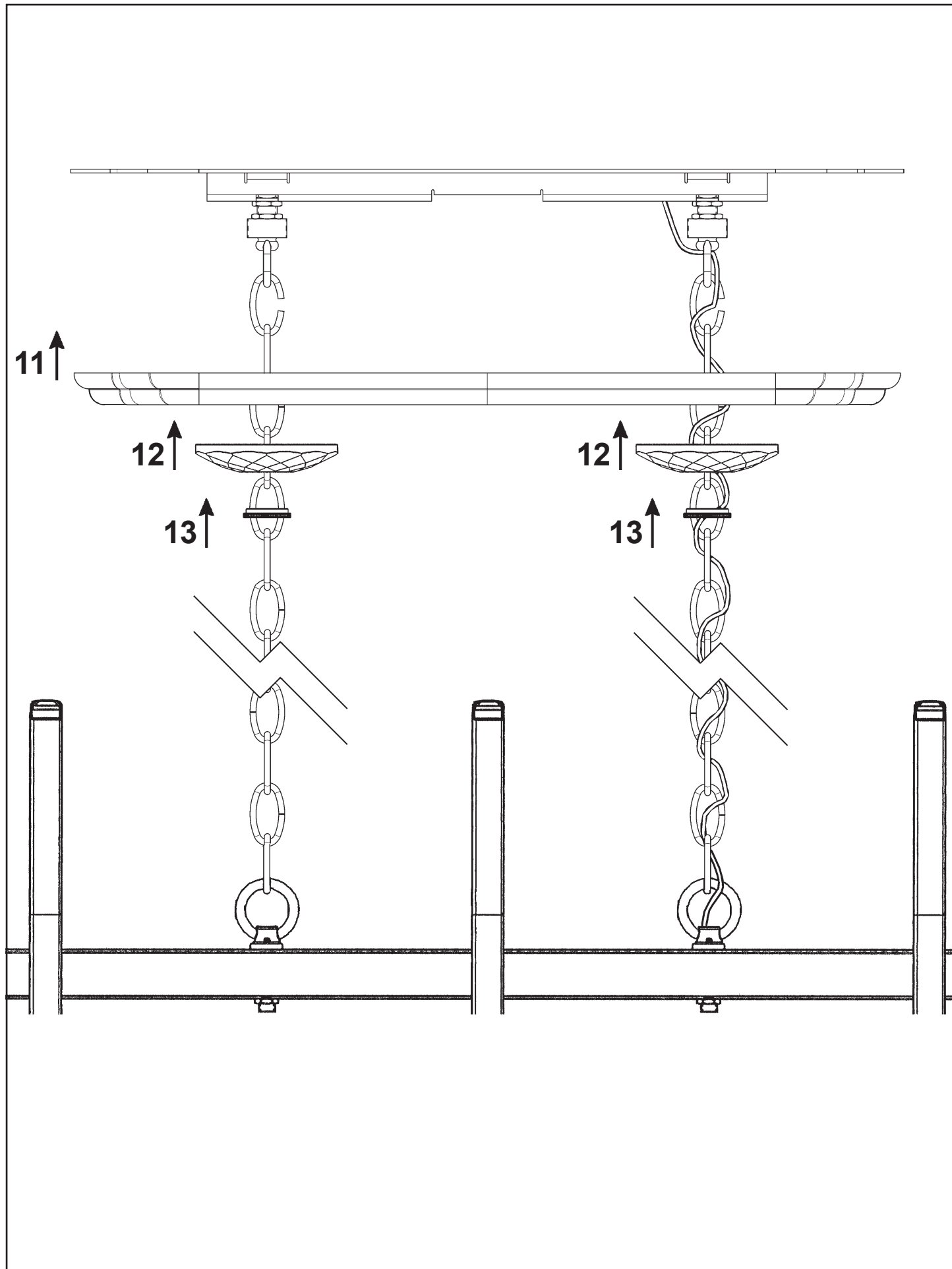
8 Lights  
Length: 46"  
Width: 24"  
Height: 20-1/2"  
Hanging Weight: 30lbs.

 **SCHONBEK** | 1870

								
MAX <u>60</u> W	110-120 V							

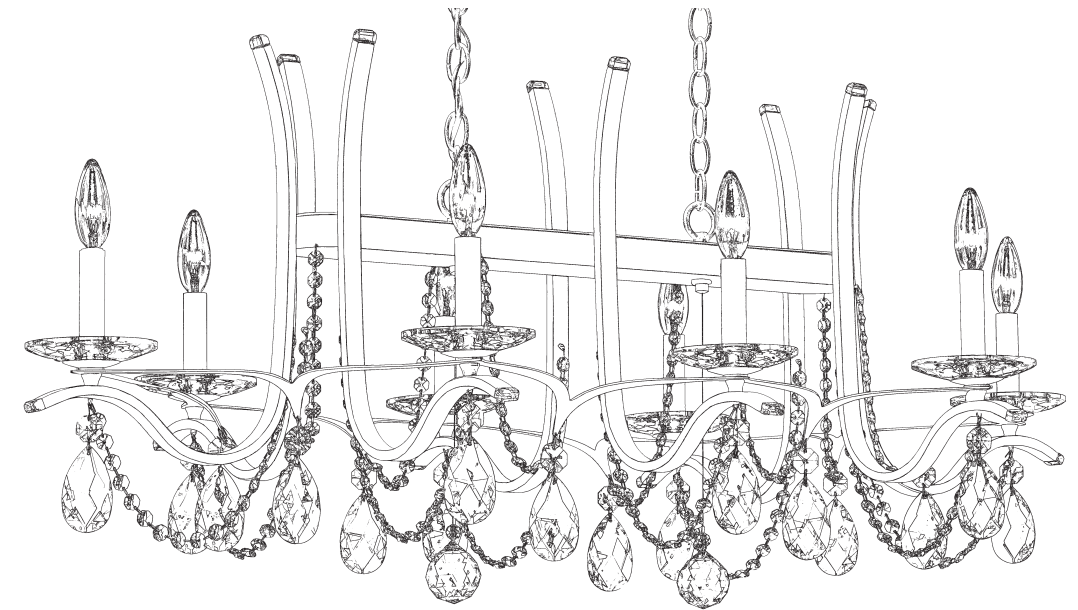






 **SCHONBEK** | 1870











**VESCA**  
**VA8435N-\_\_ \_R**

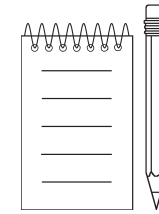
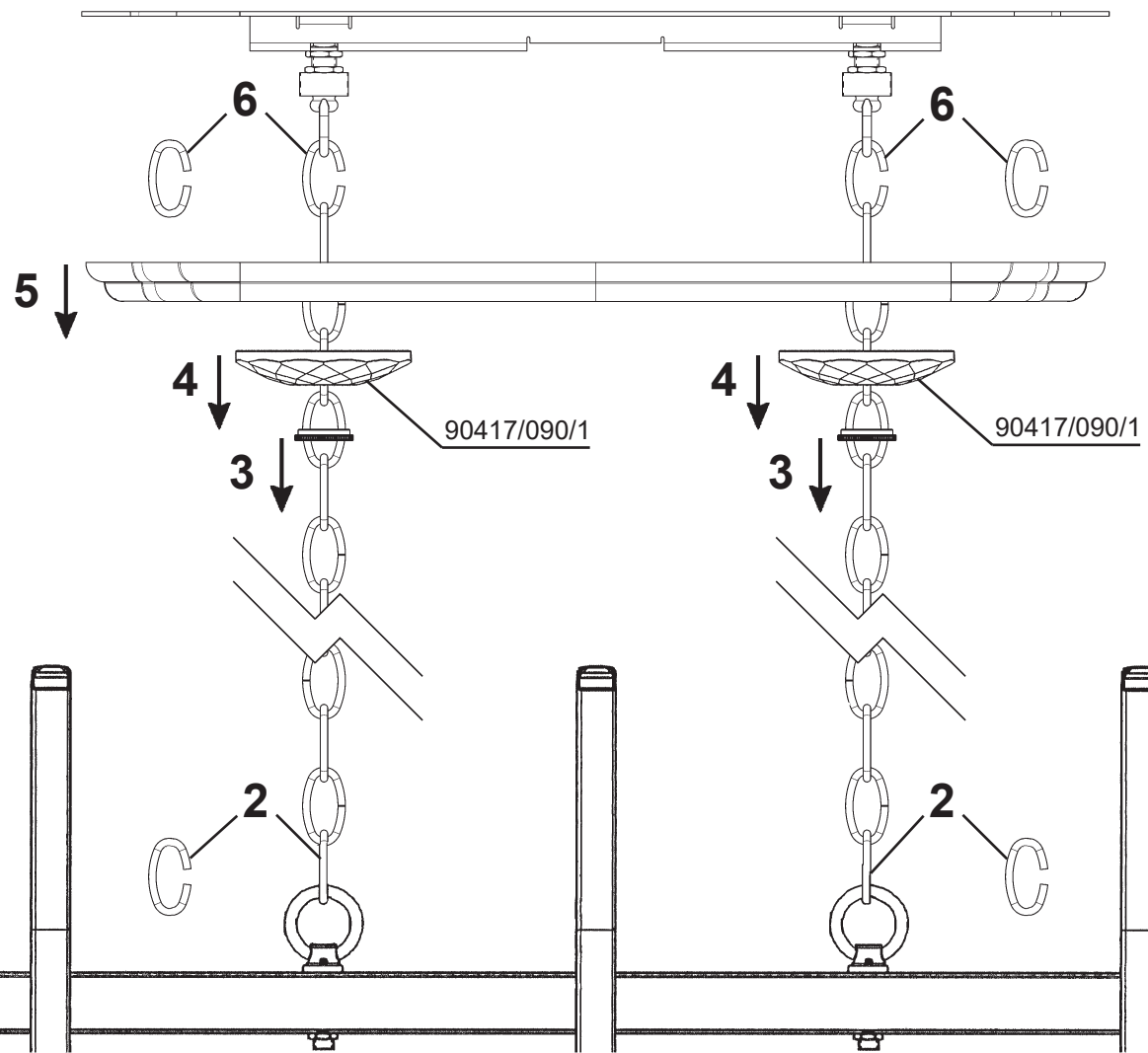
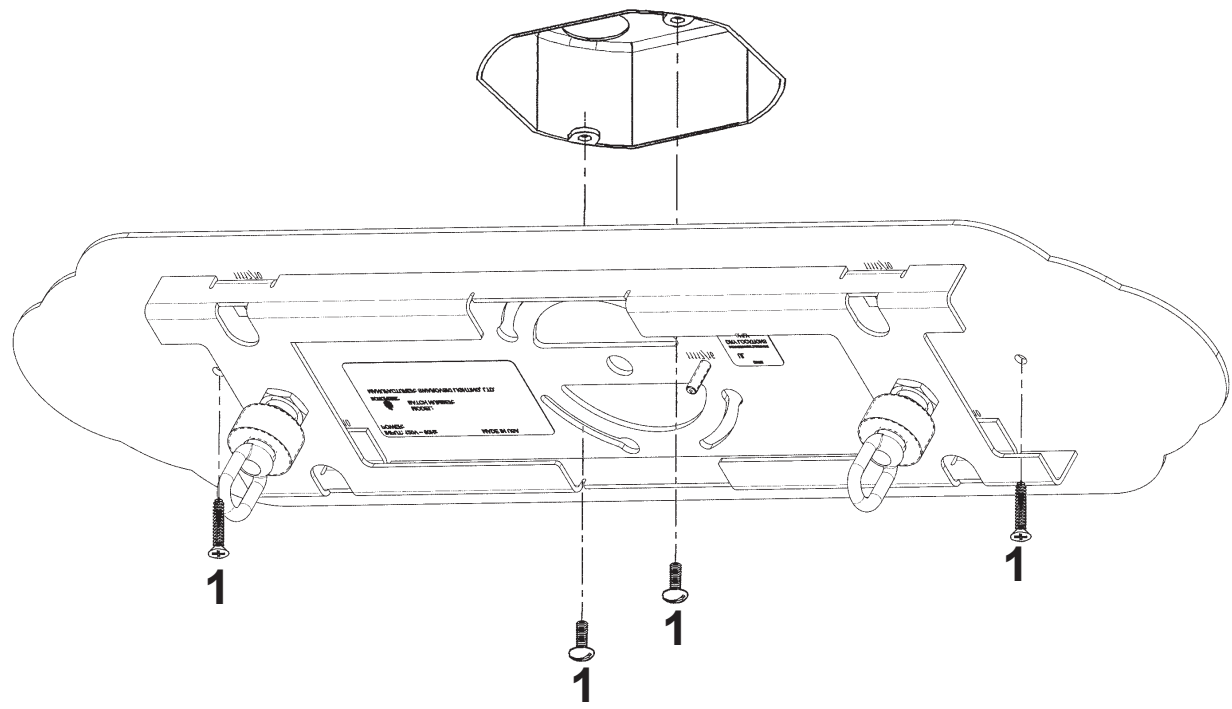


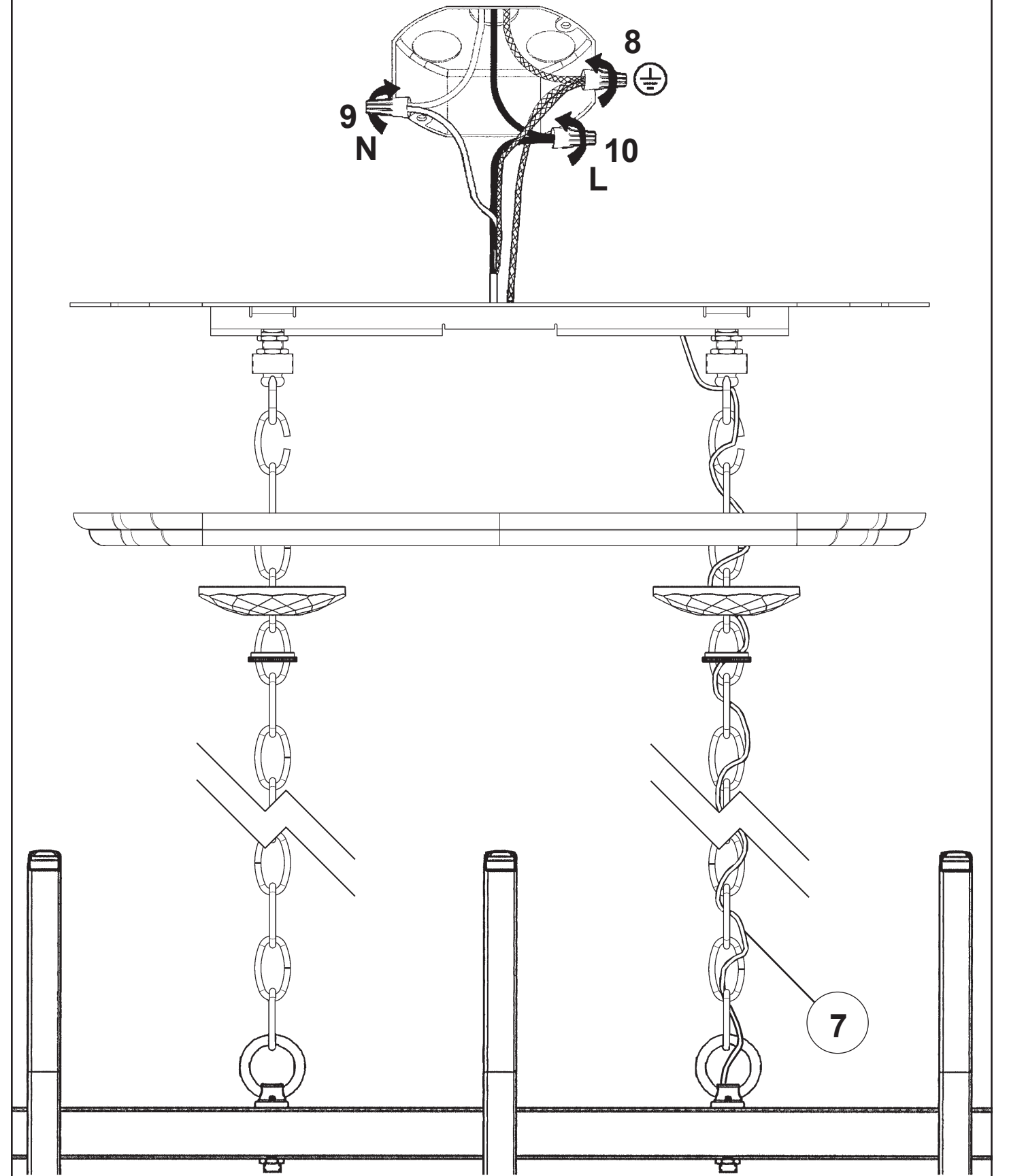
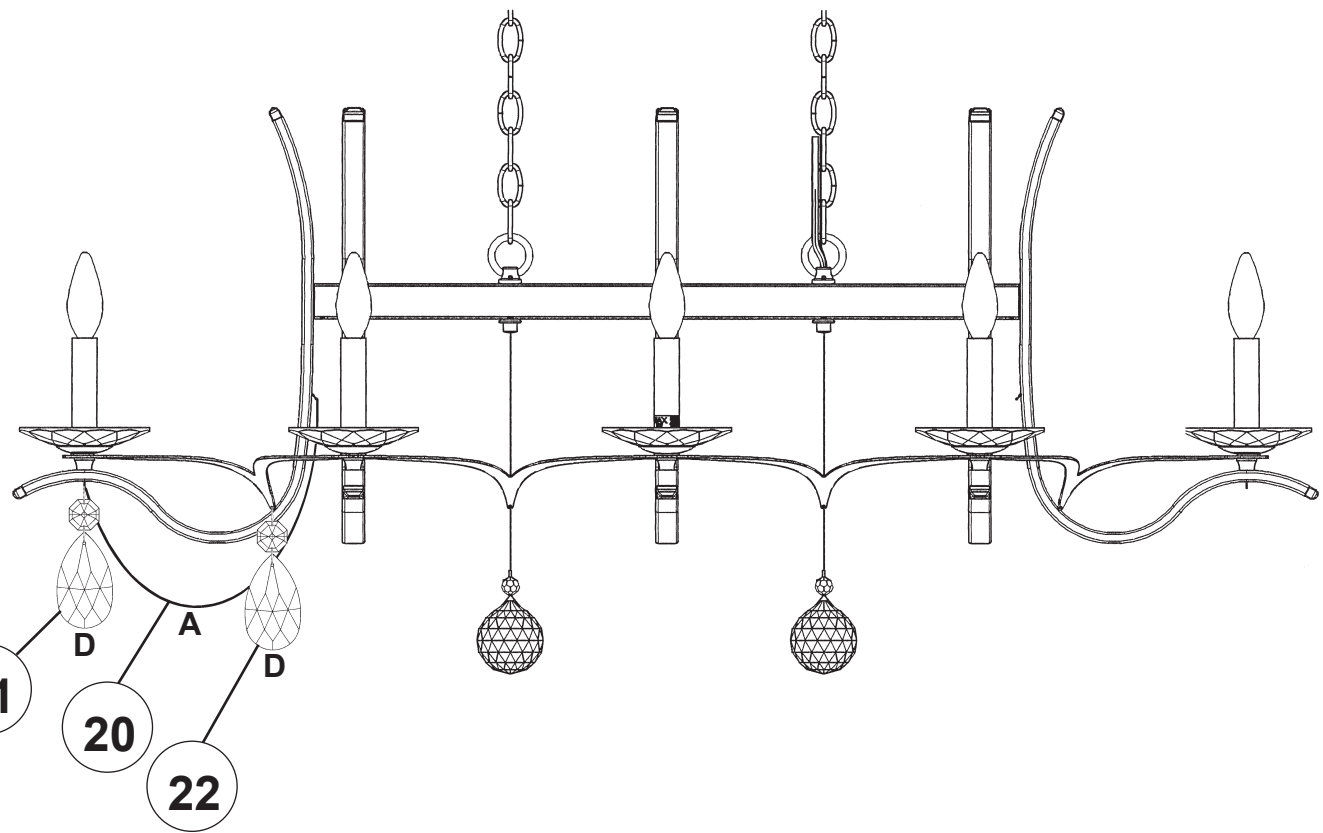
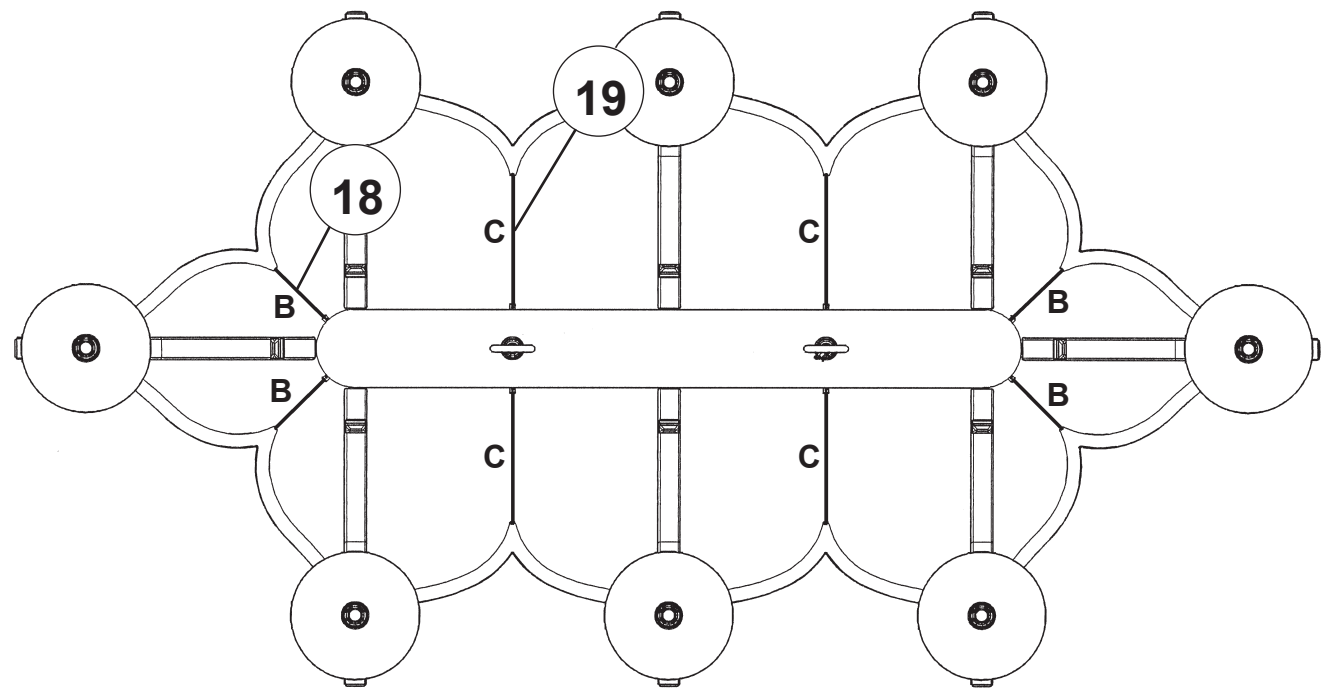
**T**HIS DESIGN IS THE PROPRIETARY  
TRADE DRESS/TRADEMARK OF  
W SCHONBEK LLC.

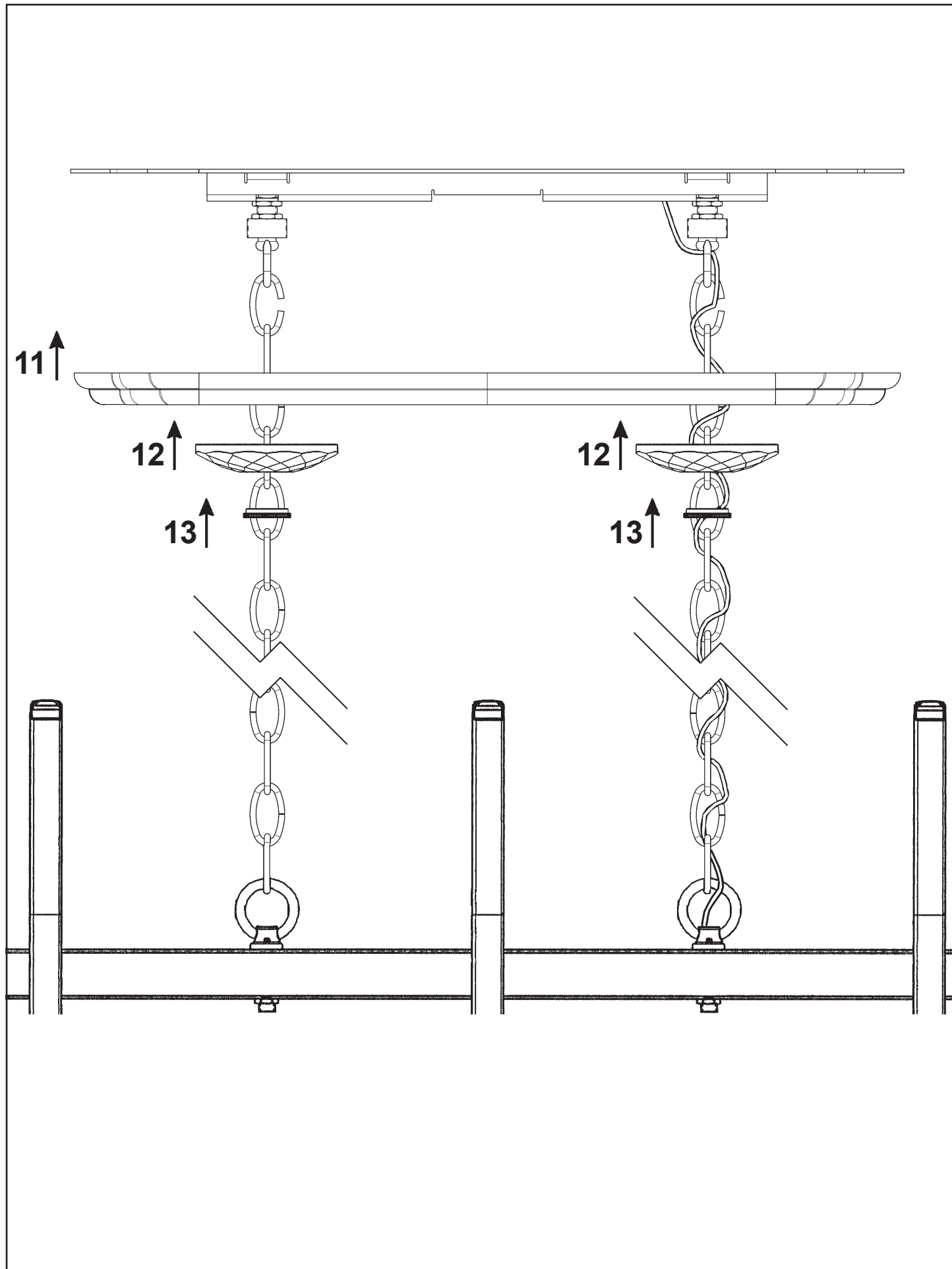
8 Lights  
Length: 46"  
Width: 24"  
Height: 20-1/2"  
Hanging Weight: 30lbs.


 **SCHONBEK** | 1870


								
MAX <b>60</b> W	110-120 V							

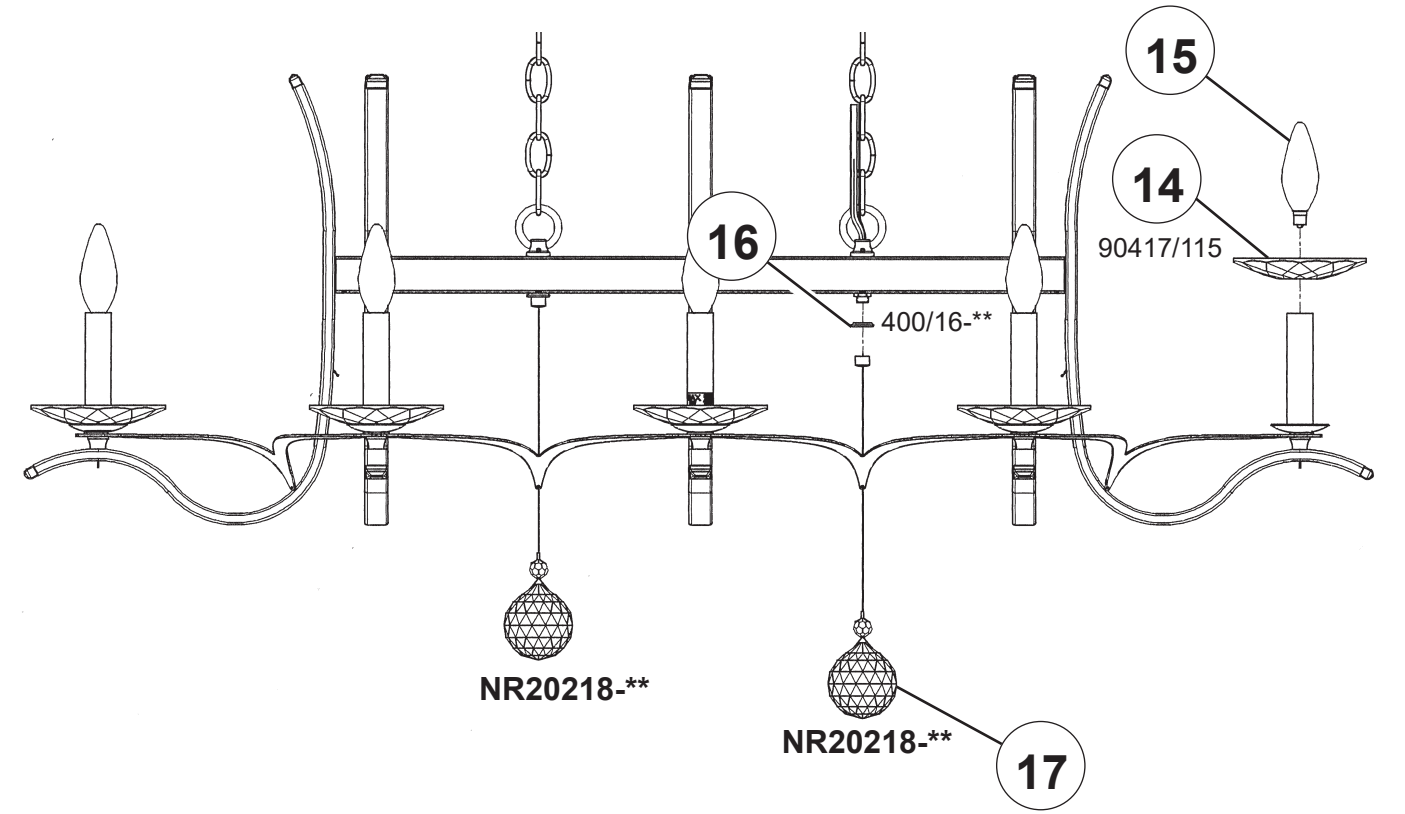






 You will need 8 - B10  
60 Watts Max  
**Install bulbs and be sure  
to test fixture BEFORE  
trimming.**

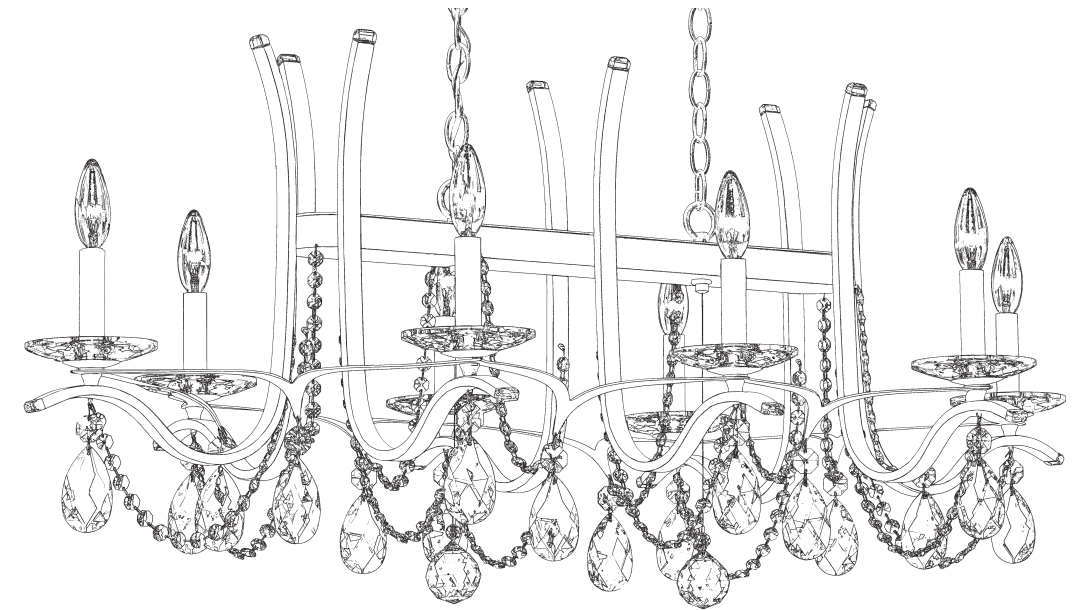
2 X  : 400/16-\*\*





 **SCHONBEK** | 1870










**VESCA**  
**VA8435N- \_\_ \_\_ S**



8 Lights  
Length: 46"  
Width: 24"  
Height: 20-1/2"  
Hanging Weight: 30lbs.

**T**HIS DESIGN IS THE PROPRIETARY  
TRADE DRESS/TRADEMARK OF  
W SCHONBEK LLC.

 **SCHONBEK** | 1870

								
MAX <u>60</u> W	110-120 V	