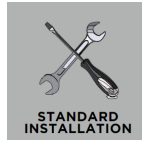



ALOFT 20 CORDLESS TABLE LAMP

MDTB792

General Product Information

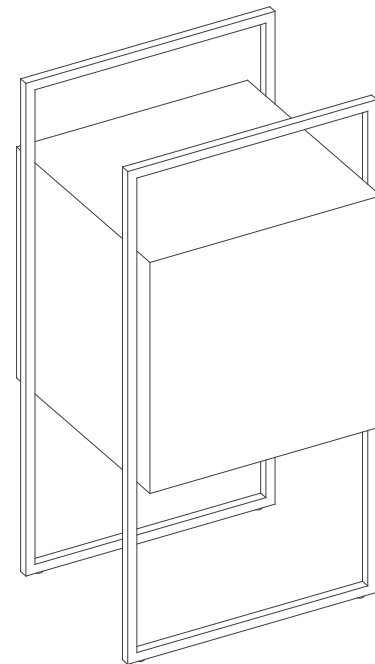


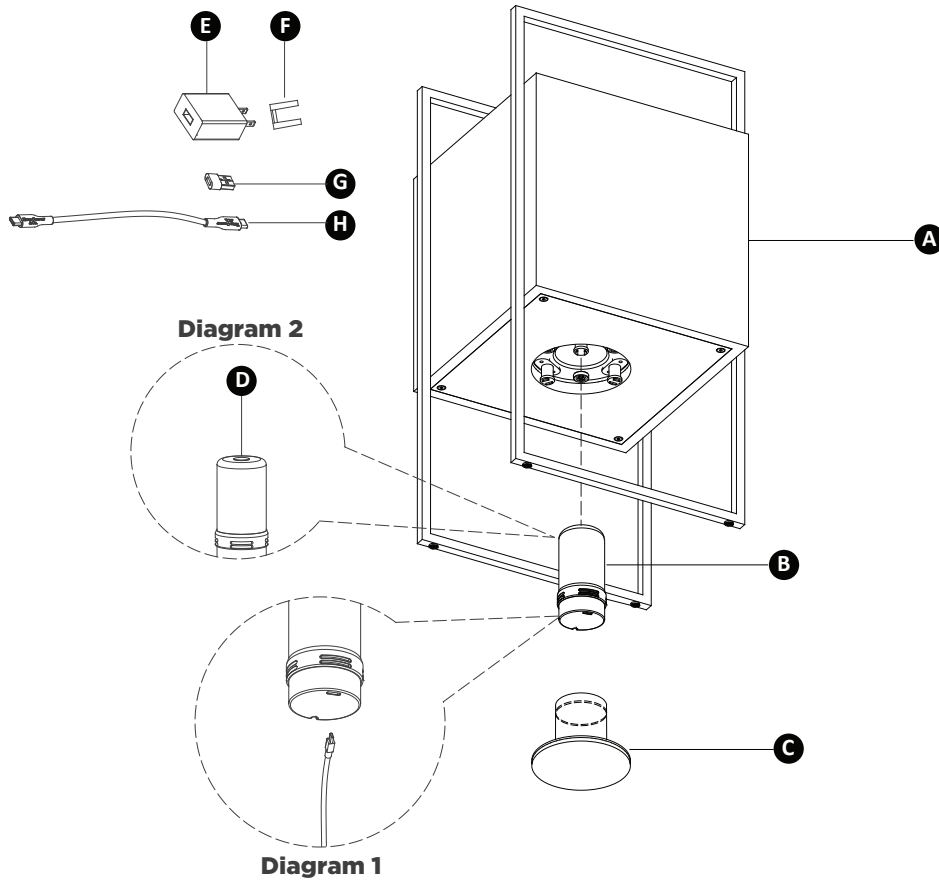
Safety Information



Turn off electrical current at the source before working with any lighting fixture or portable lamp.

Install and use this product in adherence with local electrical codes and regulations.





FIXTURE PARTS

- A. Lamp
- B. Cordless Light Module
- C. Cordless Module Holder
- D. Touch Switch
- E. Plug
- F. Protective Cover
- G. Adapter
- H. USB-C cord

INSTRUCTIONS

1. Unbox and inspect all items included in the fixture's packaging. Carefully place all parts on a clean, soft surface.
2. For best results, fully charge battery before use.
3. Press the cordless module holder to release it, then remove it from the lamp.
4. Use the touch-sensitive switch to turn the cordless module holder on/off and adjust brightness settings (see diagram 1).
5. Place the cordless light module onto the top of the cordless module holder, then insert the cordless module holder into the lamp.

CHARGING INSTRUCTIONS:

1. Press the cordless module holder to release it, then remove both the holder and the cordless light module from the lamp.
2. Connect the USB-C cable to both the power plug and the cordless light module, then plug the power plug into a wall outlet to begin charging (see diagram 2).

NOTE: For convenience, USB-C to USB-A adapter is included.