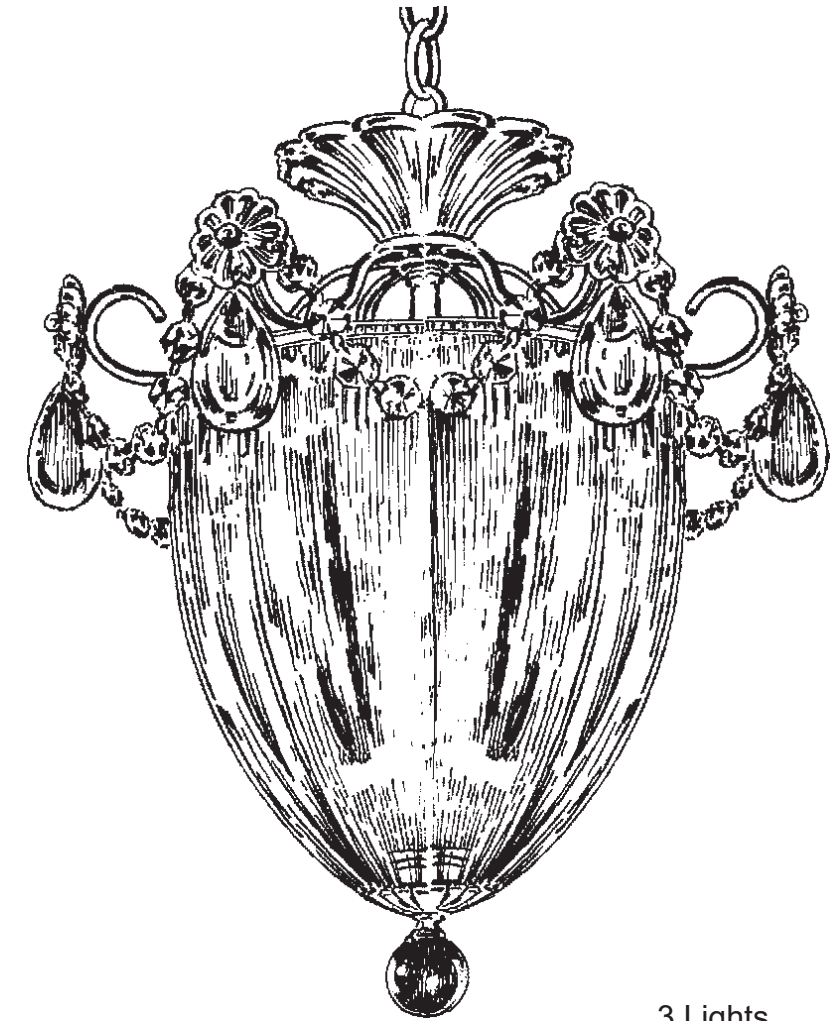


BAGATELLE 1243- _ _ _













3 Lights
Diameter: 10-1/2"
Body Length: 12-1/2"
Hanging Weight: 8 lbs.

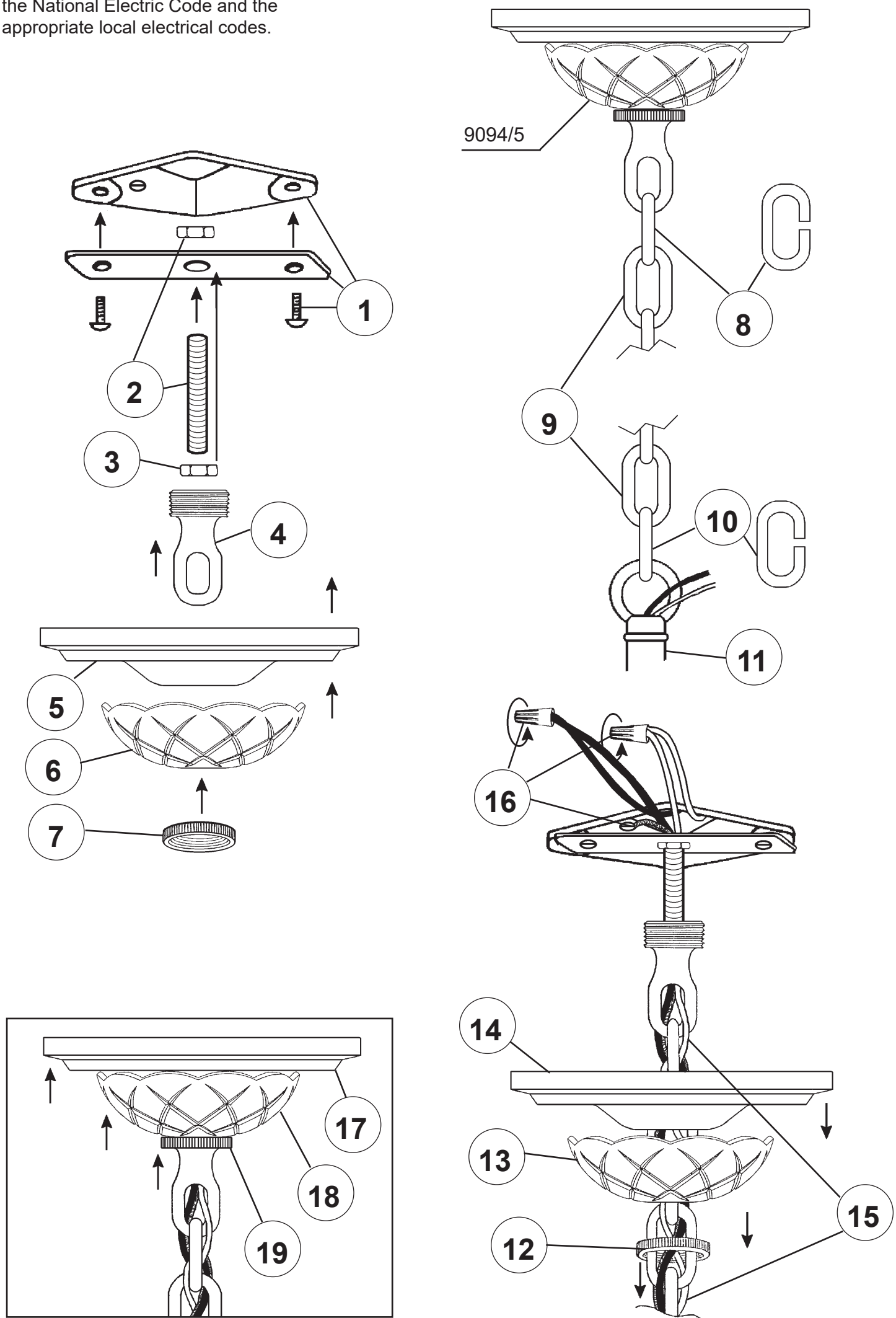
THIS DESIGN IS THE PROPRIETARY
TRADE DRESS/TRADEMARK OF
W SCHONBEK LLC.

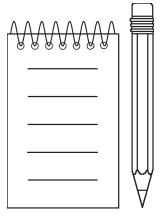
 **SCHONBEK** | 1870

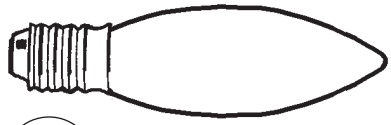
 **SCHONBEK** | 1870

								
MAX 60 W		110-120 V						

All electrical components must be installed by a licensed electrician in accordance with the National Electric Code and the appropriate local electrical codes.



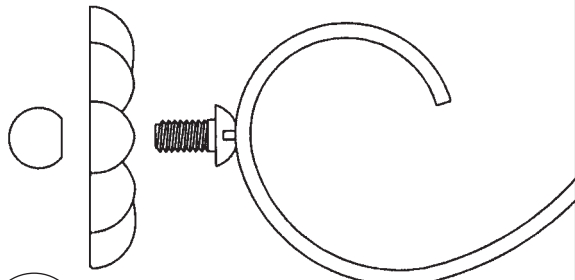




20

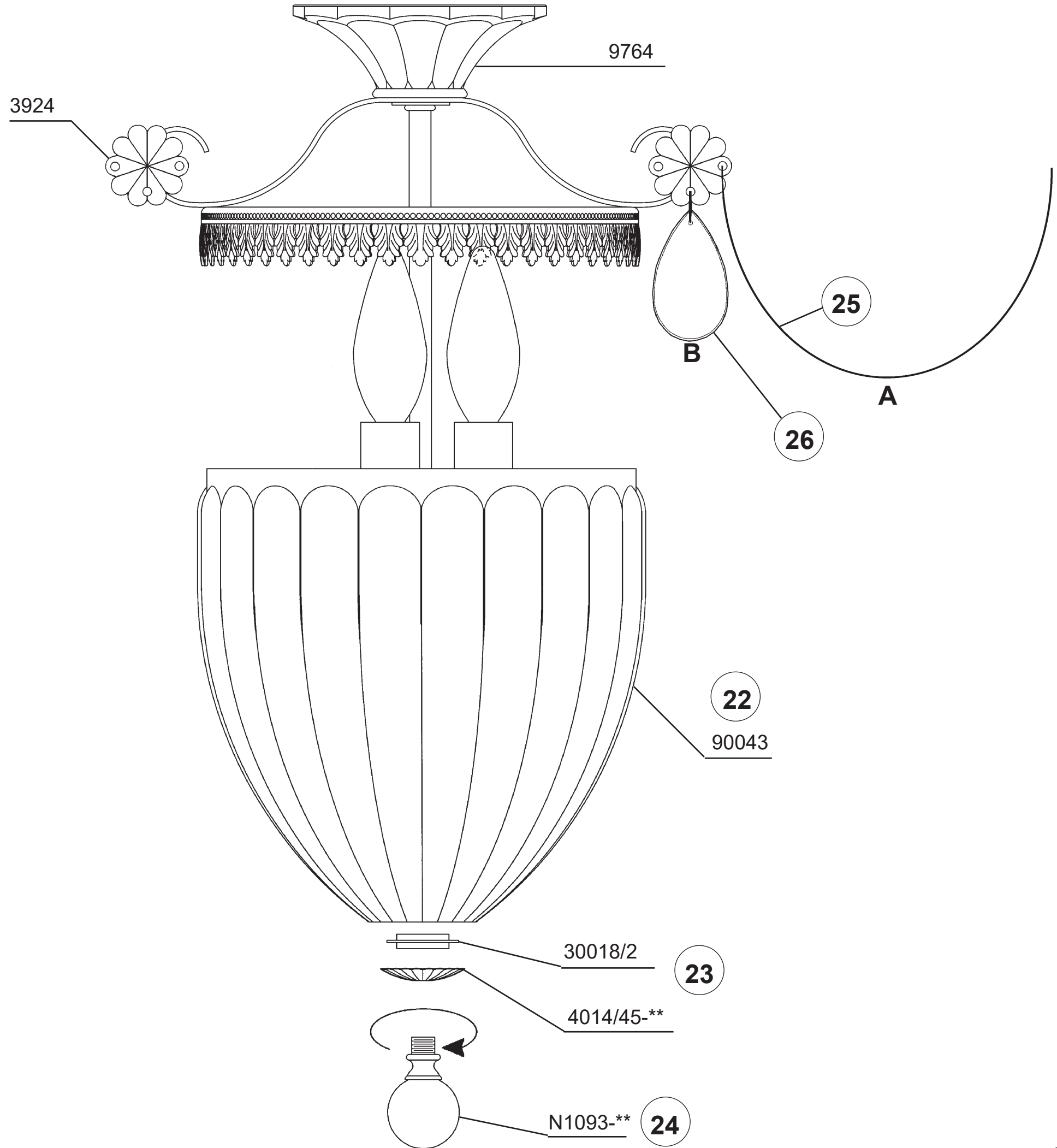
You will need 3 - B10
25 Watts Recommended
60 Watts Max

**Install bulbs and be sure
to test fixture BEFORE
trimming.**

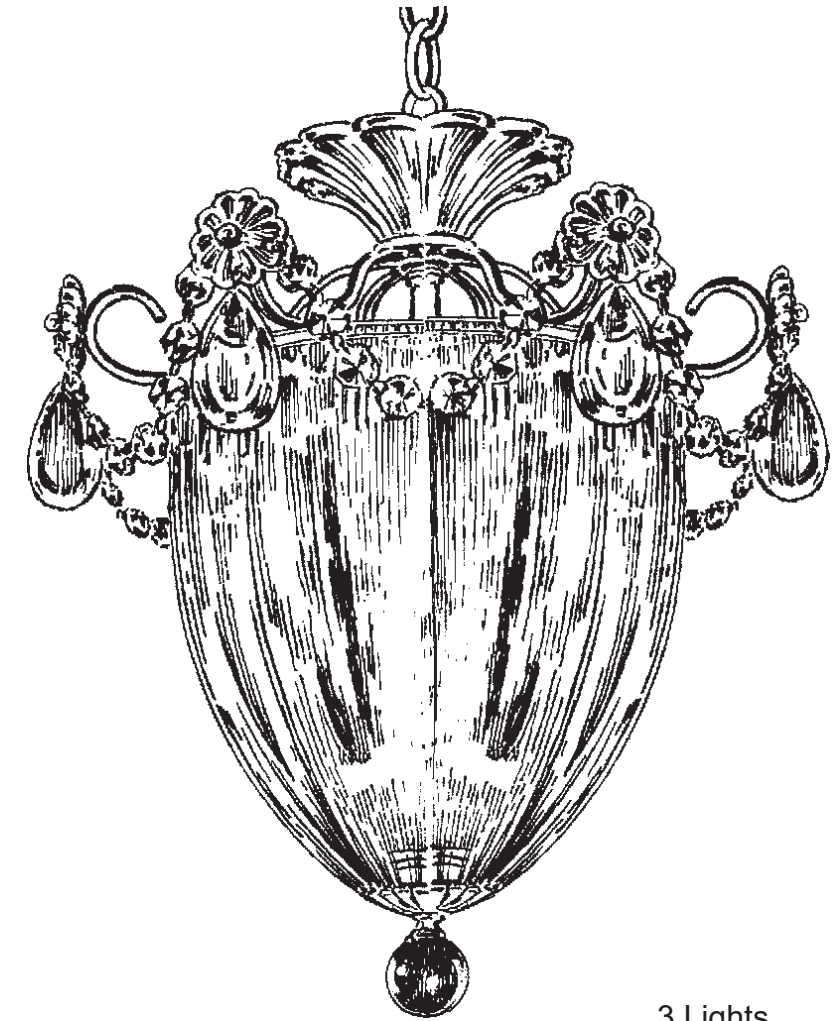


21

Slide rosettes with flat side
facing towards you onto
the screws and secure with
balls provided.



BAGATELLE 1243-__ __R













3 Lights
Diameter: 10-1/2"
Body Length: 12-1/2"
Hanging Weight: 8 lbs.

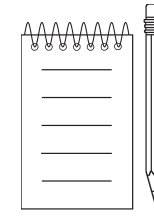
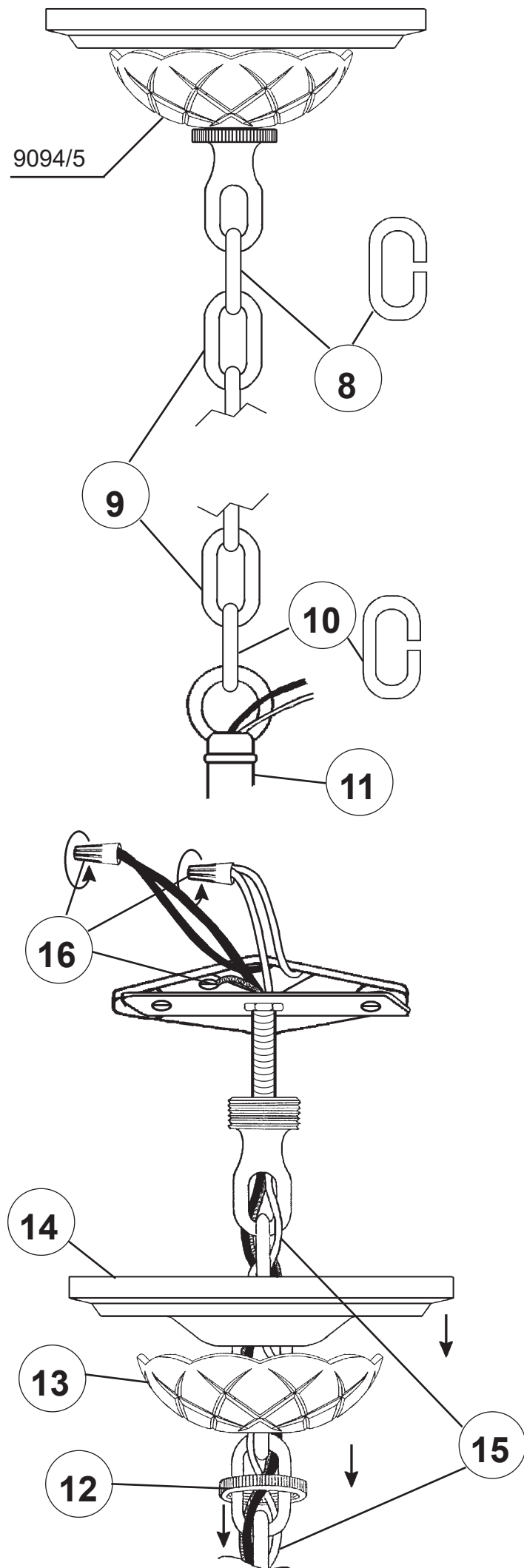
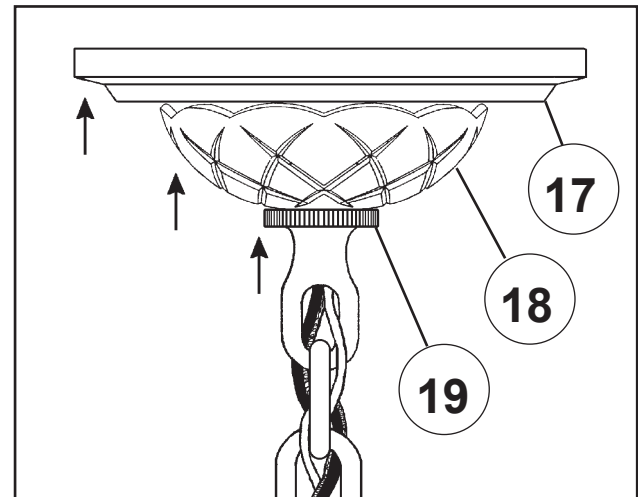
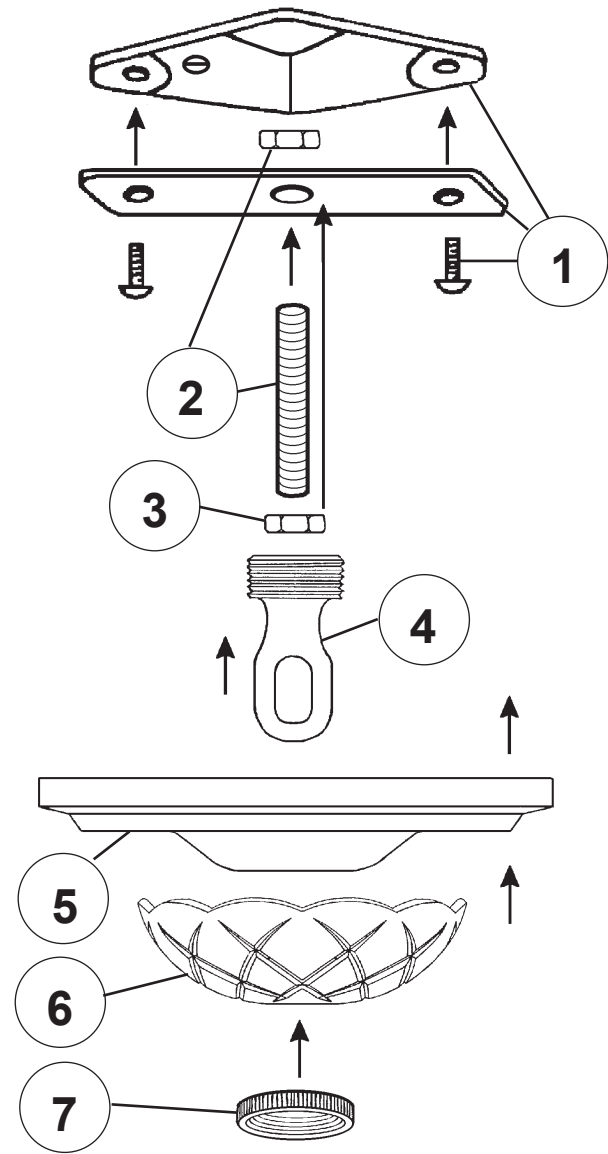
THIS DESIGN IS THE PROPRIETARY TRADE DRESS/TRADEMARK OF W SCHONBEK LLC.

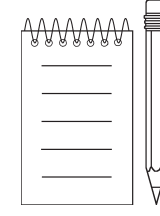
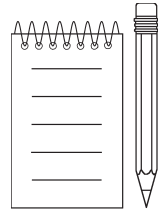
 **SCHONBEK** | 1870

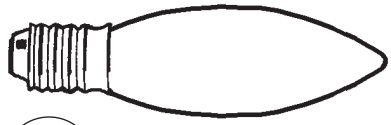
 **SCHONBEK** | 1870

								
MAX 60 W		110-120 V						

All electrical components must be installed by a licensed electrician in accordance with the National Electric Code and the appropriate local electrical codes.



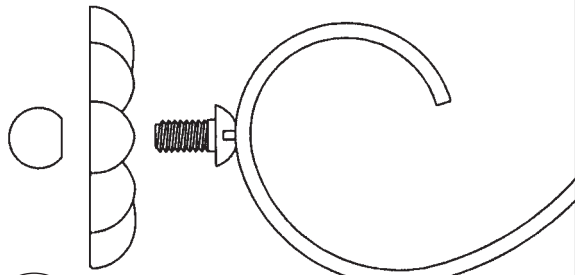




20

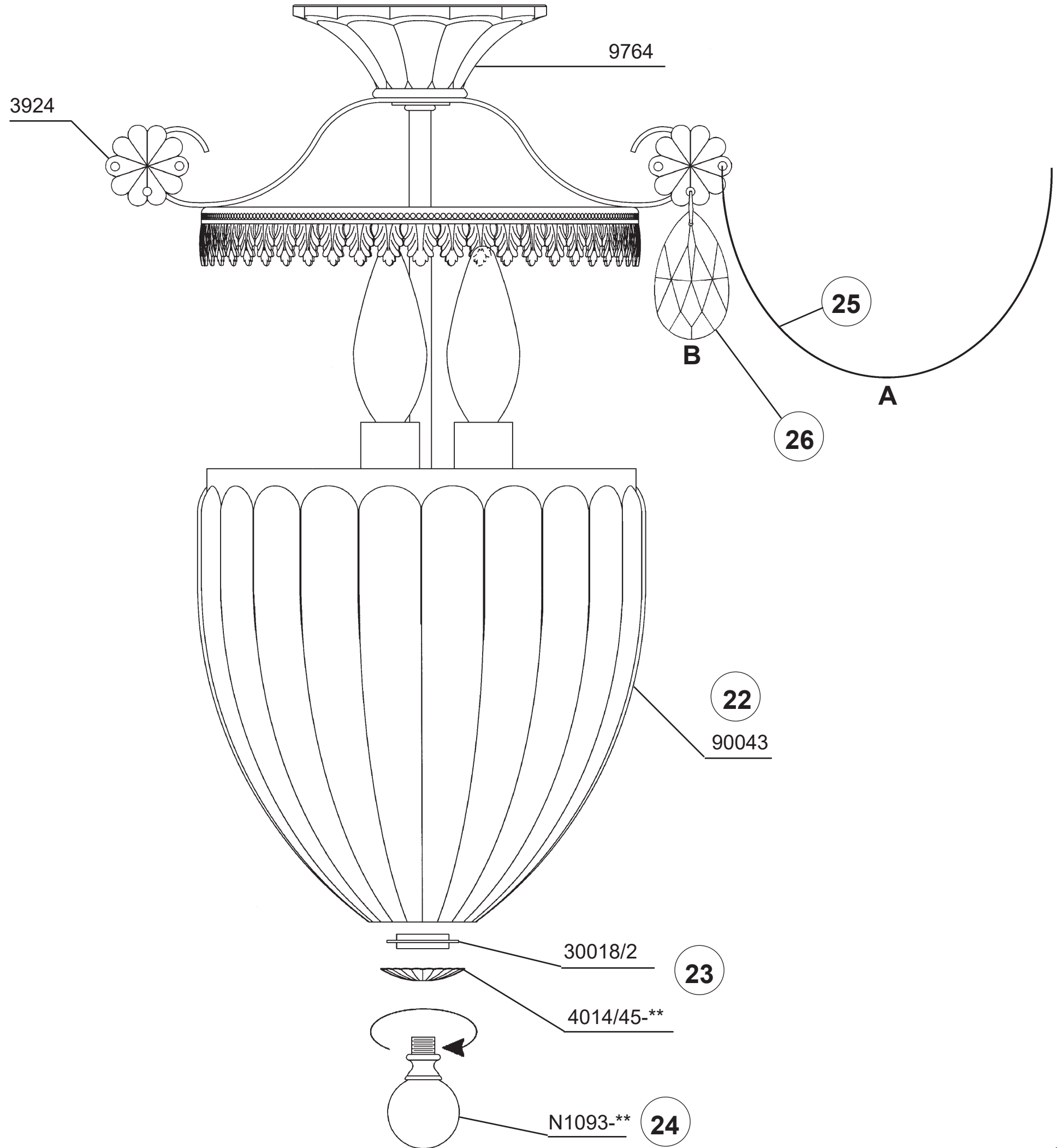
You will need 3 - B10
25 Watts Recommended
60 Watts Max

**Install bulbs and be sure
to test fixture BEFORE
trimming.**

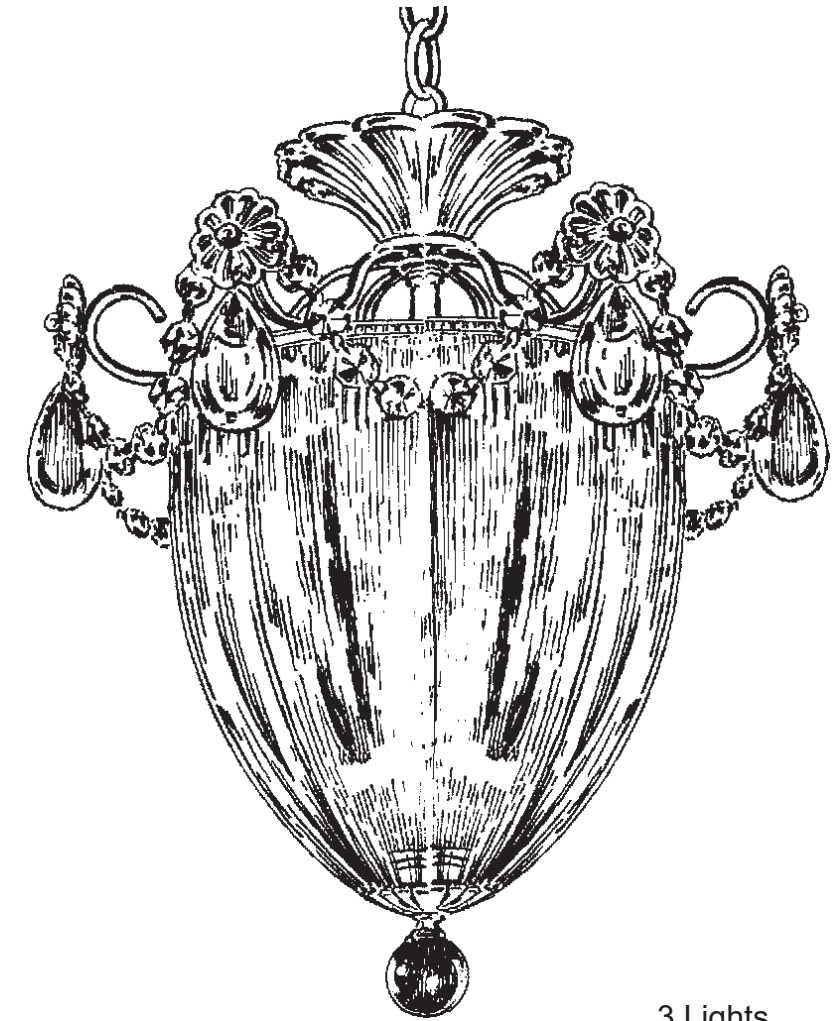


21

Slide rosettes with flat side
facing towards you onto
the screws and secure with
balls provided.



BAGATELLE 1243- _____













3 Lights
Diameter: 10-1/2"
Body Length: 12-1/2"
Hanging Weight: 8 lbs.

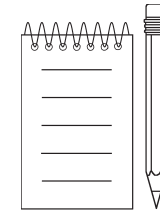
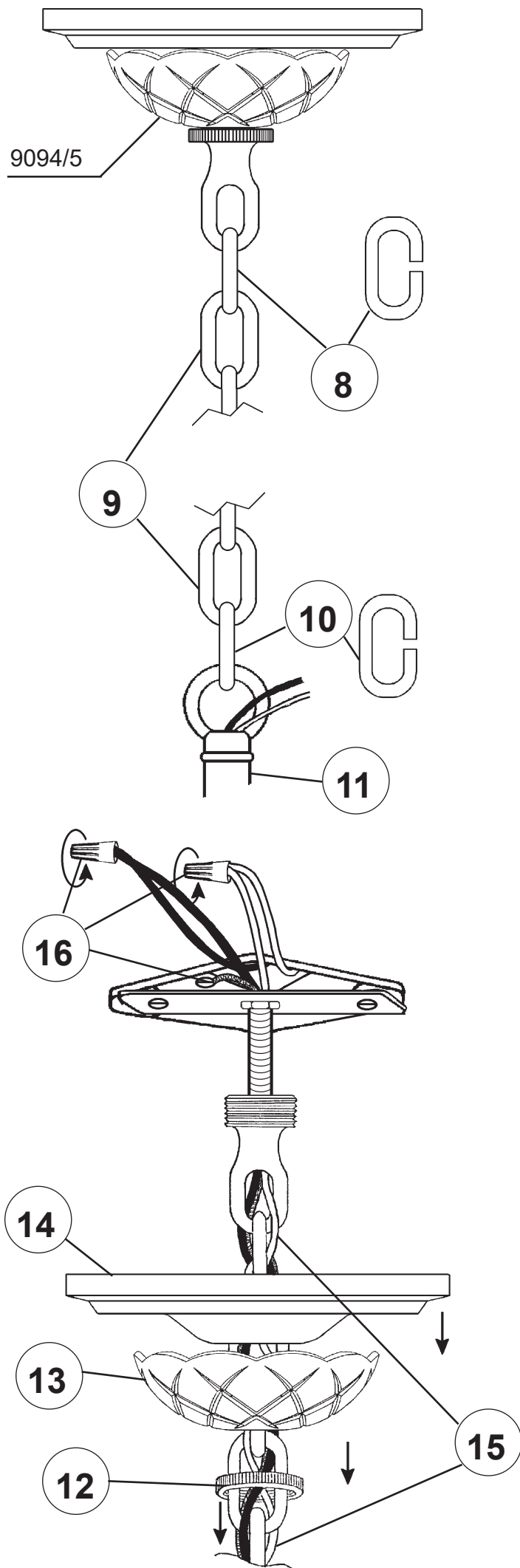
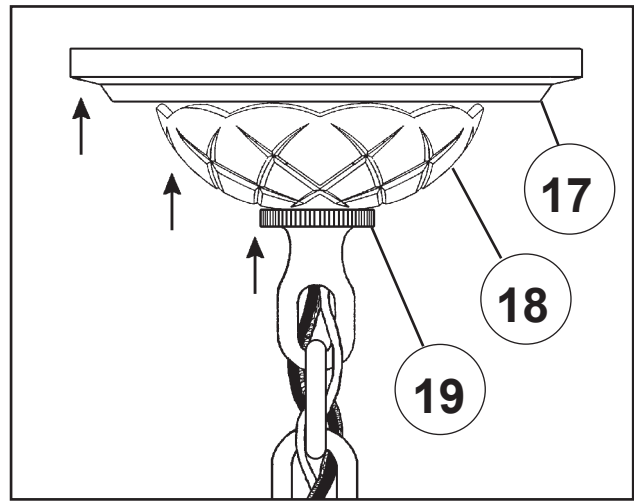
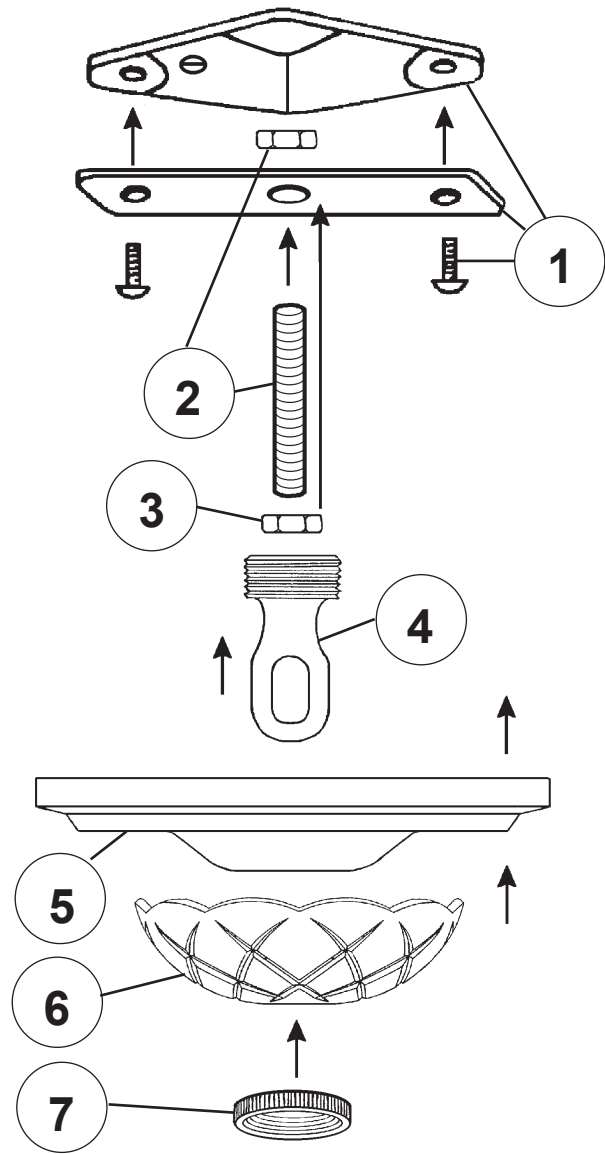
THIS DESIGN IS THE PROPRIETARY
TRADE DRESS/TRADEMARK OF
W SCHONBEK LLC.

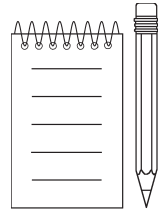
 **SCHONBEK** | 1870

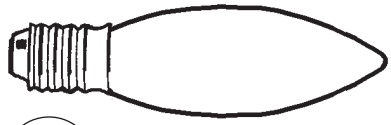
 **SCHONBEK** | 1870

								
MAX 60 W		110-120 V						

All electrical components must be installed by a licensed electrician in accordance with the National Electric Code and the appropriate local electrical codes.



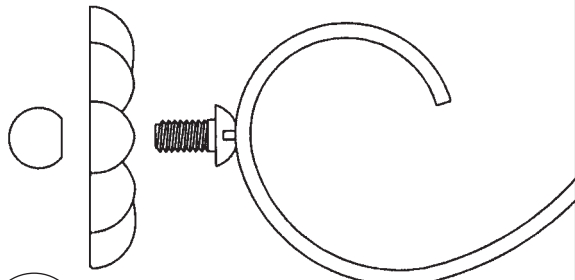




20

You will need 3 - B10
25 Watts Recommended
60 Watts Max

**Install bulbs and be sure
to test fixture BEFORE
trimming.**



21

Slide rosettes with flat side
facing towards you onto
the screws and secure with
balls provided.

