

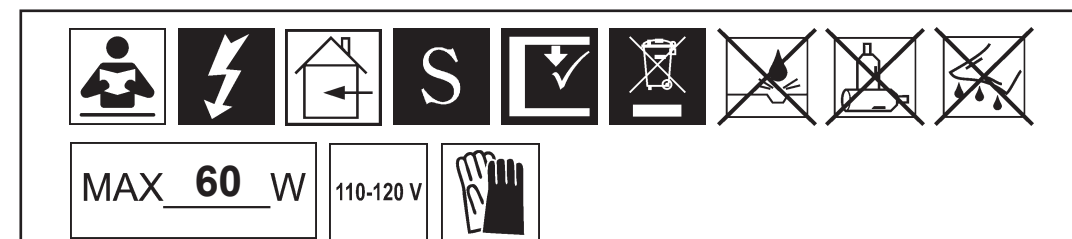
NAPOLI
S7605N- __ __R



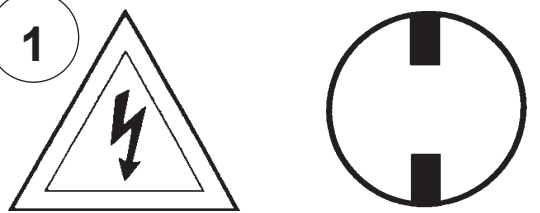
THIS DESIGN IS THE PROPRIETARY
TRADE DRESS/TRADEMARK OF
W SCHONBEK LLC.

SCHONBEK
*Signature*TM

SCHONBEK
*Signature*TM

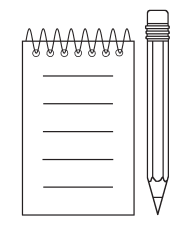
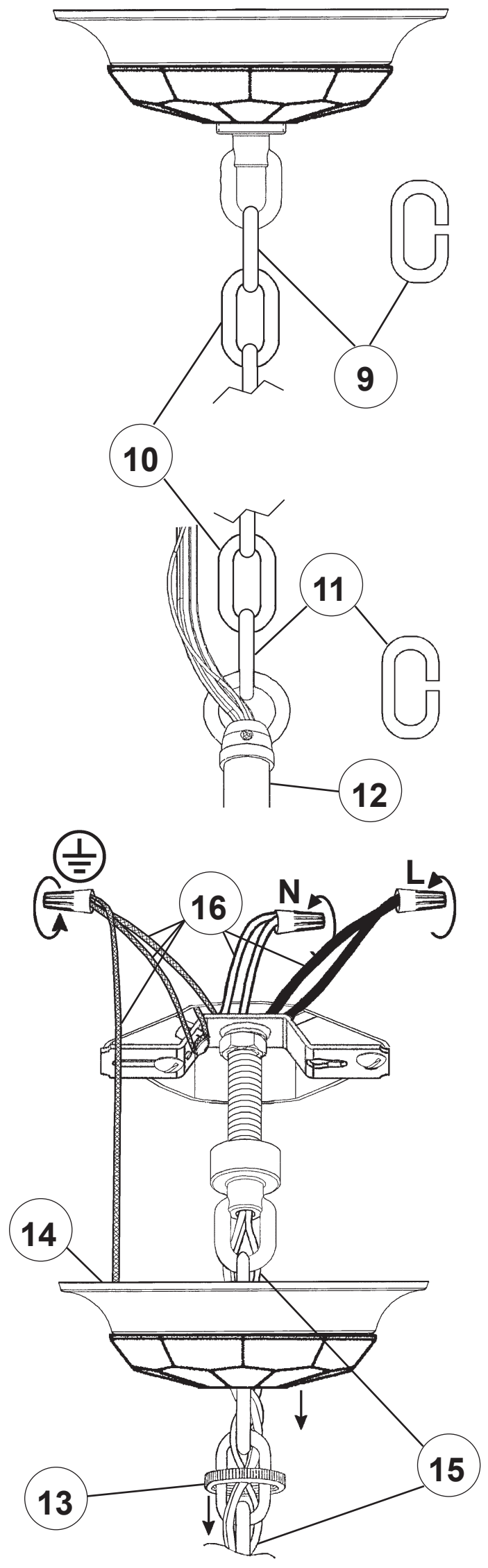
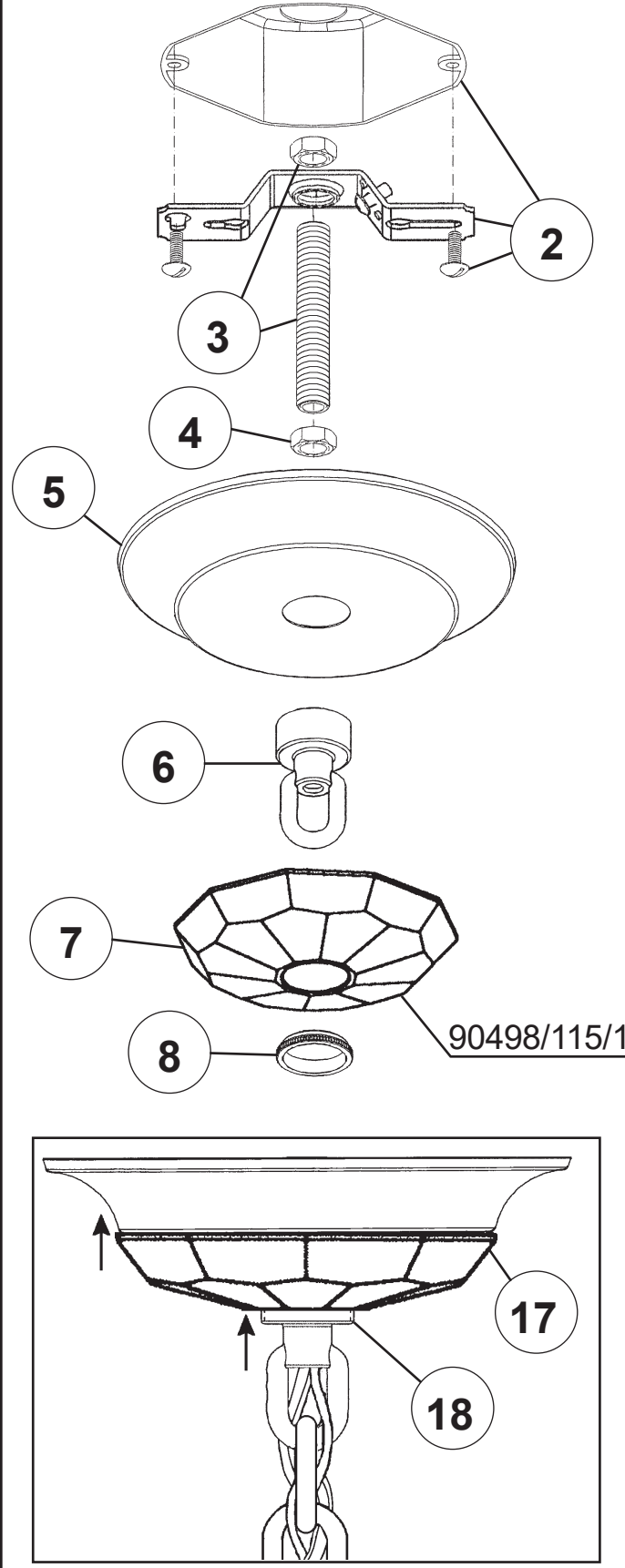


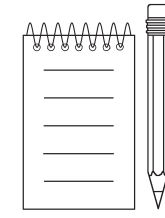
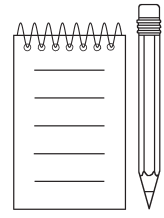
WARNING:

1 

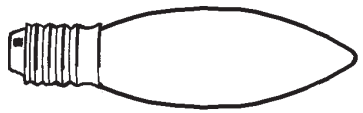
Electrical Danger Turn Power Off

All electrical components must be installed by a licensed electrician in accordance with the National Electric Code and the appropriate local electrical codes.





20



You will need 5 - B10
25 Watts Recommended
60 Watts Max

