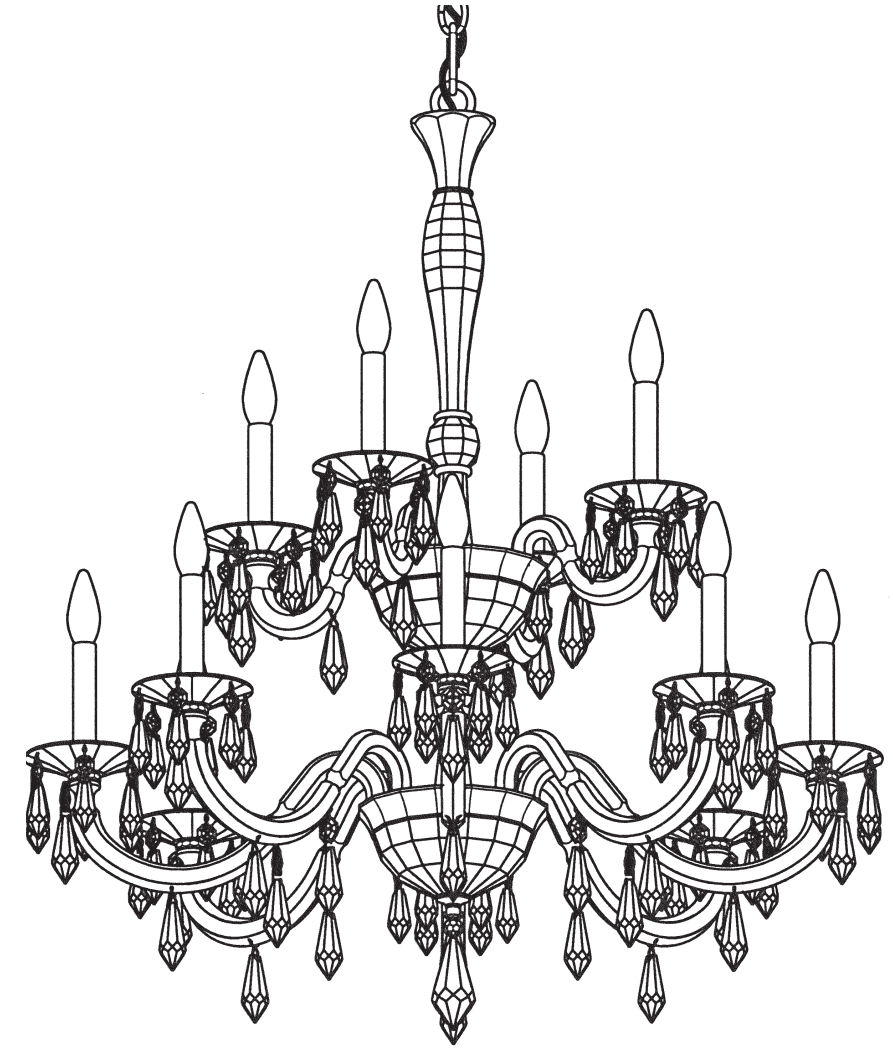


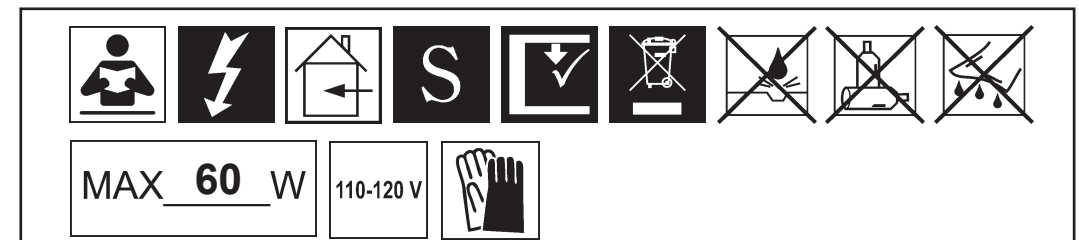
SCHONBEK  
*Signature*<sup>™</sup>

NAPOLI  
S7612N-\_\_ \_\_R

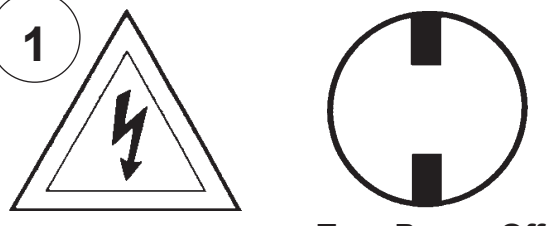


**T**HIS DESIGN IS THE PROPRIETARY  
TRADE DRESS/TRADEMARK OF  
W SCHONBEK LLC.

SCHONBEK  
*Signature*<sup>™</sup>

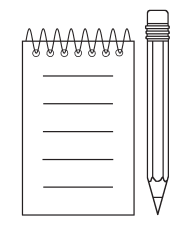
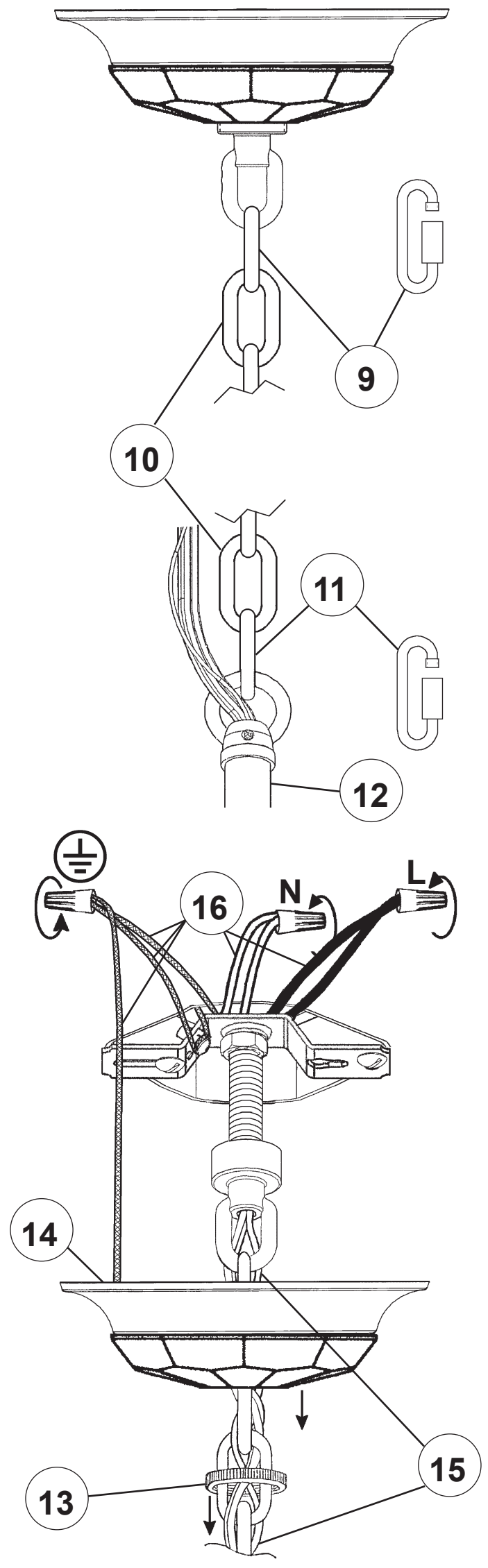
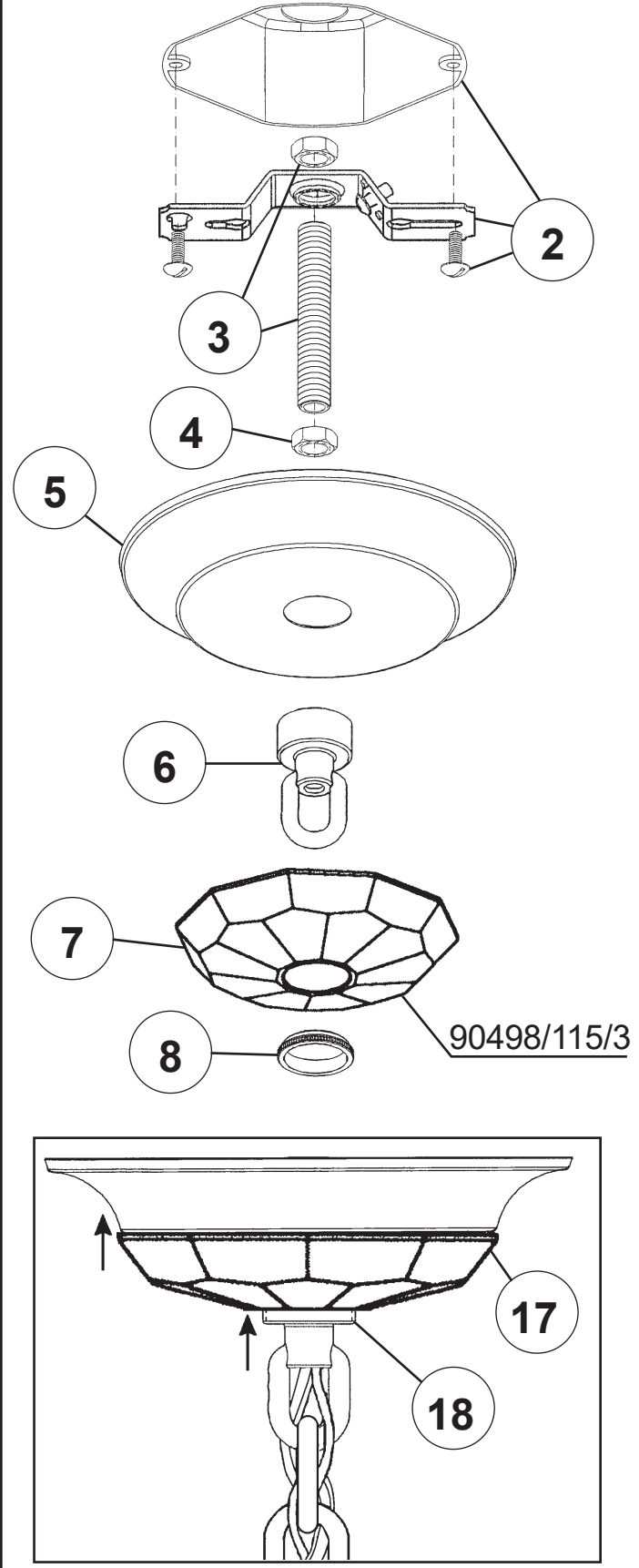


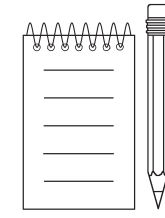
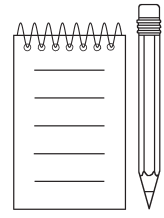
**WARNING:**



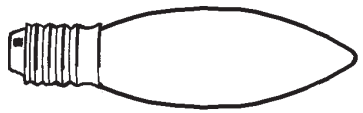
**1** Electrical Danger Turn Power Off

All electrical components must be installed by a licensed electrician in accordance with the National Electric Code and the appropriate local electrical codes.





21



You will need 12 - B10  
25 Watts Recommended  
60 Watts Max

