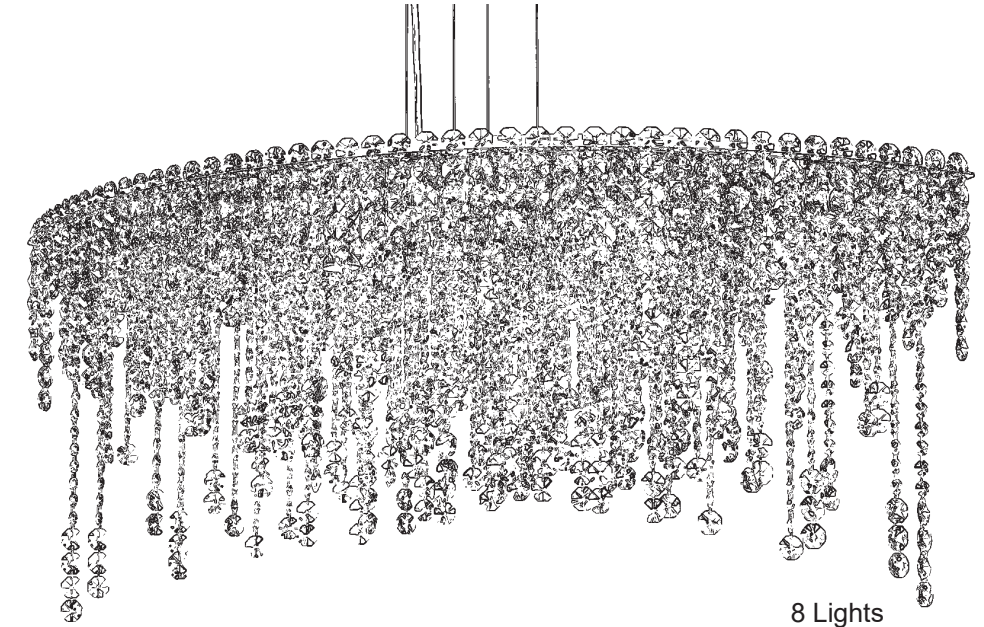


 **SCHONBEK** | 1870











# CHANTANT CH4811N- \_\_ \_\_ O



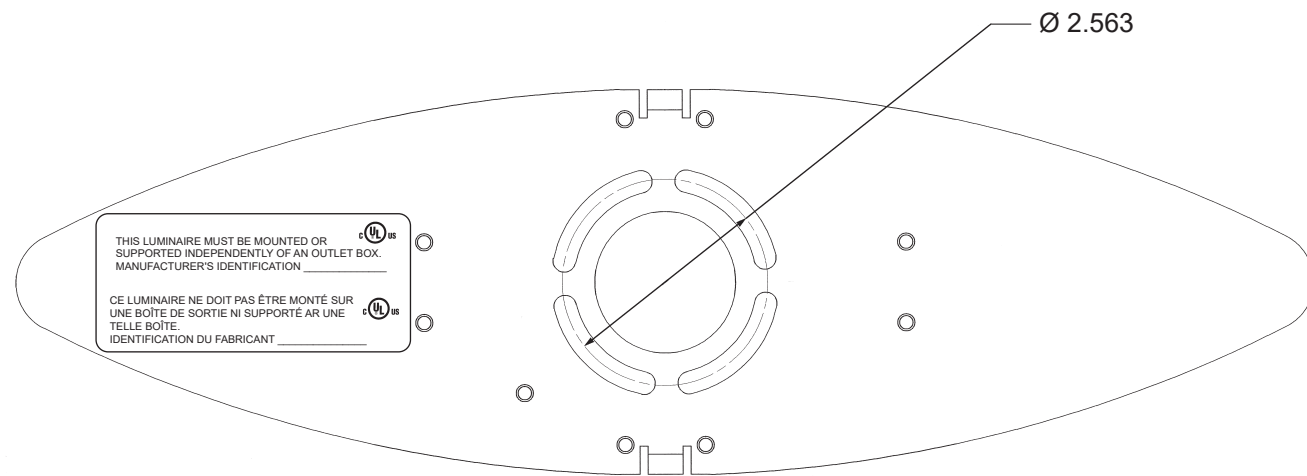
8 Lights  
Height: 18-1/2"  
Length: 43"  
Width: 22"  
Hanging Weight: 43lbs.

**T**HIS DESIGN IS THE PROPRIETARY  
TRADE DRESS/TRADEMARK OF  
W SCHONBEK LLC.

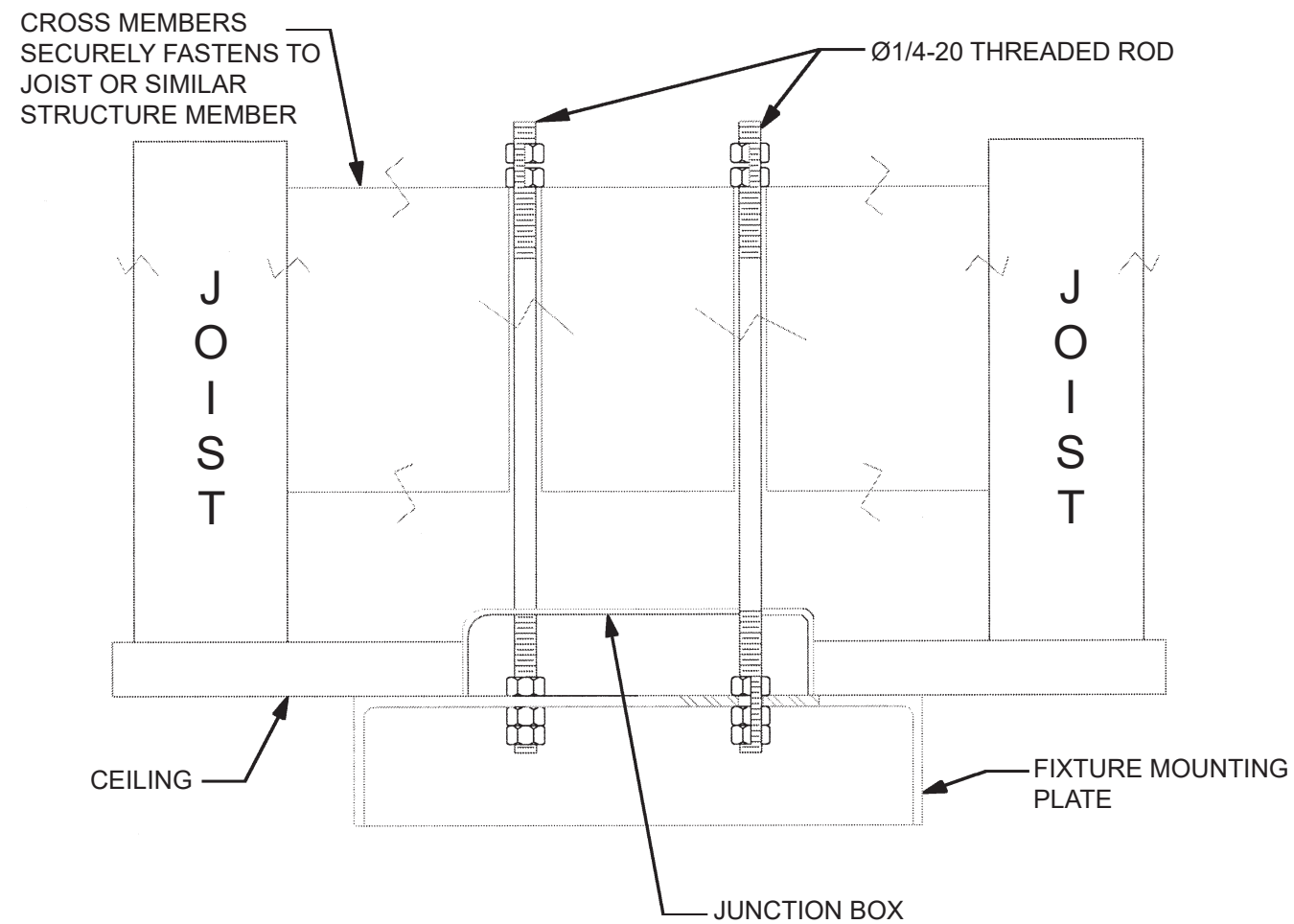
 **SCHONBEK** | 1870

								
MAX <u>50</u> W	110-120 V							

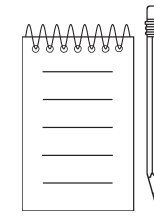
**NOTE:** INSTALLER IS SOLELY RESPONSIBLE FOR PROPER MOUNTING!

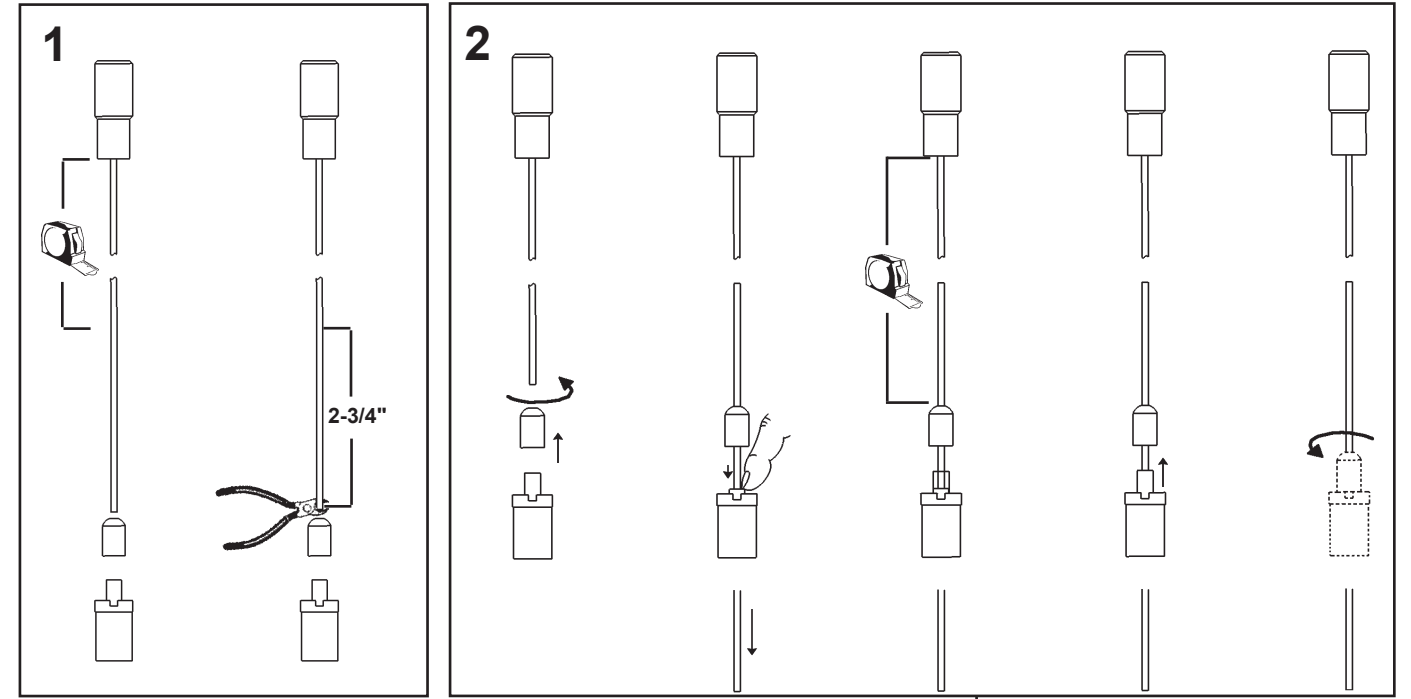
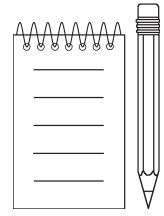


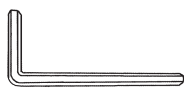
PLAN VIEW OF MOUNTING BRACKET

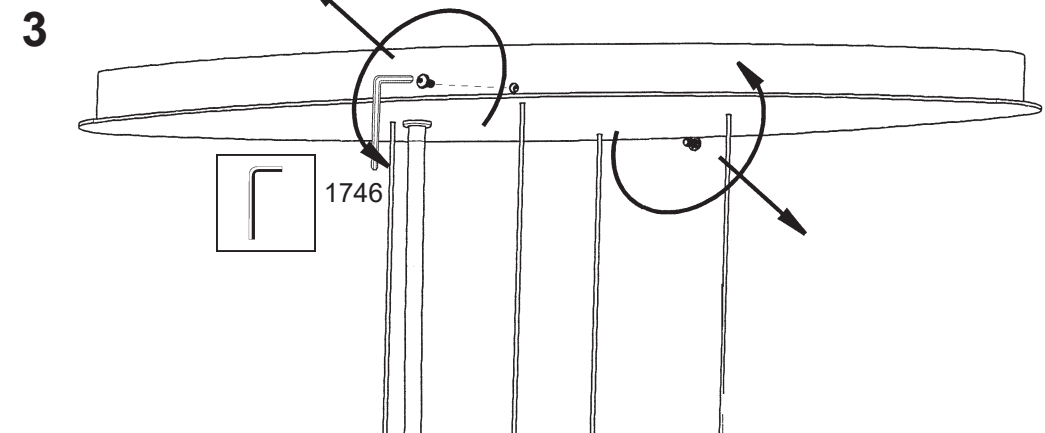


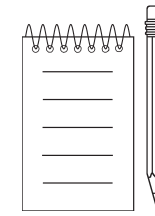
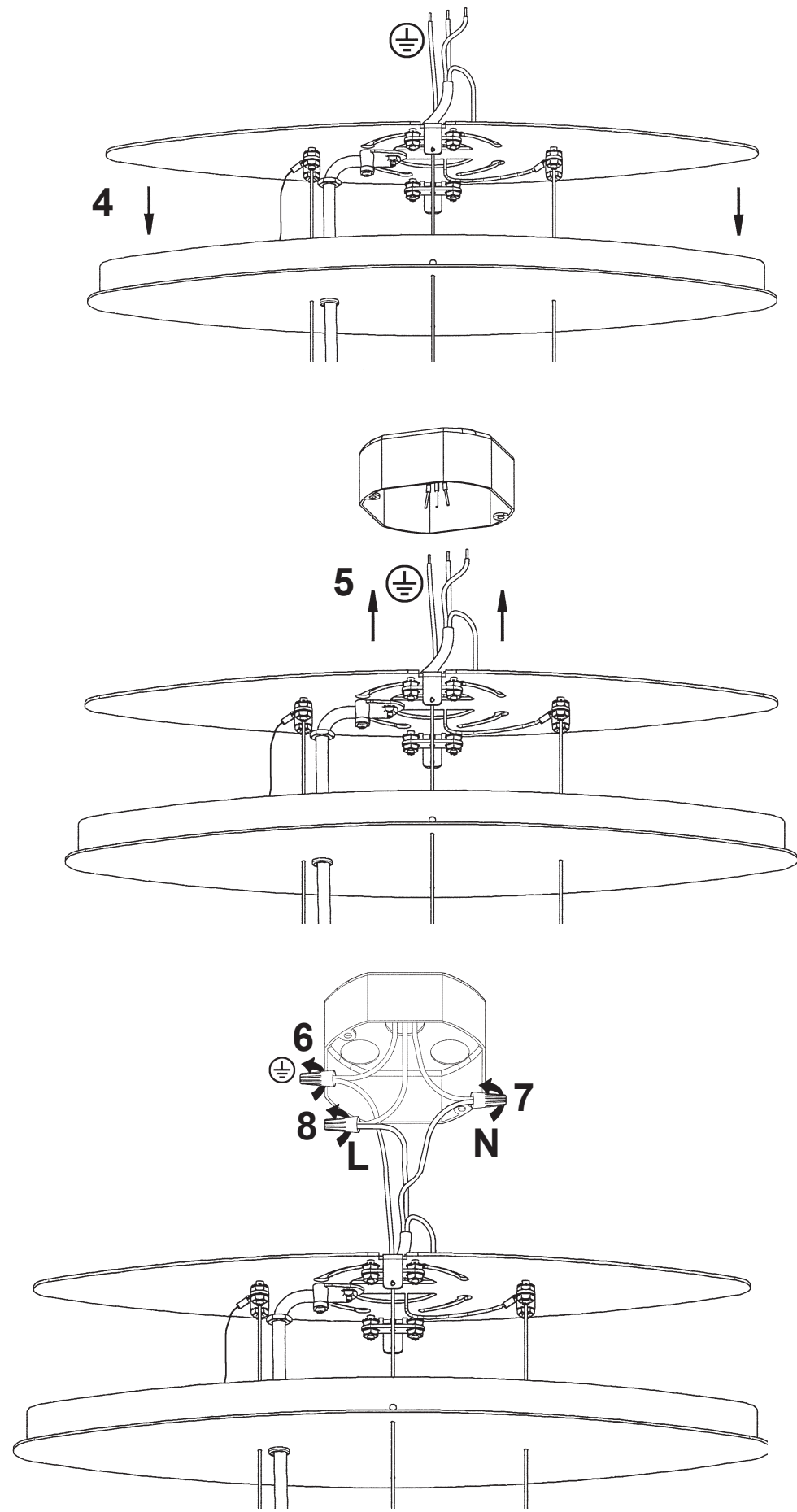
**WARNING:**  
MOUNTING CONFIGURATION AND HARDWARE MUST HOLD 4X THE WEIGHT OF THE FIXTURE. MOUNTING DESIGN AND FIXTURE INSTALLATION SHOULD BE CONDUCTED BY A QUALIFIED LICENSED PROFESSIONAL.

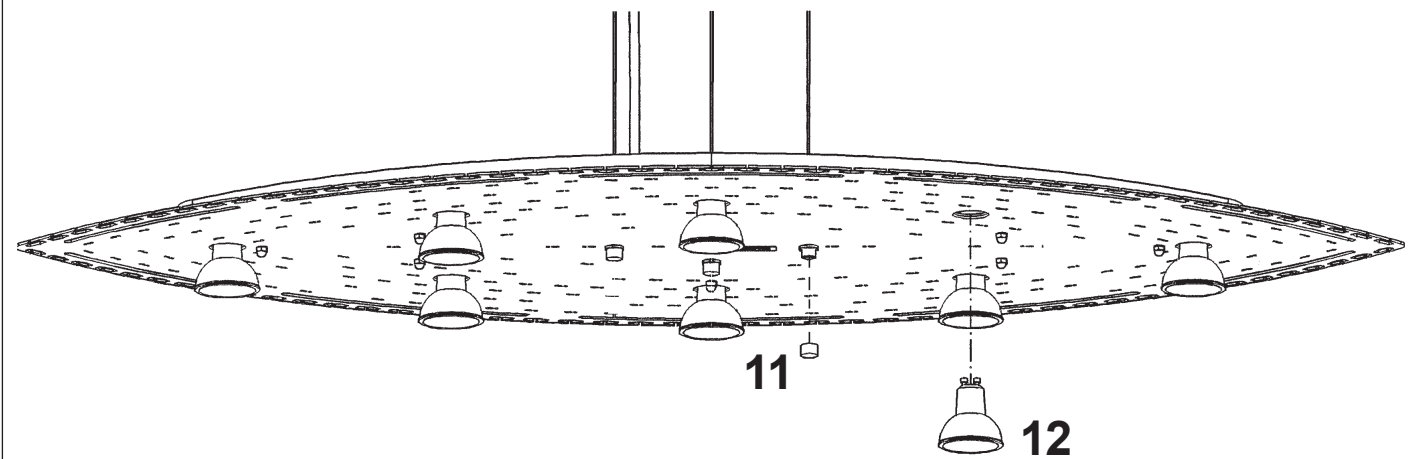
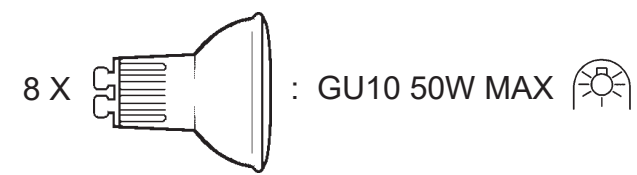
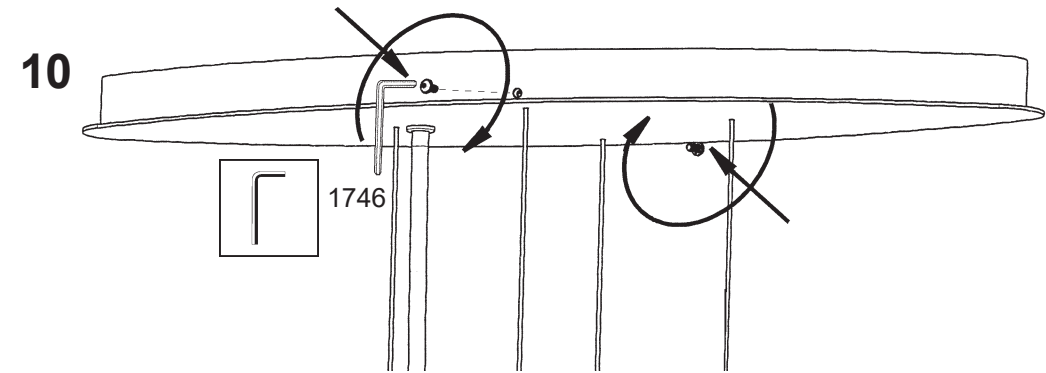
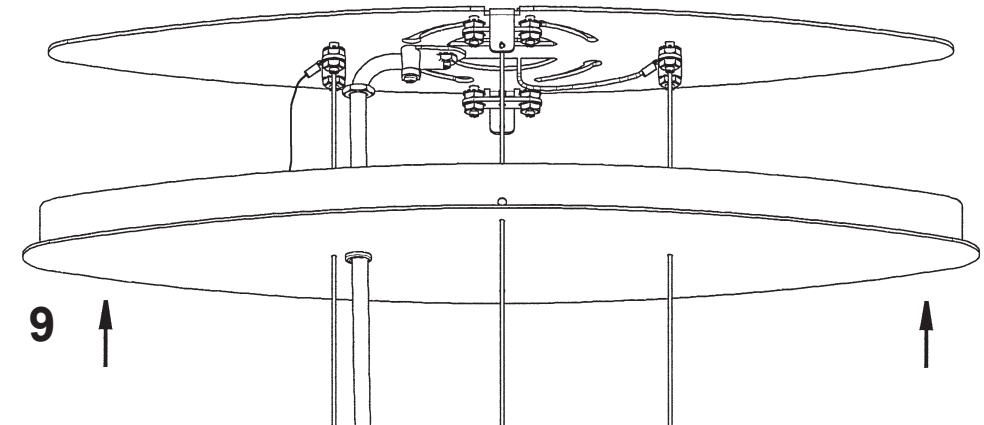
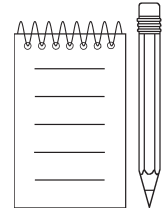


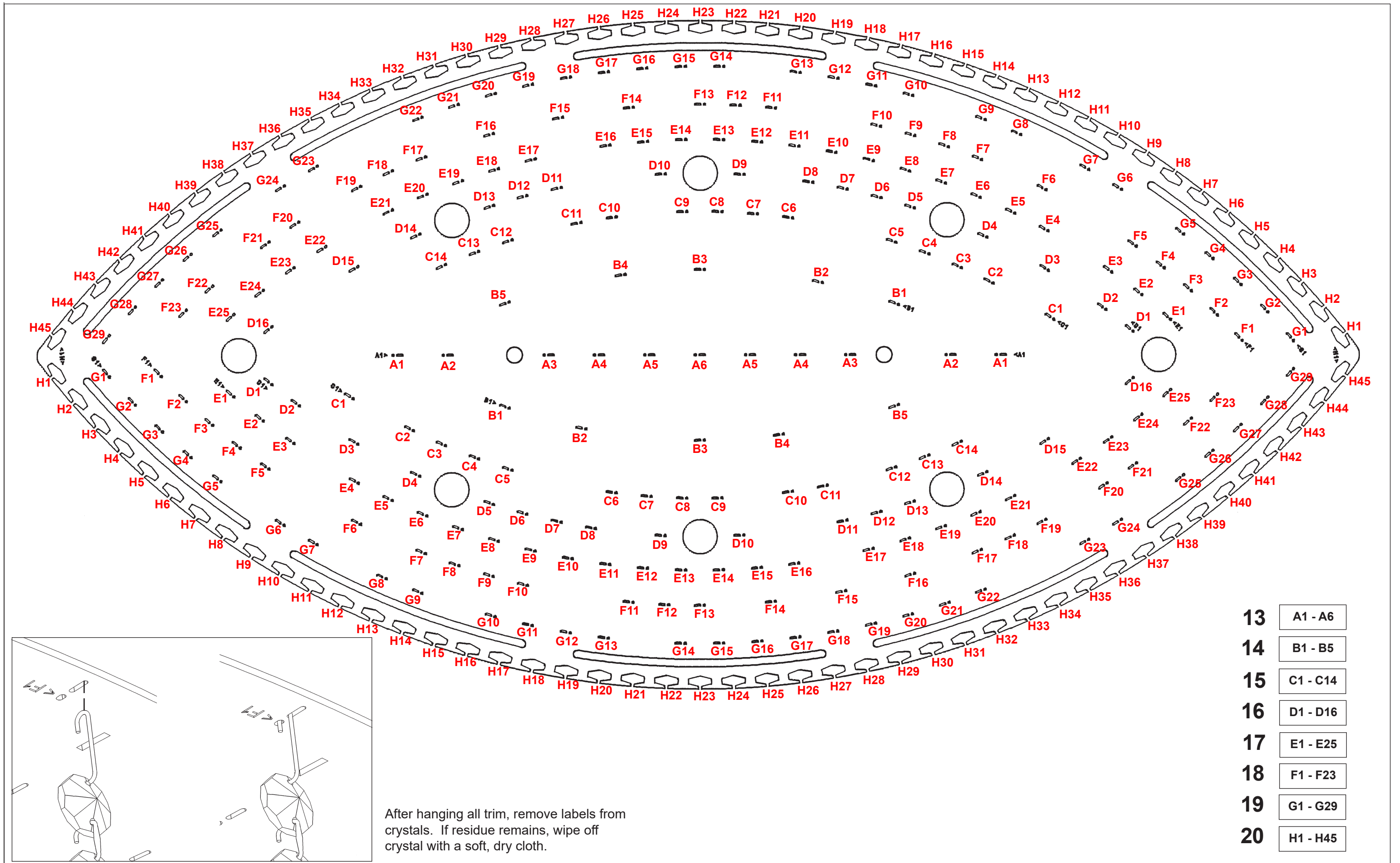


1 X  : 1746





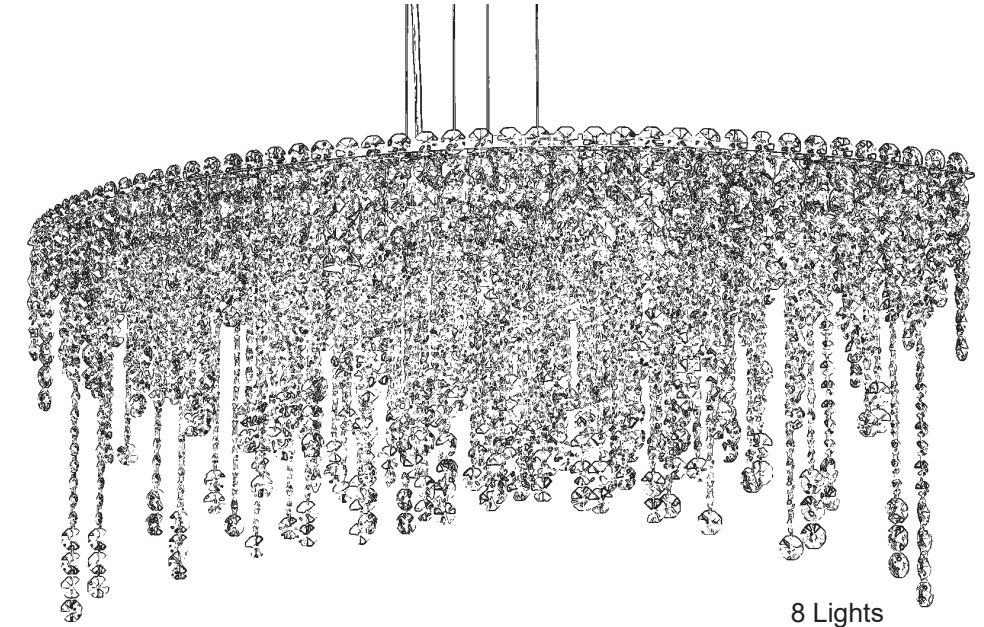




- 13** A1 - A6
- 14** B1 - B5
- 15** C1 - C14
- 16** D1 - D16
- 17** E1 - E25
- 18** F1 - F23
- 19** G1 - G29
- 20** H1 - H45

 **SCHONBEK** | 1870











# CHANTANT CH4811N- \_\_ \_\_ R



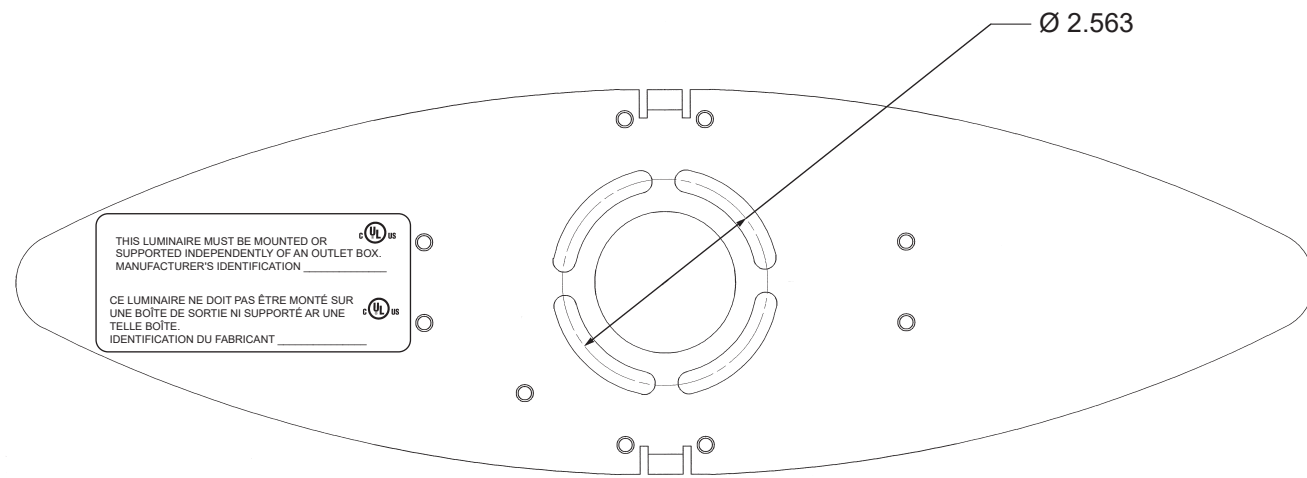
8 Lights  
Height: 18-1/2"  
Length: 43"  
Width: 22"  
Hanging Weight: 43lbs.

**T**HIS DESIGN IS THE PROPRIETARY  
TRADE DRESS/TRADEMARK OF  
W SCHONBEK LLC.

 **SCHONBEK** | 1870

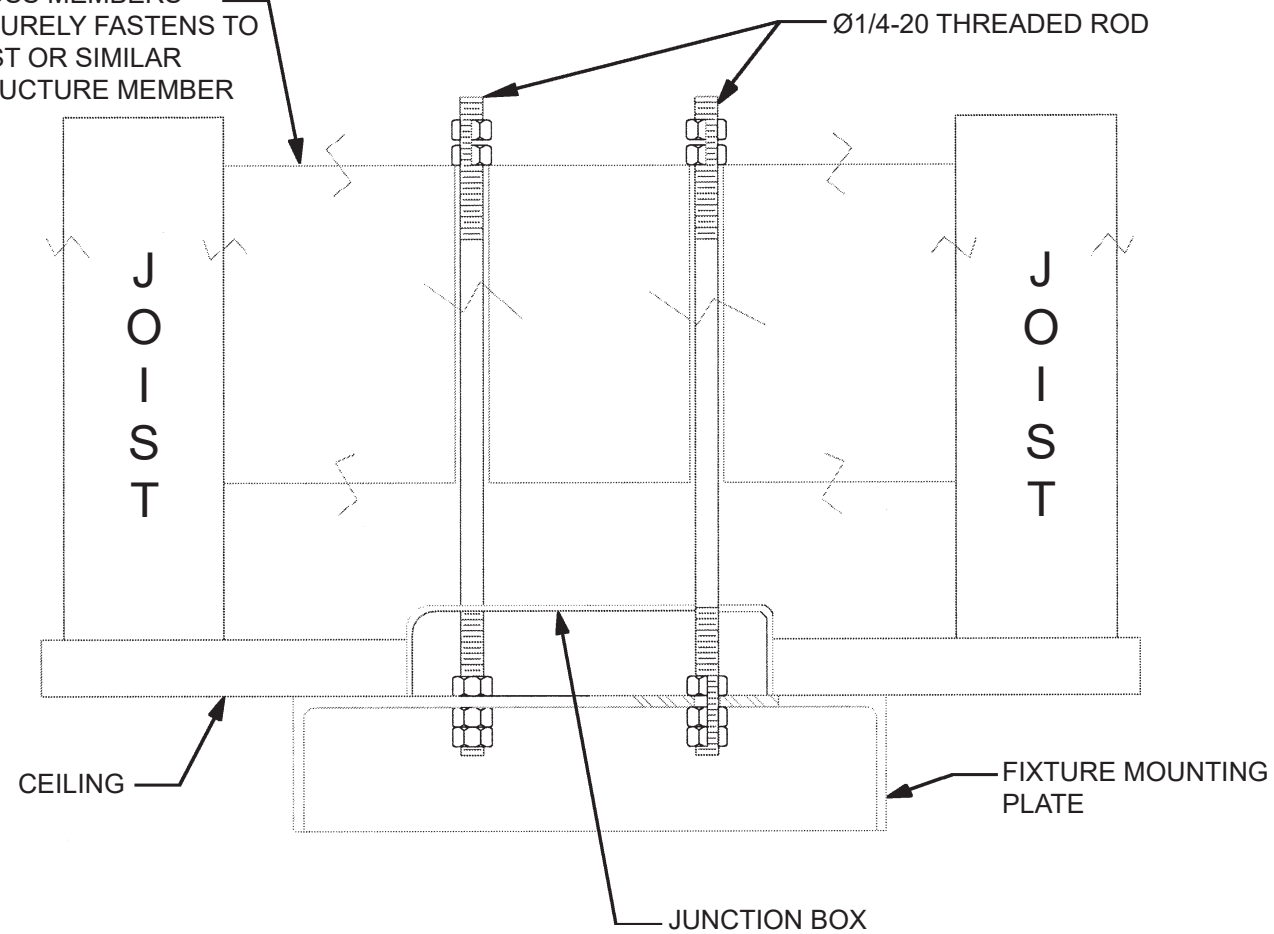
								
MAX <b>50</b> W	110-120 V							

**NOTE:** INSTALLER IS SOLELY RESPONSIBLE FOR PROPER MOUNTING!

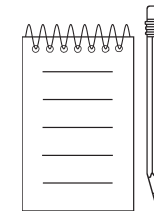


PLAN VIEW OF MOUNTING BRACKET

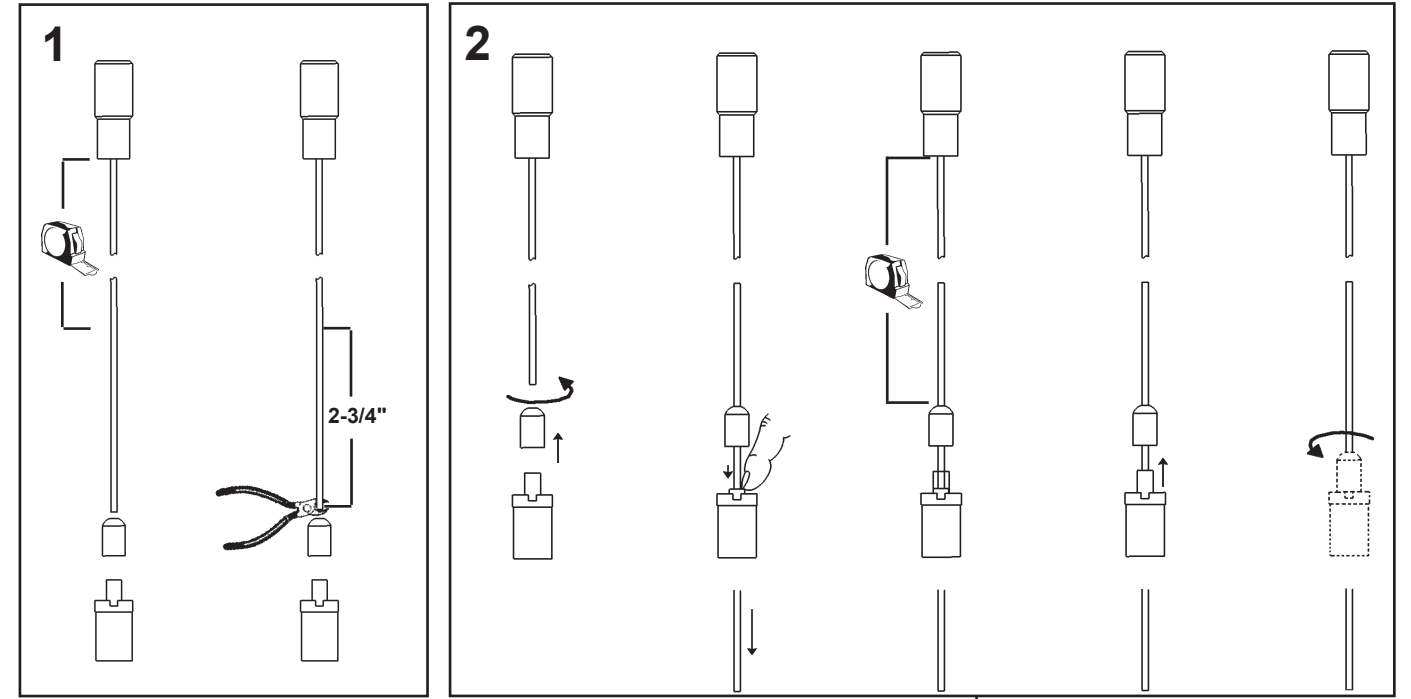
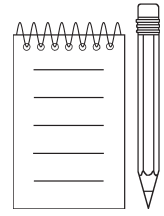
CROSS MEMBERS SECURELY FASTENS TO JOIST OR SIMILAR STRUCTURE MEMBER




**WARNING:**  
MOUNTING CONFIGURATION AND HARDWARE MUST HOLD 4X THE WEIGHT OF THE FIXTURE. MOUNTING DESIGN AND FIXTURE INSTALLATION SHOULD BE CONDUCTED BY A QUALIFIED LICENSED PROFESSIONAL.







1 X  : 1746

