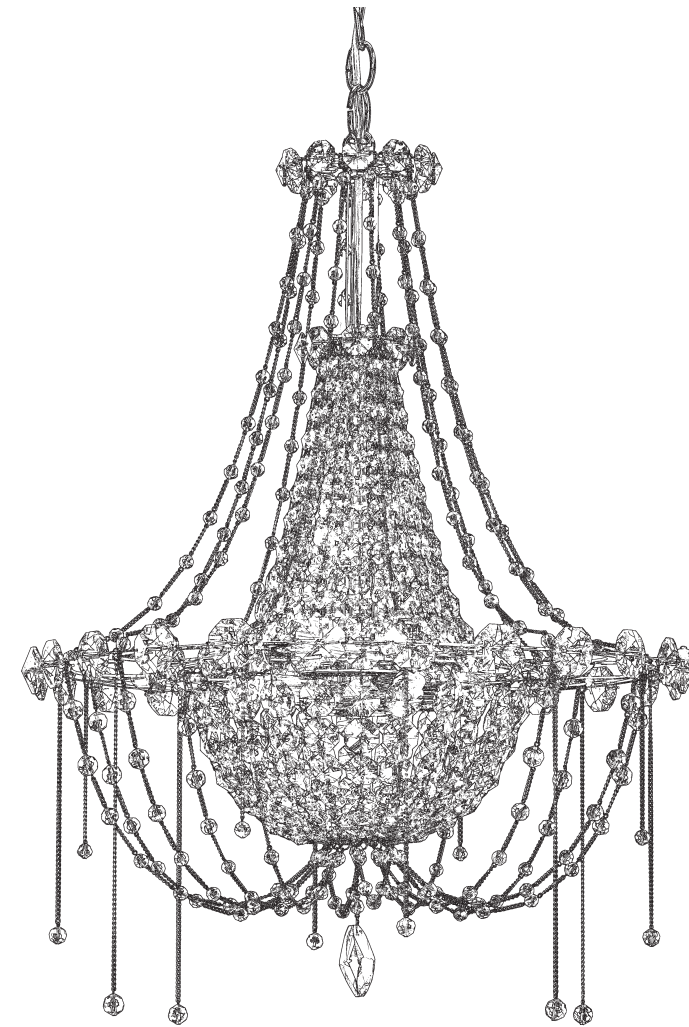


CHRYSALITA CM8319N-__ __O













6 Lights
Diameter: 18-1/2"
Height: 25-1/2"
Hanging Weight: 10lbs.

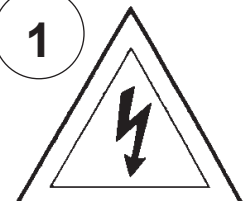
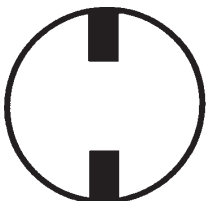
THIS DESIGN IS THE PROPRIETARY
TRADE DRESS/TRADEMARK OF
W SCHONBEK LLC.

 **SCHONBEK** | 1870

 **SCHONBEK** | 1870

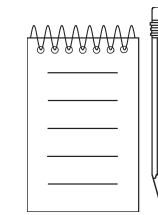
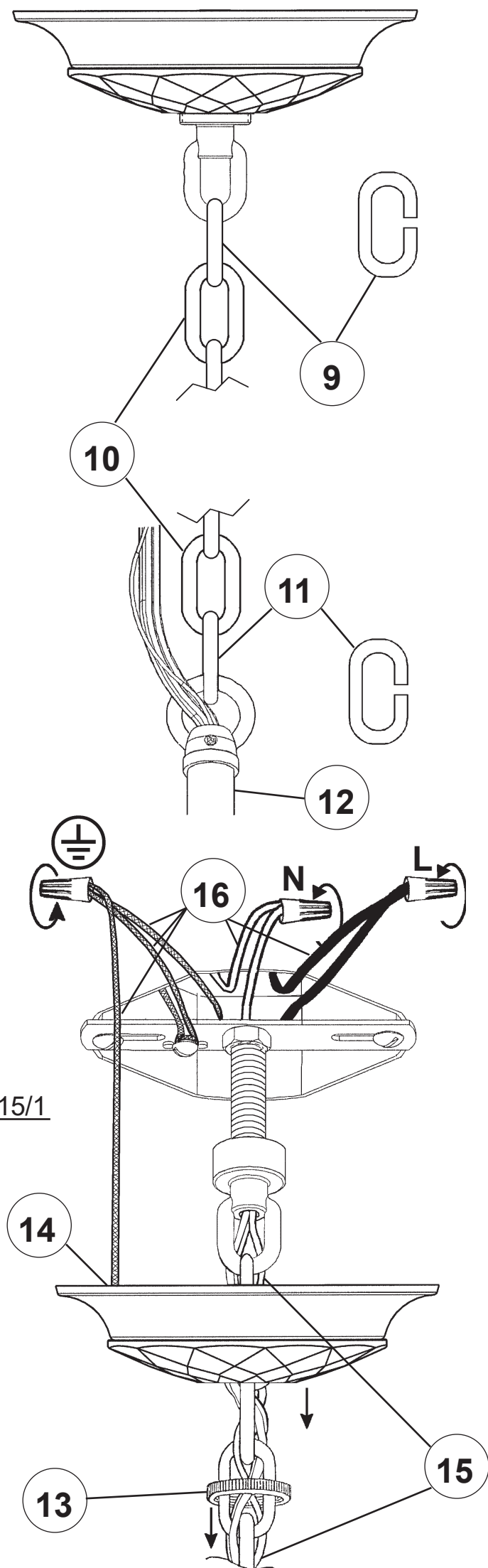
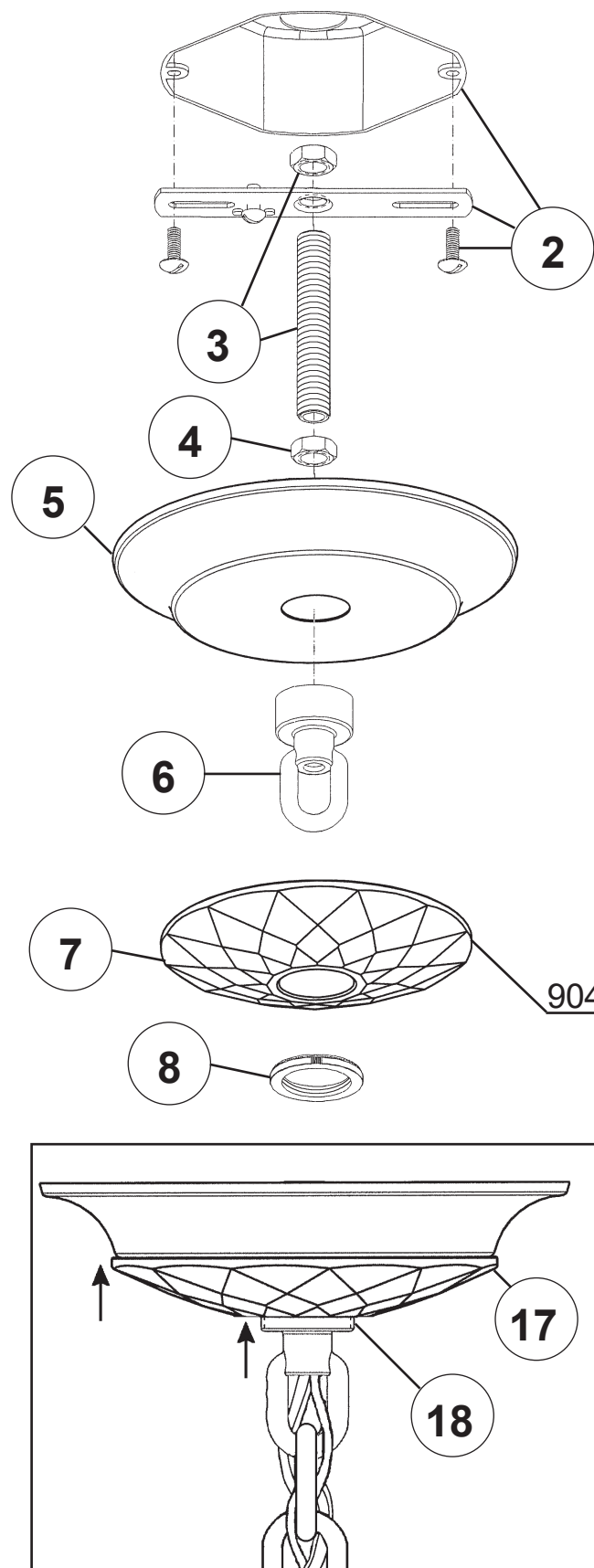
								
MAX <u>40</u> W	110-120 V							

WARNING:

1  

Electrical Danger Turn Power Off

All electrical components must be installed by a licensed electrician in accordance with the National Electric Code and the appropriate local electrical codes.

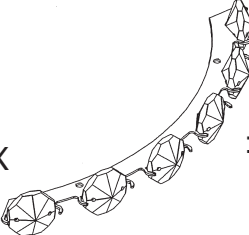


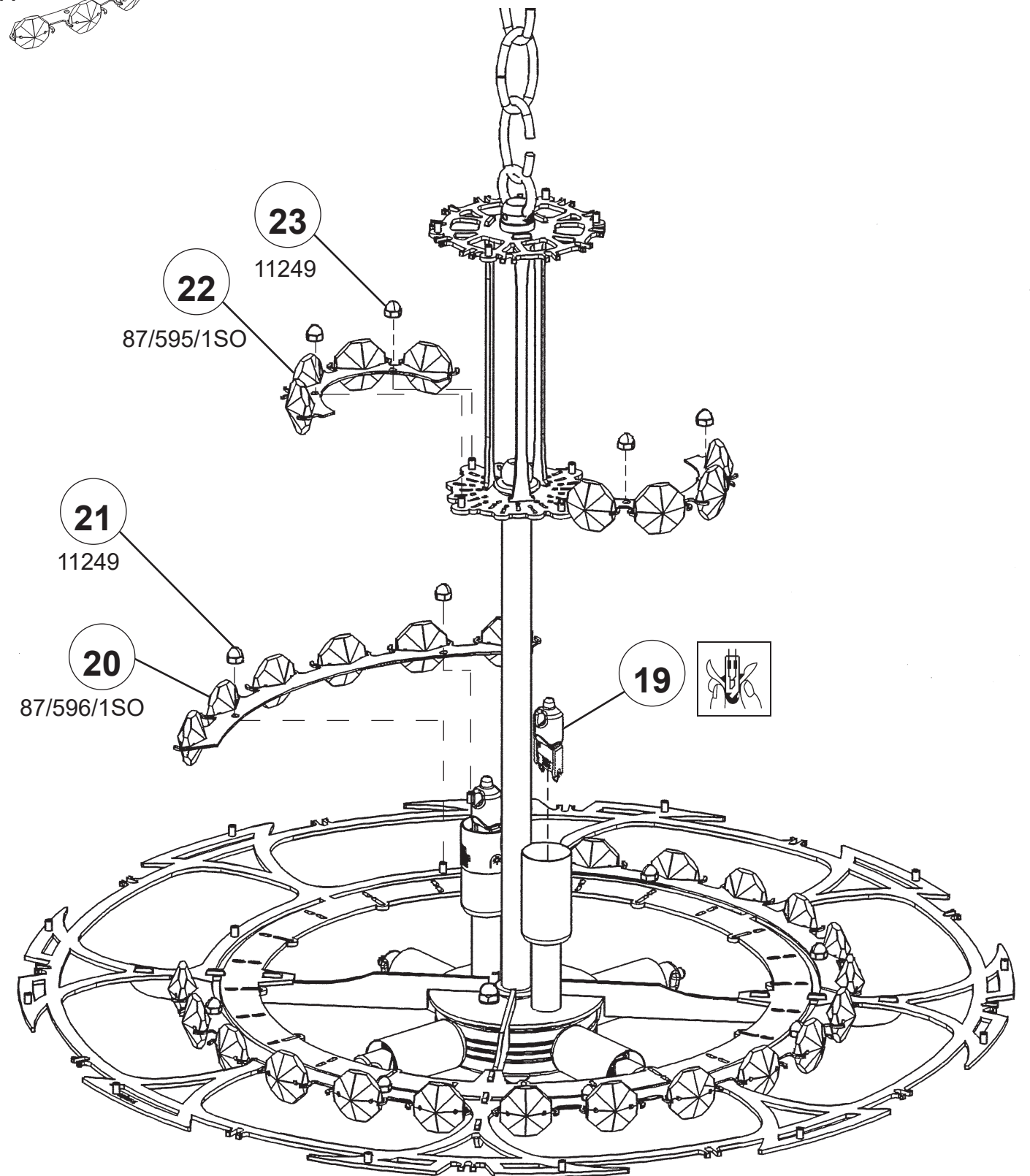


6 X  : G9 40W MAX 

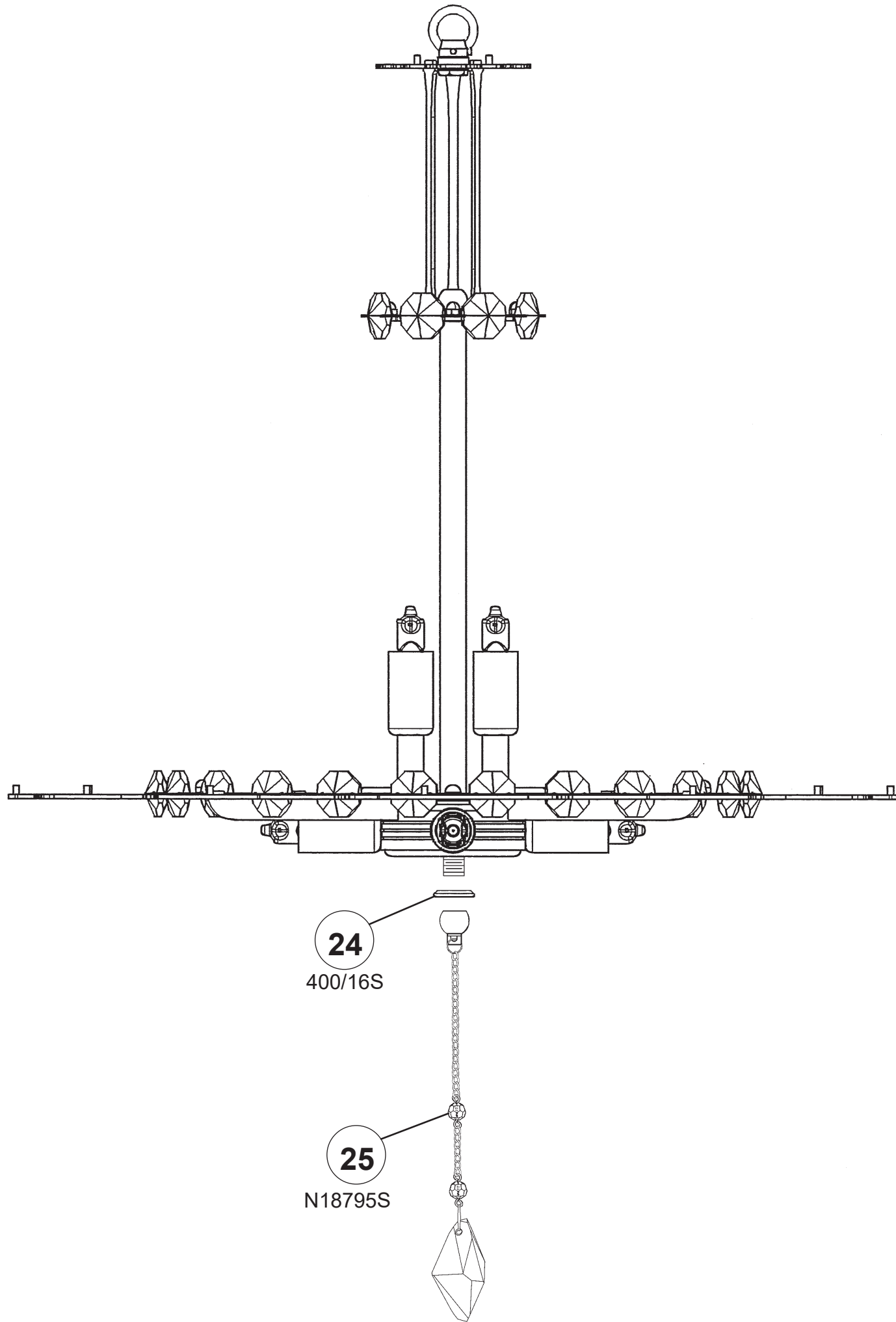
28 X  : 11249


2 X  : 87/595/1SO

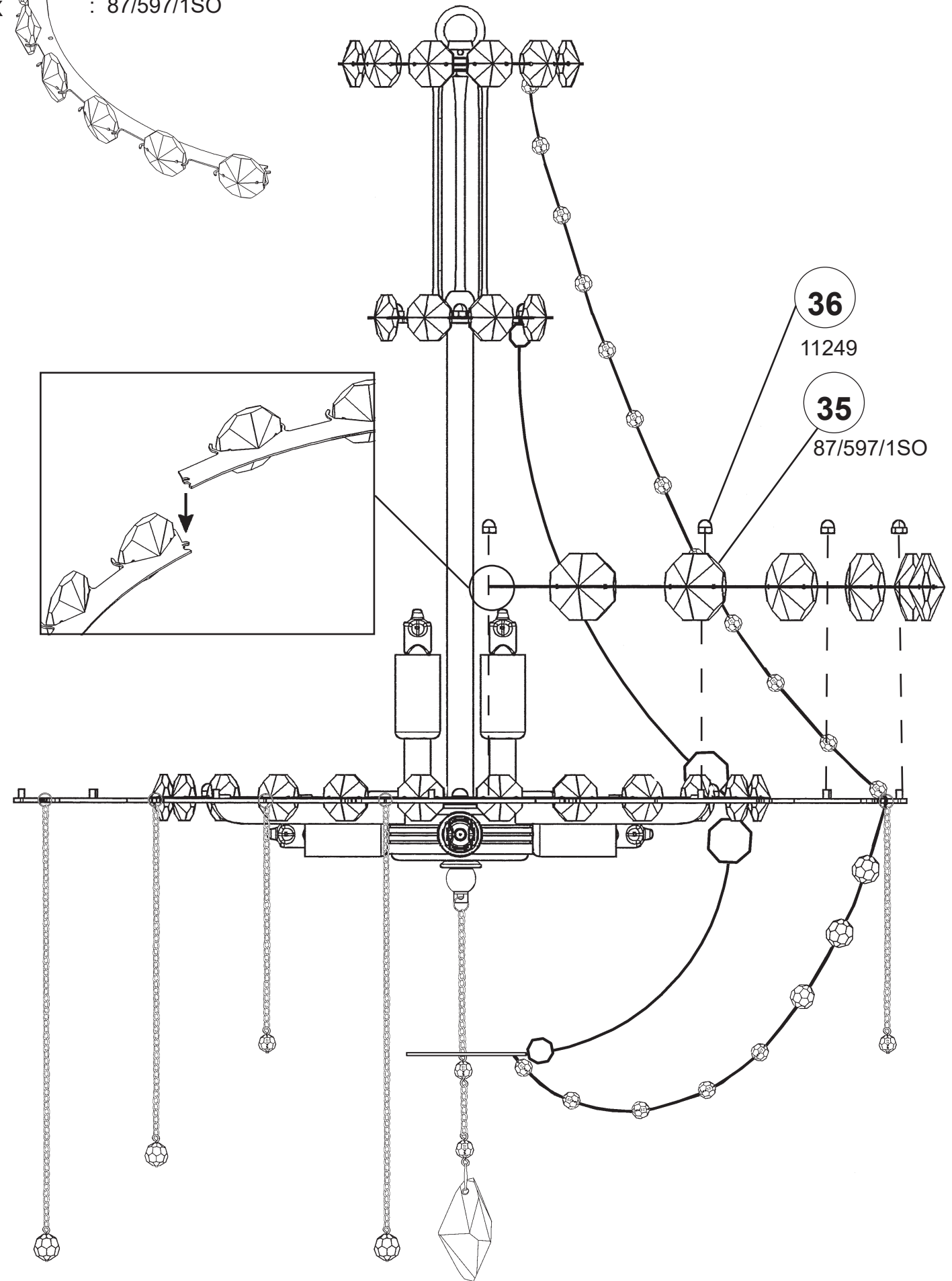
4 X  : 87/596/1SO

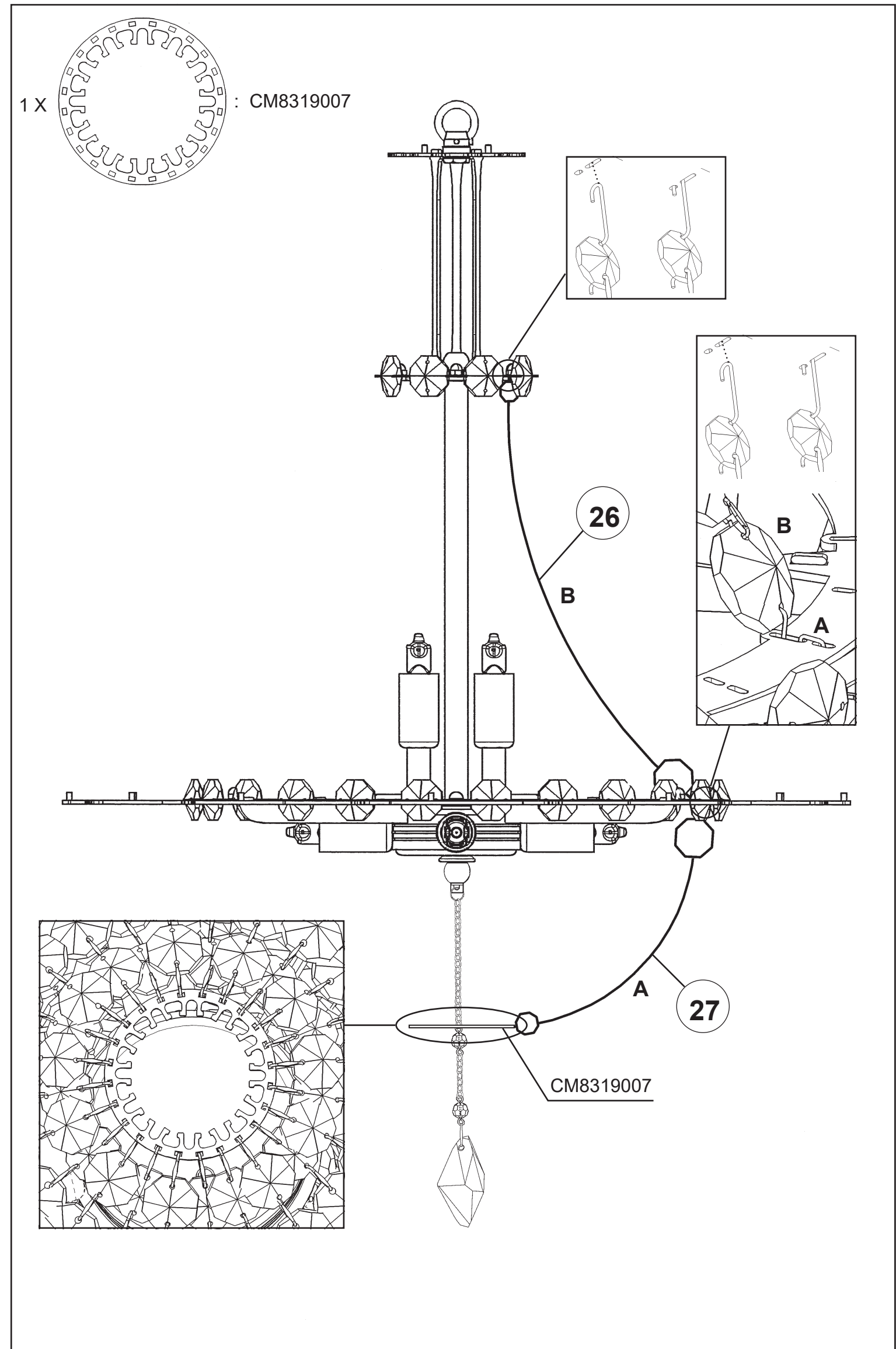
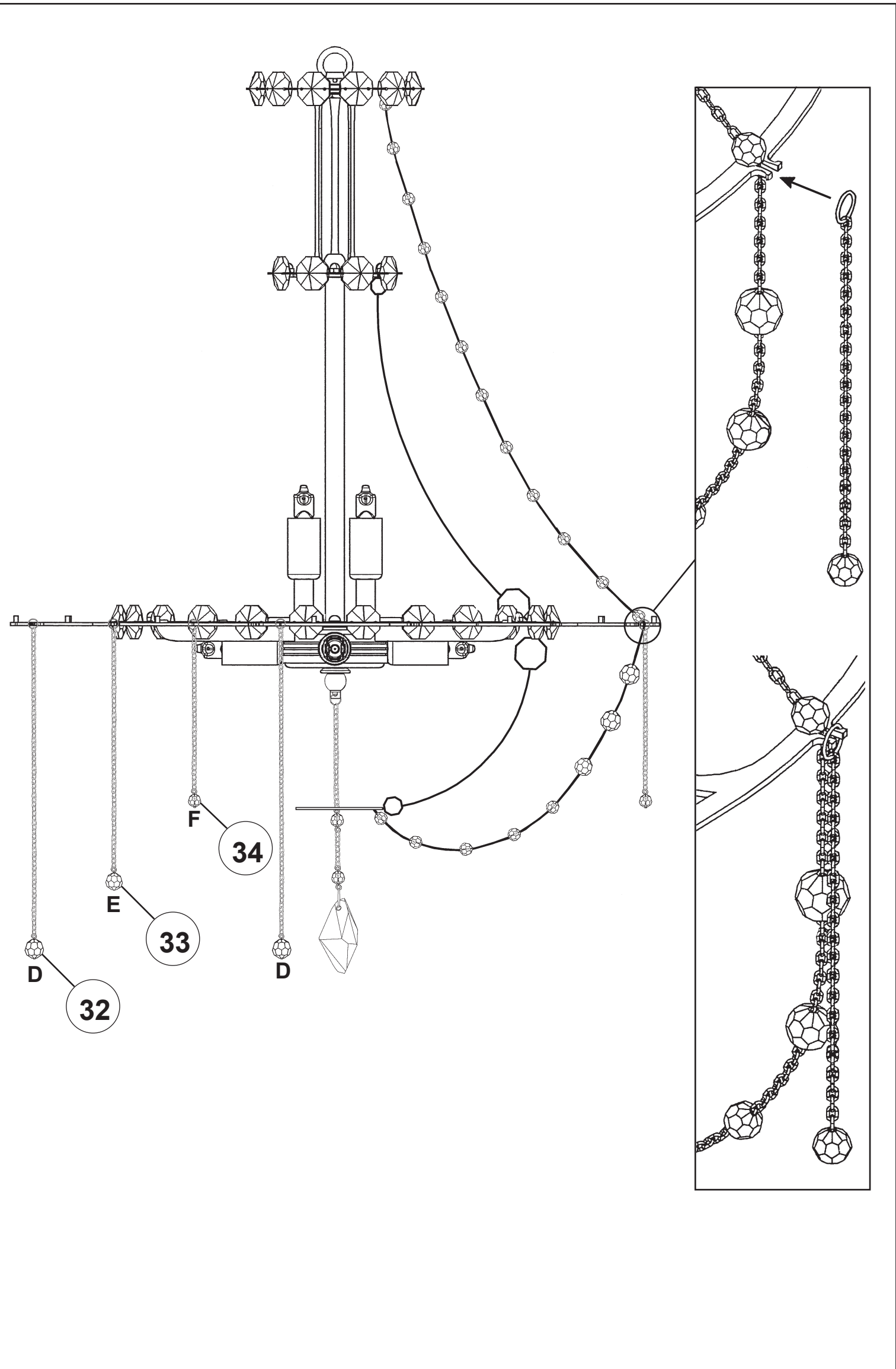


1 X  : 400/16S

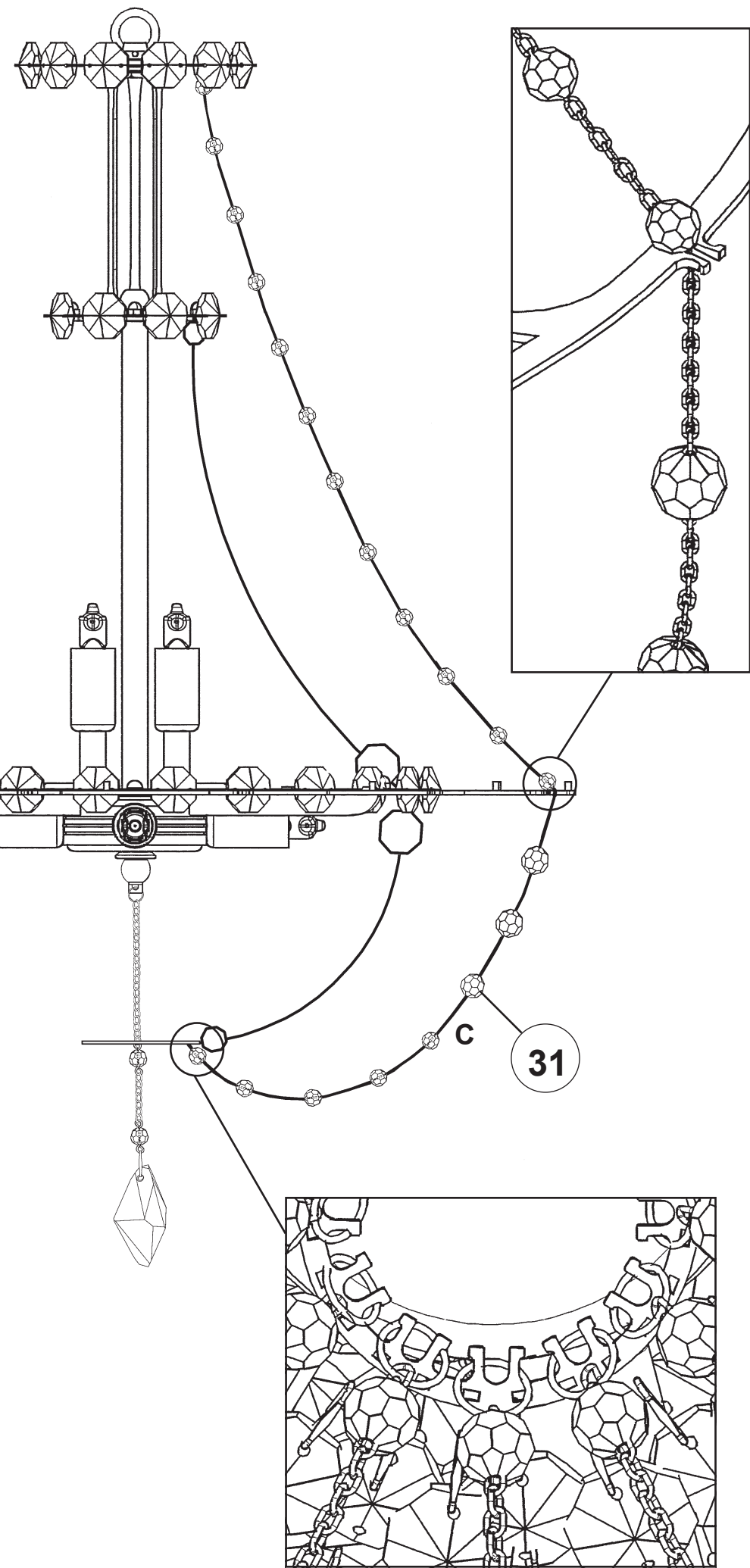
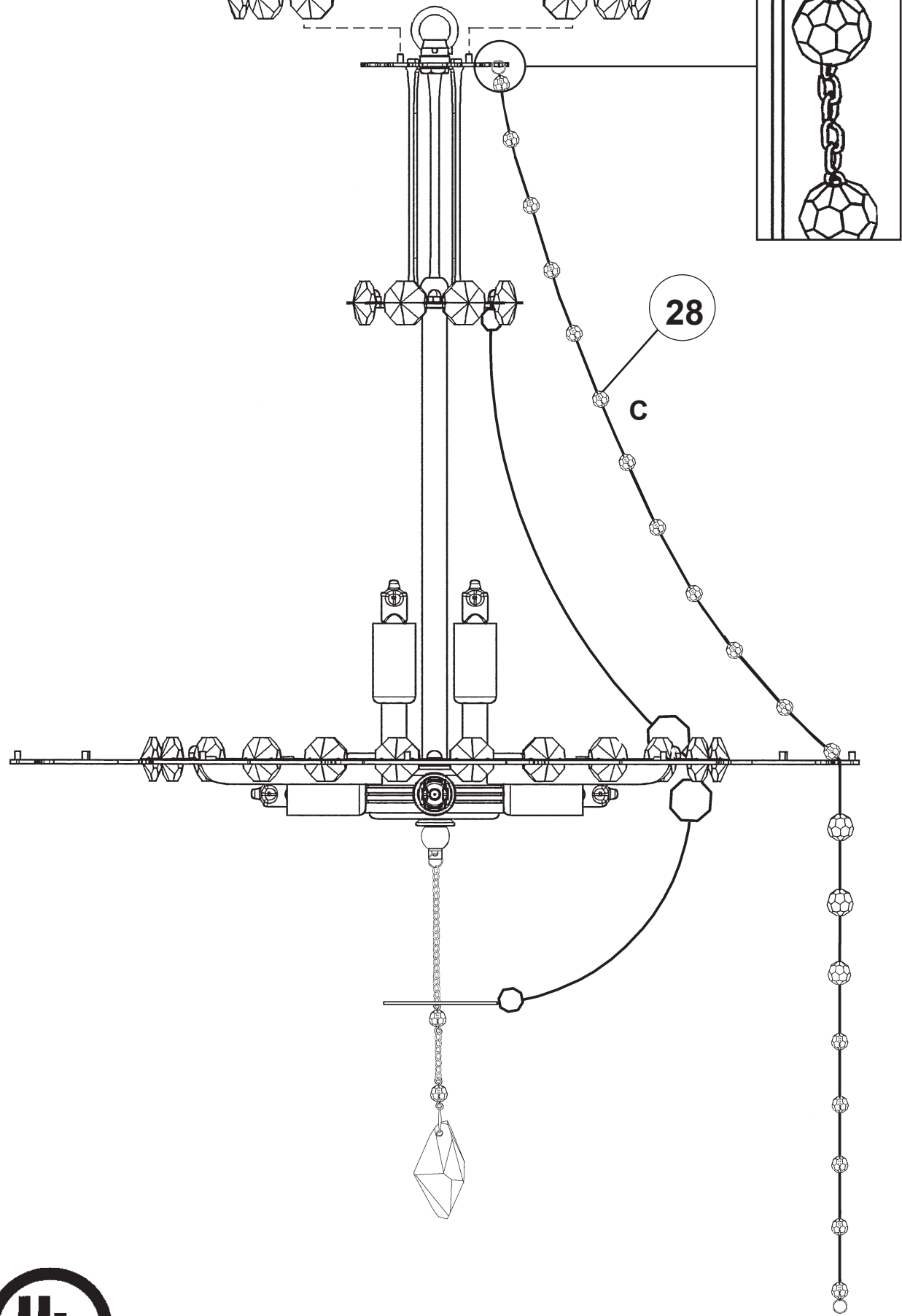
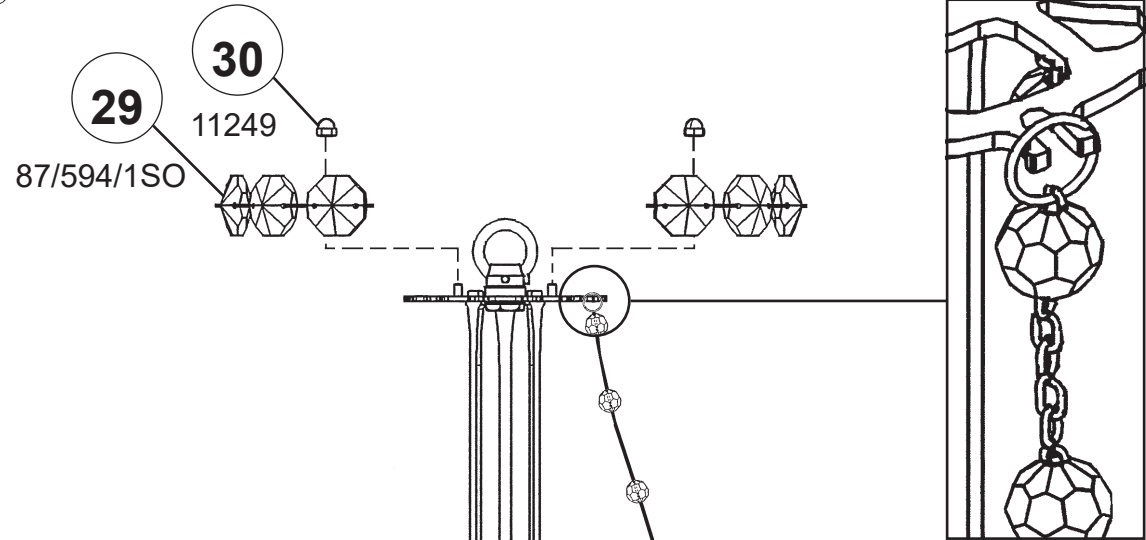


4 X  : 87/597/1SO

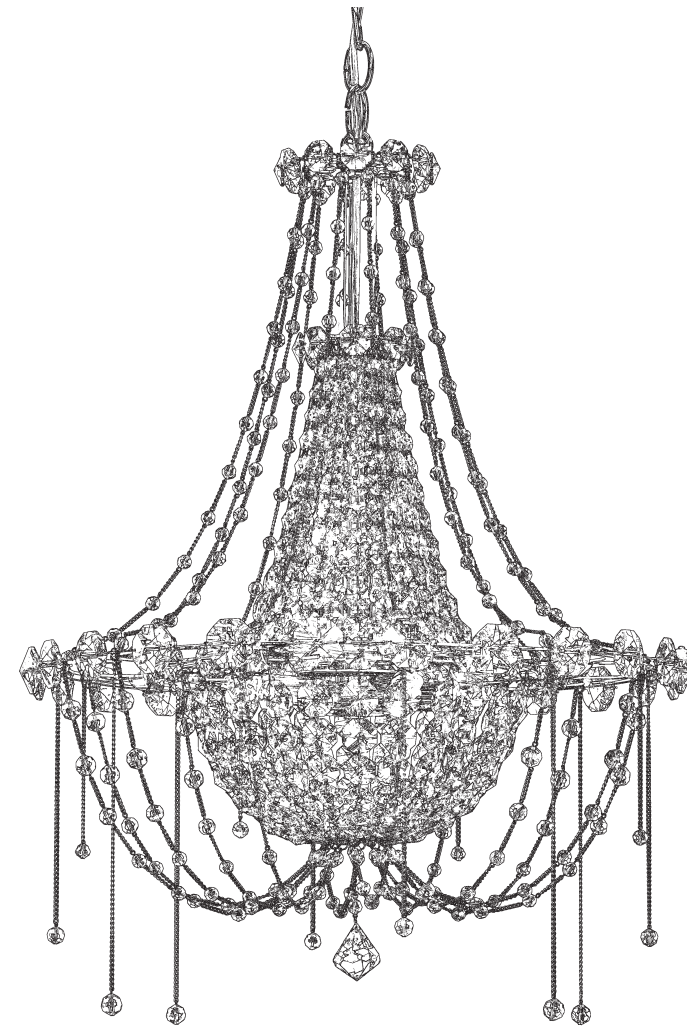




2 X : 87/594/1SO



CHRYSALITA CM8319N-__ __R












6 Lights
Diameter: 18-1/2"
Height: 25-1/2"
Hanging Weight: 10lbs.

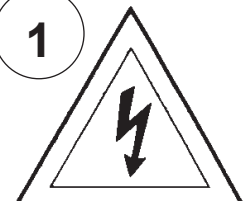
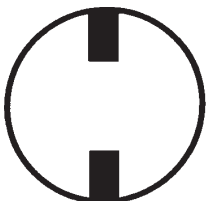
THIS DESIGN IS THE PROPRIETARY
TRADE DRESS/TRADEMARK OF
W SCHONBEK LLC.

 **SCHONBEK** | 1870

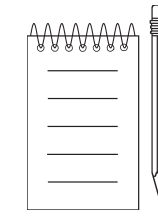
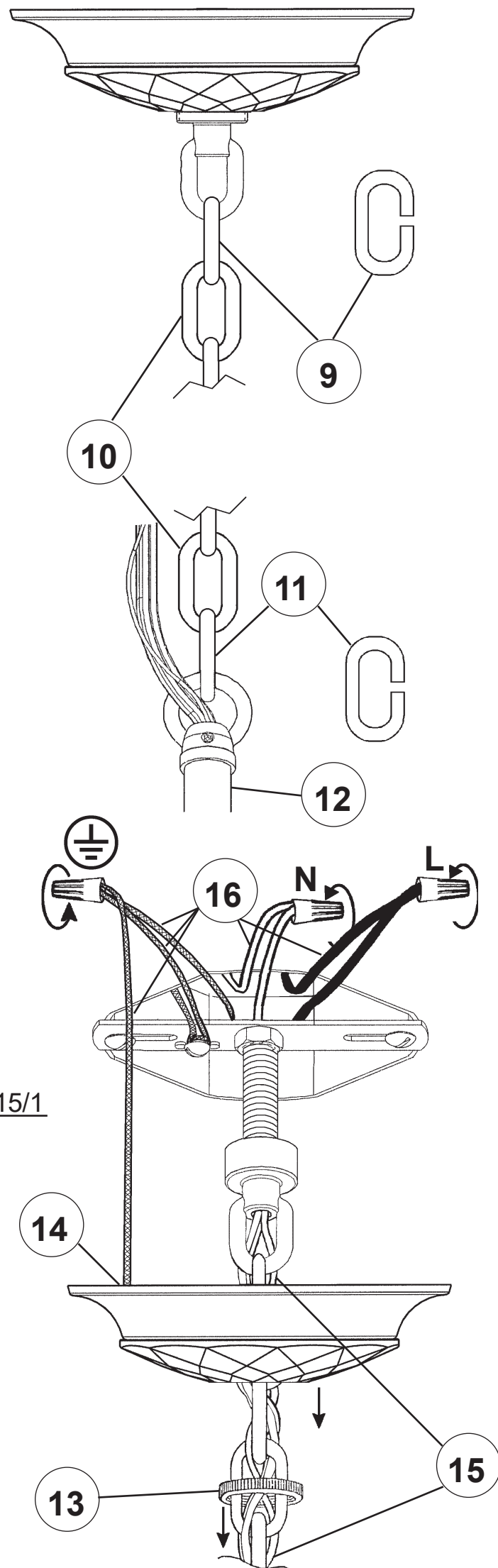
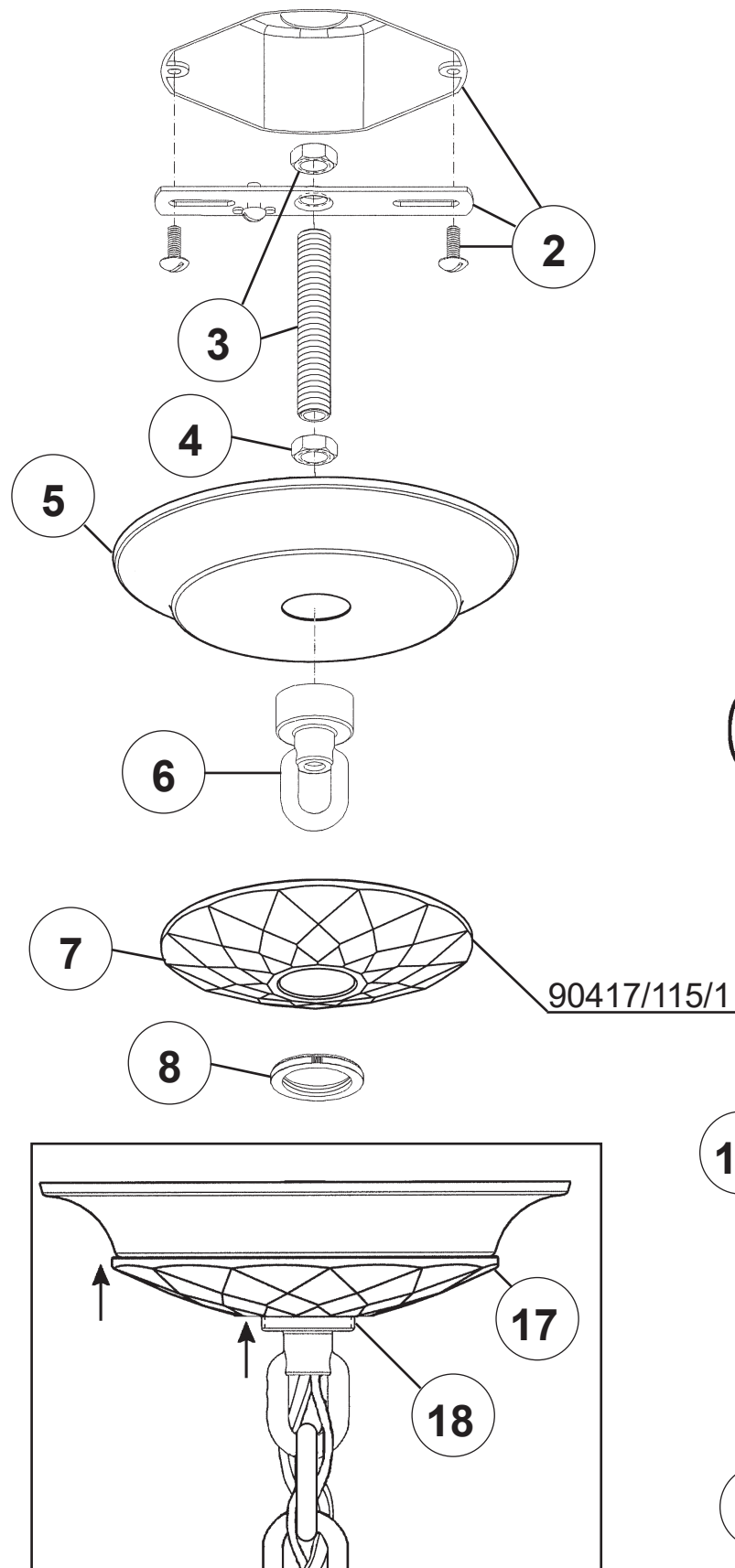
 **SCHONBEK** | 1870

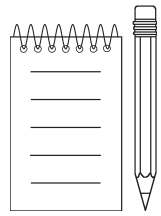
			S					
MAX 40 W	110-120 V							



WARNING:

1  **Electrical Danger**  **Turn Power Off**

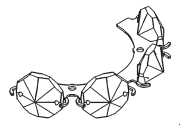
All electrical components must be installed by a licensed electrician in accordance with the National Electric Code and the appropriate local electrical codes.

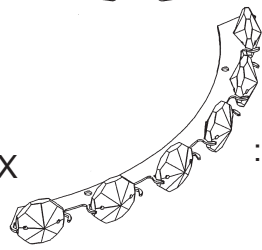


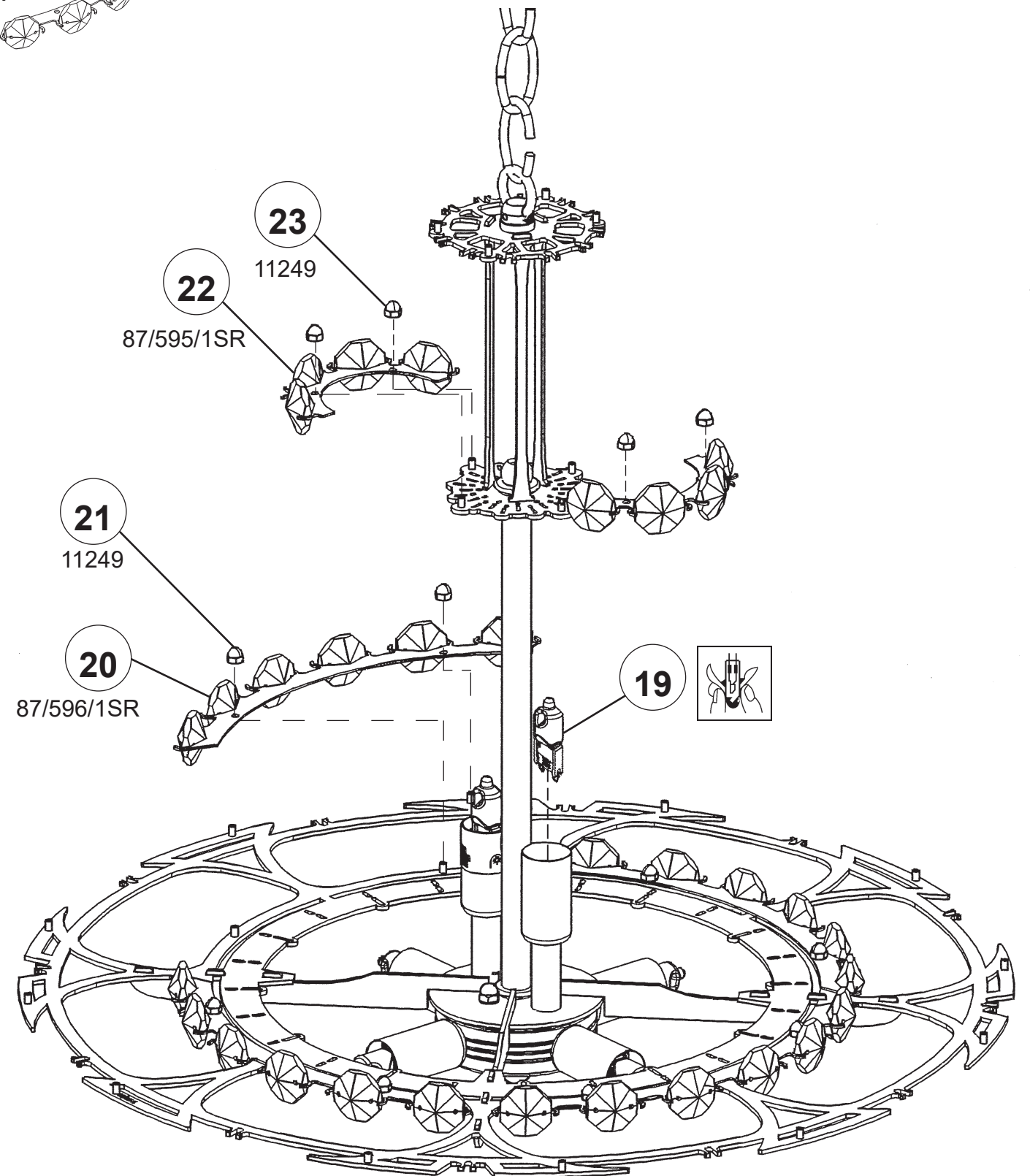


6 X  : G9 40W MAX 

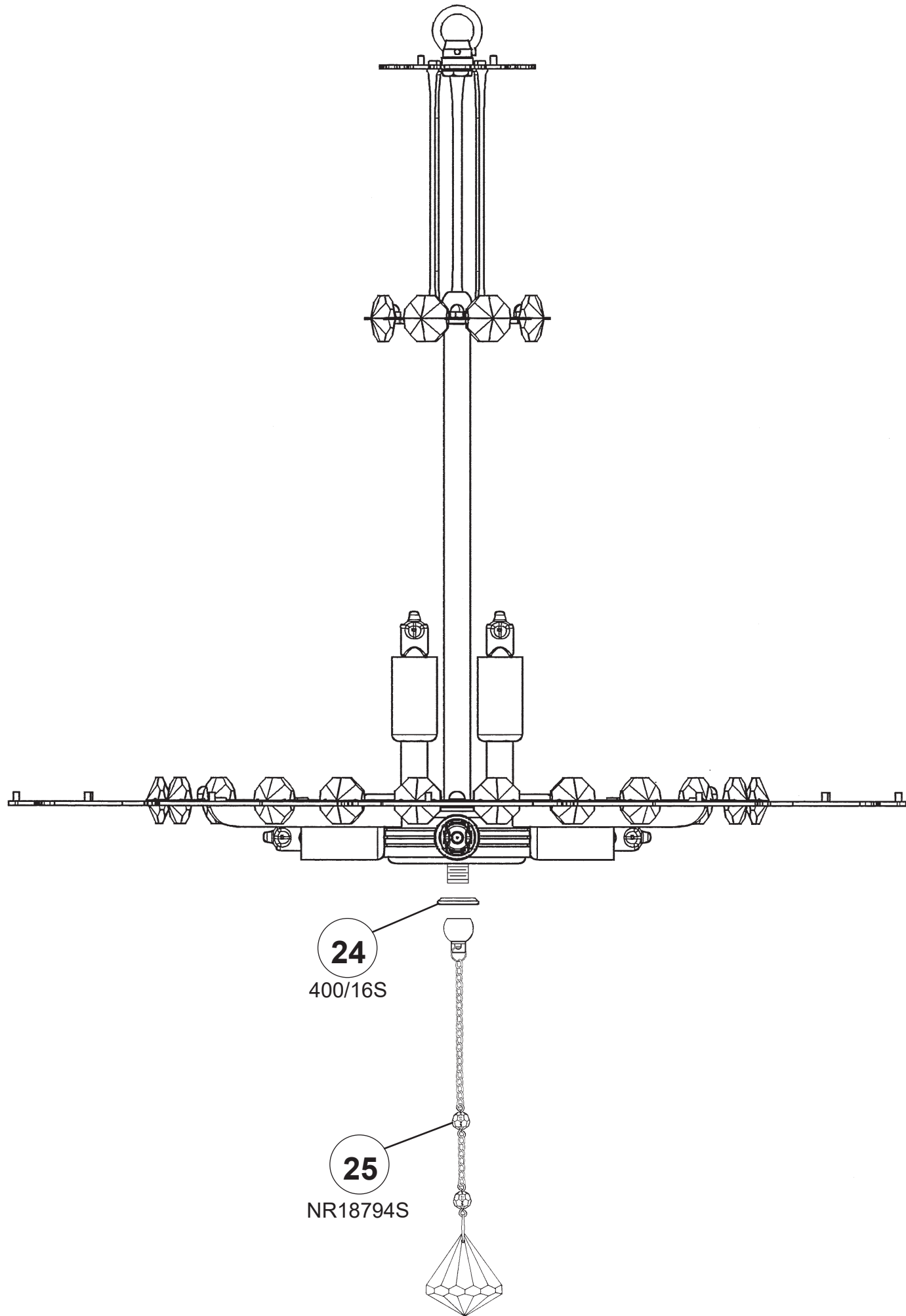
28 X  : 11249

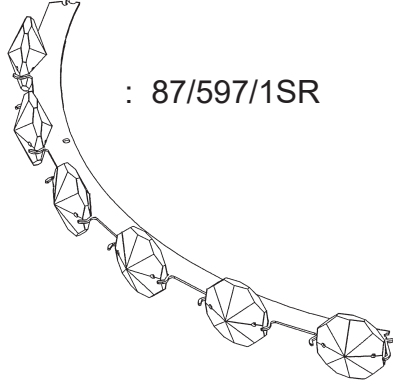
2 X  : 87/595/1SR

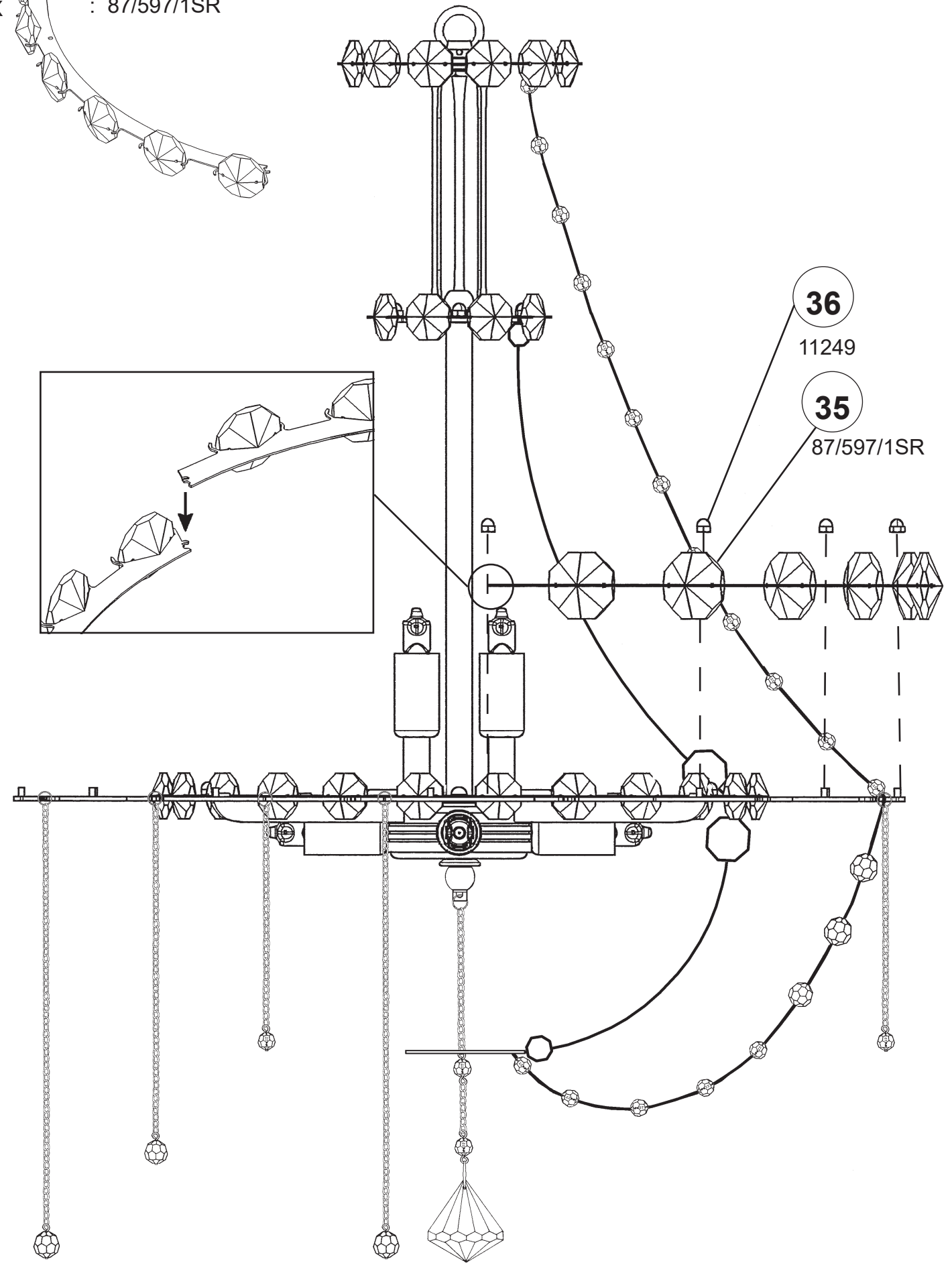
4 X  : 87/596/1SR

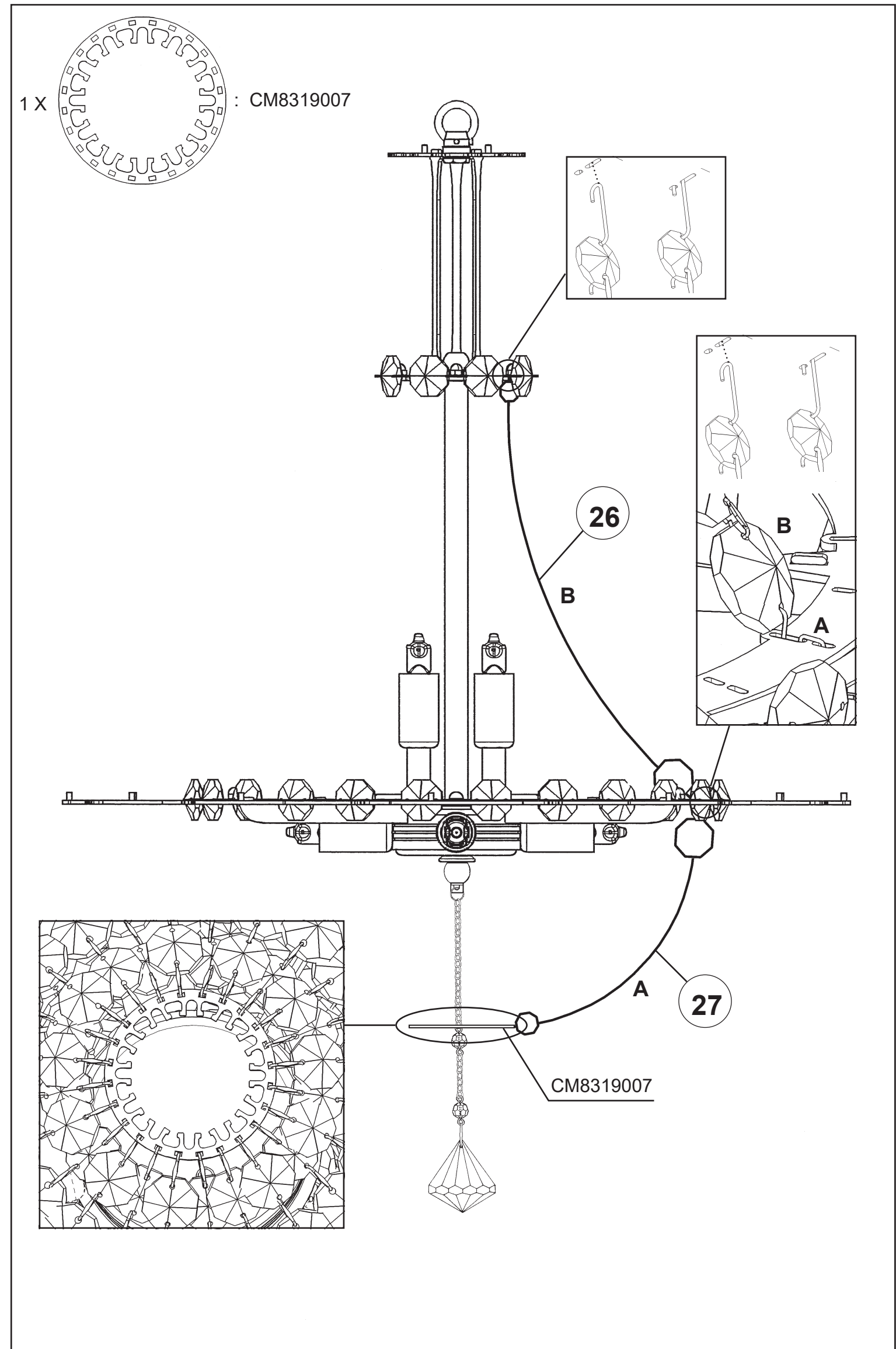
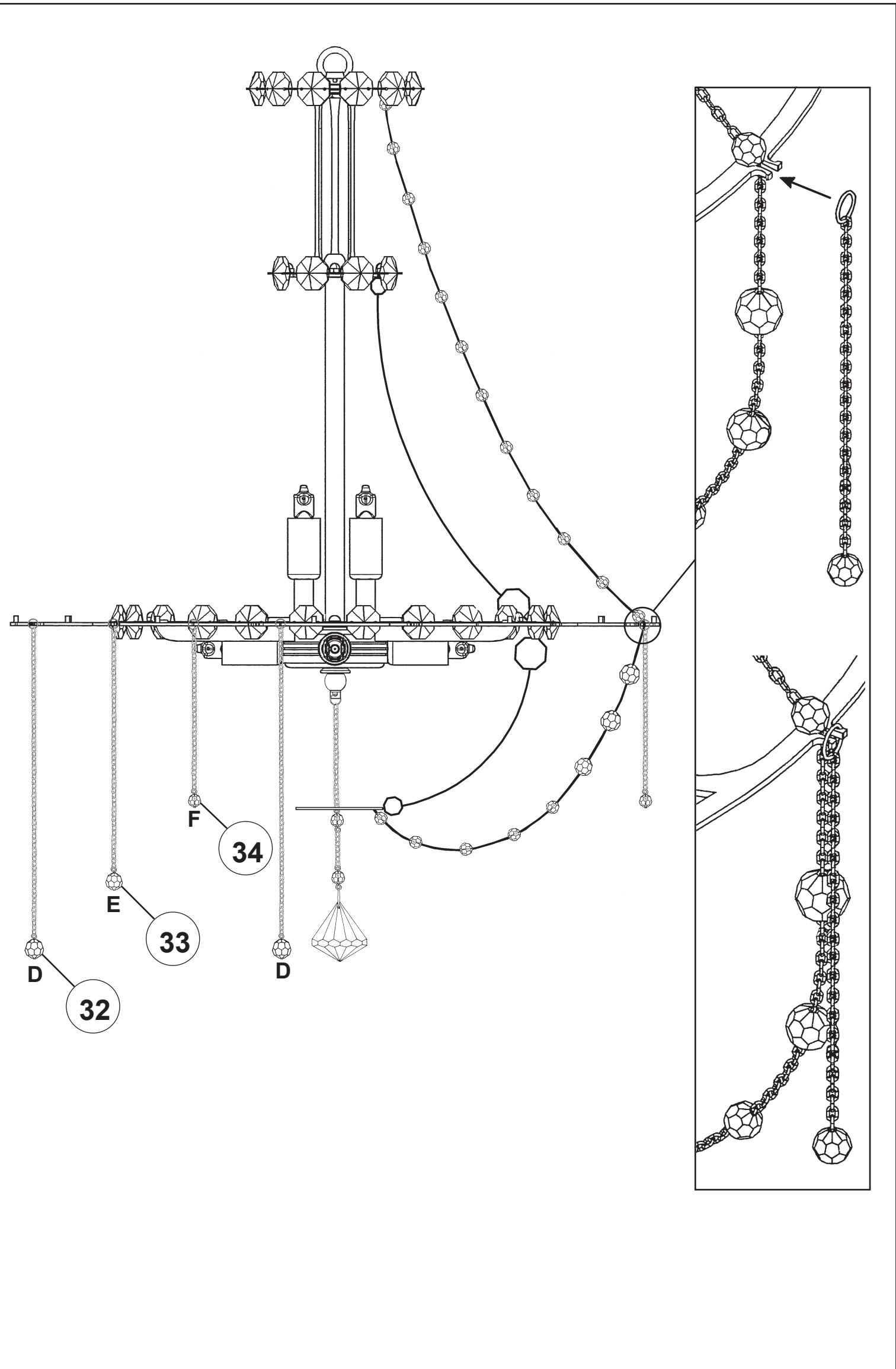


1 X  : 400/16S



4 X  : 87/597/1SR





2 X : 87/594/1SR

