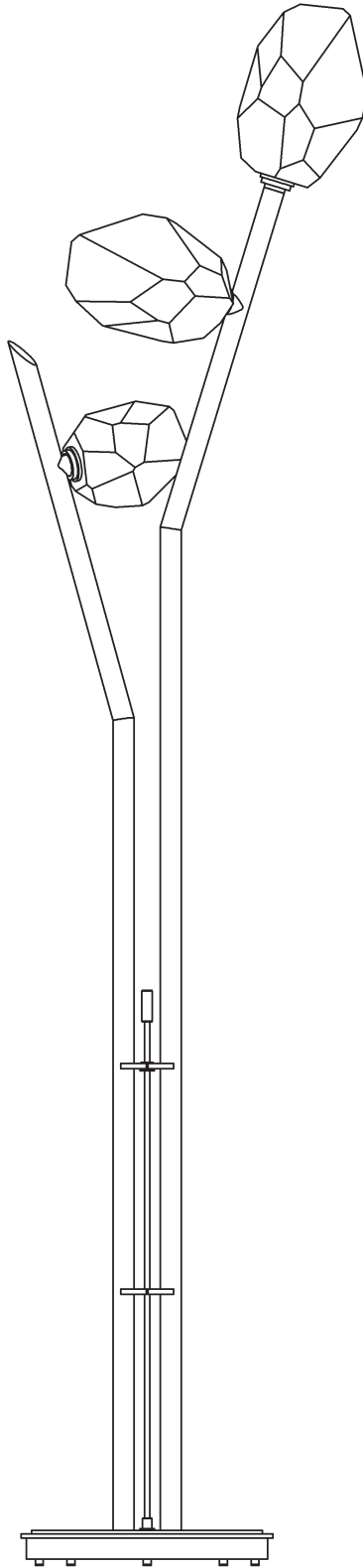


ASSEMBLY & INSTALLATION INSTRUCTIONS

C102

241101 Chrysalis Torchiere



HUBBARDTON FORGE.

MODERN AMERICAN BLACKSMITHS | FINE, HAND CRAFTED LIGHTING
CASTLETON, VERMONT USA | HUBBARDTONFORGE.COM

Component Parts

- A Fixture**
- B Small Glass**
- C Large Glass (2)**
- D Bulb (not included) (3)**
- E Socket (3)**
- F Collar (3)**
- G Dimmer Rod**
- H Dimmer Knob**



ASSEMBLY & INSTALLATION INSTRUCTIONS

C102

241101 Chrysalis Torchiere

CAUTION: FAILURE TO INSTALL THIS FIXTURE PROPERLY MAY RESULT IN SERIOUS PERSONAL INJURY OR DEATH AND PROPERTY DAMAGE. We recommend installation by a licensed electrician. This product must be installed in accordance with applicable installation code(s), by a person familiar with the construction and operation of the product and the hazards involved.*

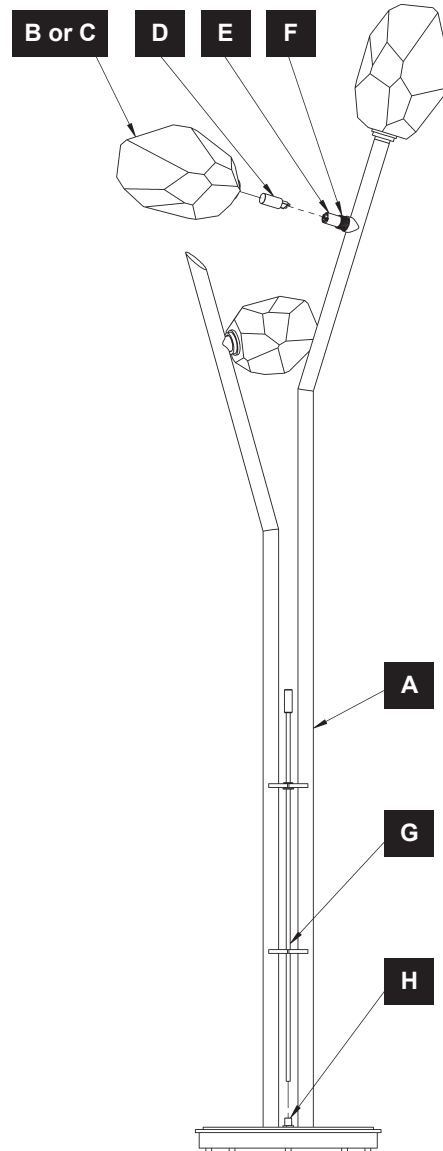
Caution: Do not exceed maximum wattage noted on fixture. Use only recommended bulbs with fixture.

Assemble Fixture (Figure 1)

1. Carefully unpack fixture (A) from carton.
2. Apply a drop of the supplied thread locking compound to the internal threads at the top of the dimmer knob (H). Run dimmer rod (G) down thru grommets and thread into dimmer knob (H).

NOTE: APPLICATION OF THE THREAD LOCKING COMPOUND IS NECESSARY TO PREVENT THE DIMMER ROD FROM LOOSENING. BE CERTAIN TO APPLY THE COMPOUND.

3. Install bulb (D), not included into socket (E).
4. Carefully unpack glass (B & C) and thread onto collar (F).
5. Repeat for remaining glass (B or C) and bulbs (D).
6. Refer to picture on first page of instruction for small (B) and large (C) glass placement.
7. Plug in power cord.



(Figure 1)

If you need further assistance, or find that you are missing any parts, please contact the dealer from which you purchased this product.
We hope you enjoy your fixture!

*** Hubbardton Forge will not be liable for injury or damage caused by improper installation, lamping or use of this fixture.**