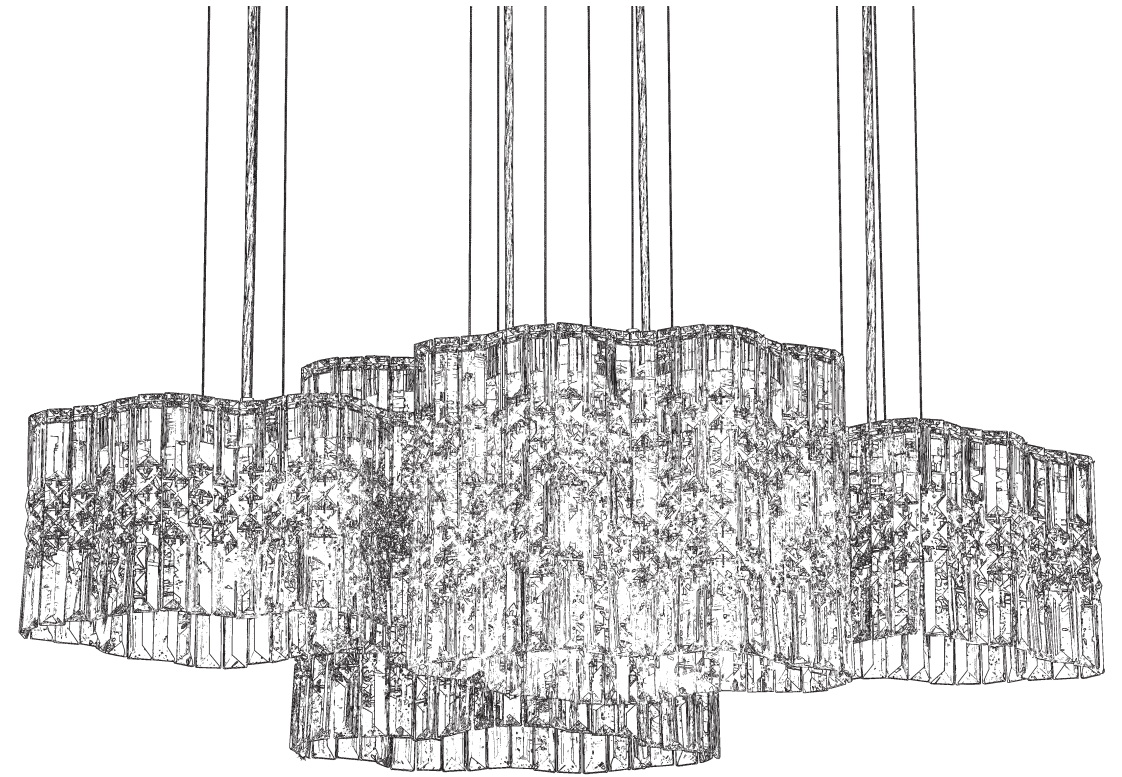
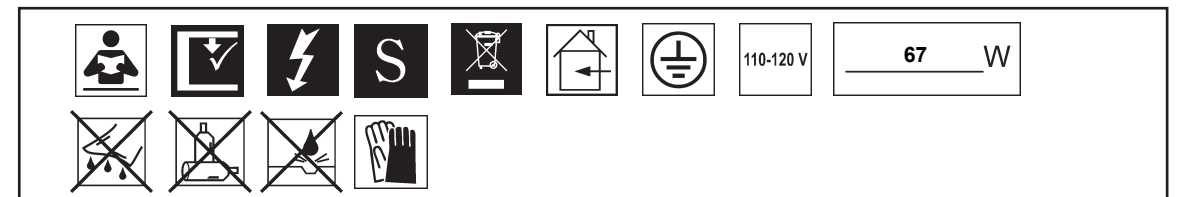


 **SCHONBEK** | 1870

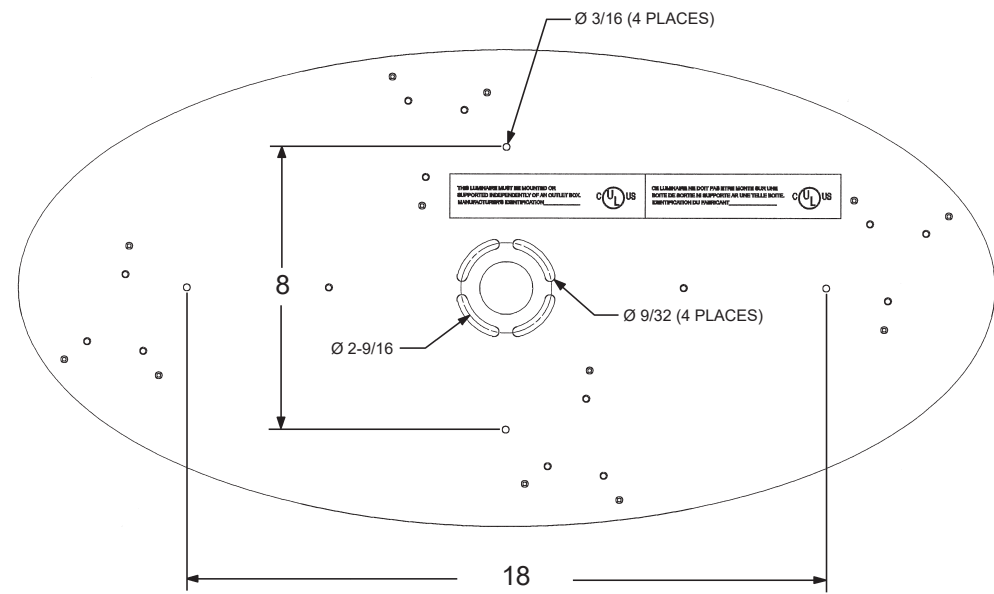
**SELENE**  
**SPU160N- \_ \_ \_ O**



 **SCHONBEK** | 1870

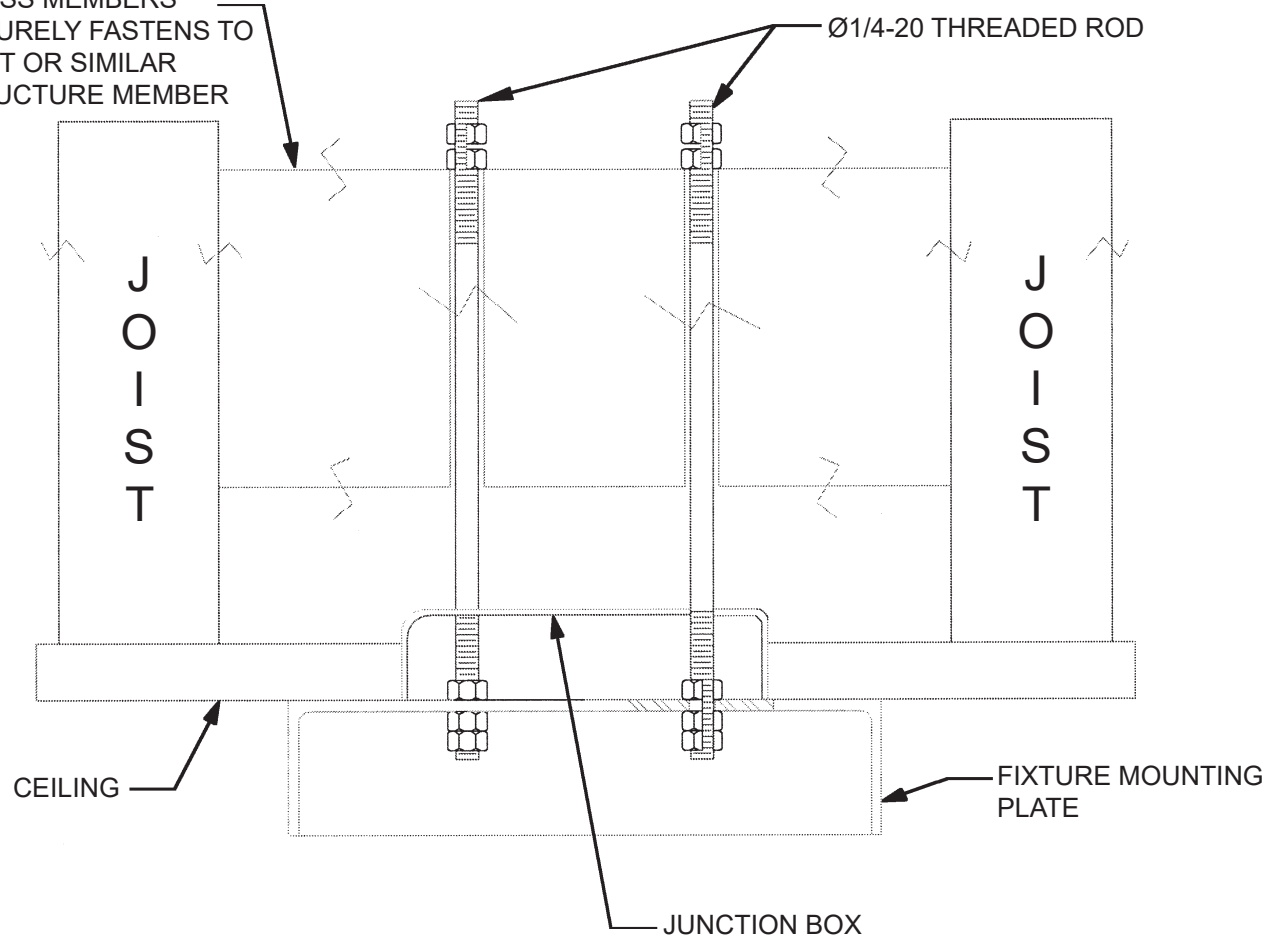


**NOTE:** INSTALLER IS SOLELY RESPONSIBLE FOR PROPER MOUNTING!

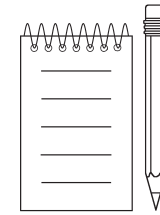


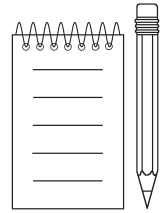
PLAN VIEW OF MOUNTING BRACKET

CROSS MEMBERS  
SECURELY FASTENS TO  
JOIST OR SIMILAR  
STRUCTURE MEMBER



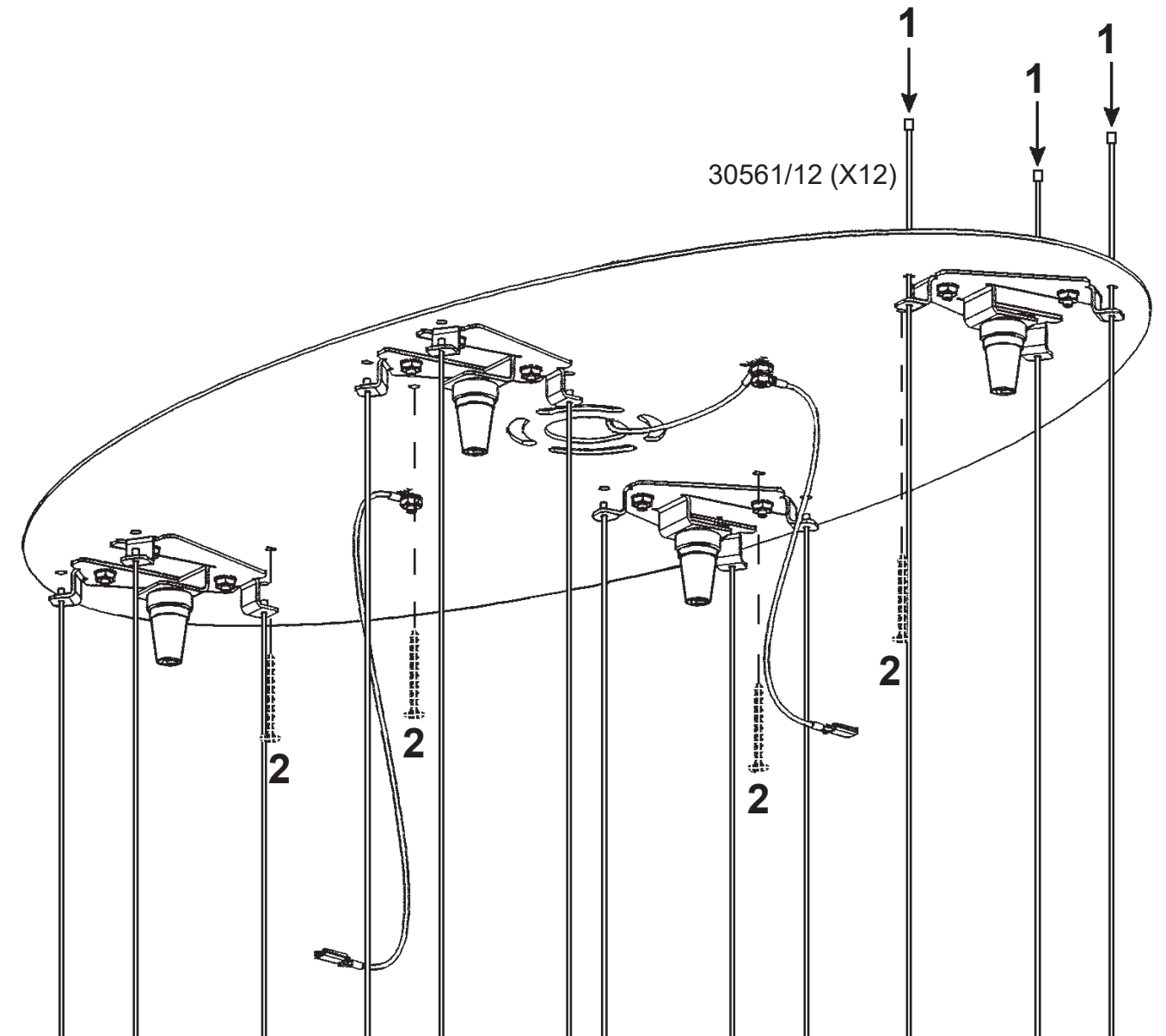
**WARNING:**  
MOUNTING CONFIGURATION AND HARDWARE MUST HOLD 4X THE WEIGHT  
OF THE FIXTURE. MOUNTING DESIGN AND FIXTURE INSTALLATION  
SHOULD BE CONDUCTED BY A QUALIFIED LICENSED PROFESSIONAL.

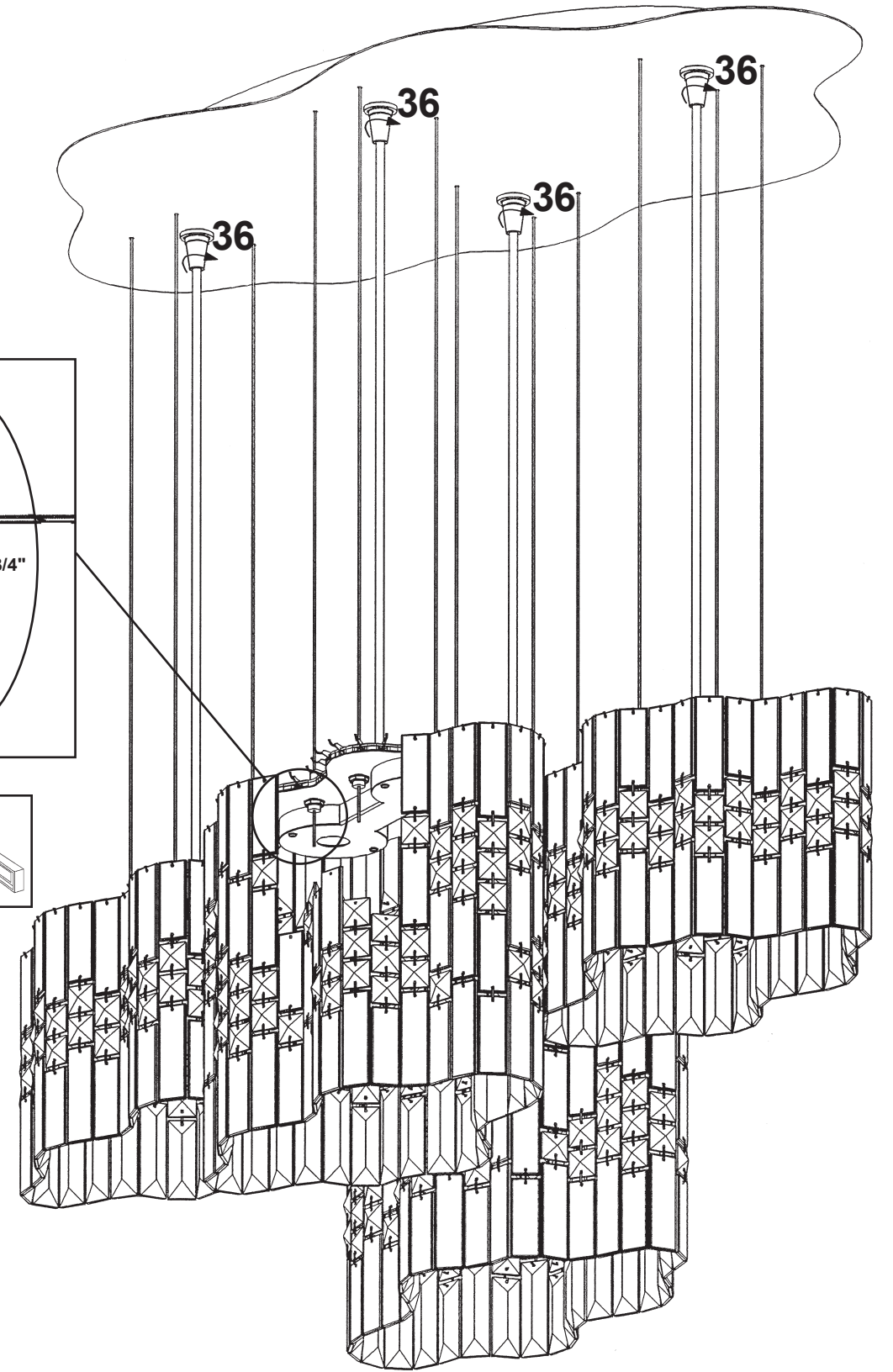
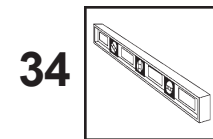
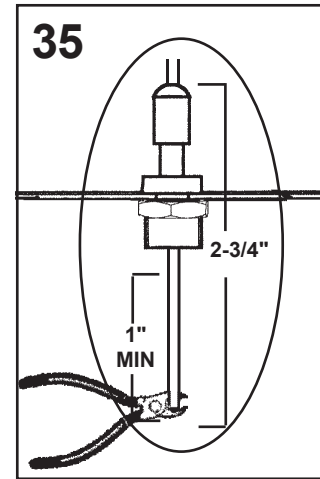
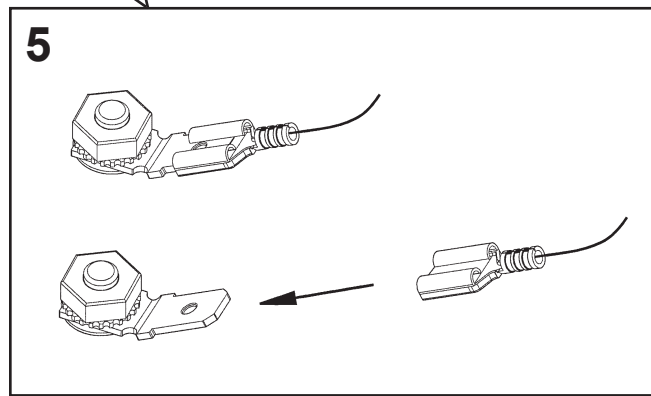
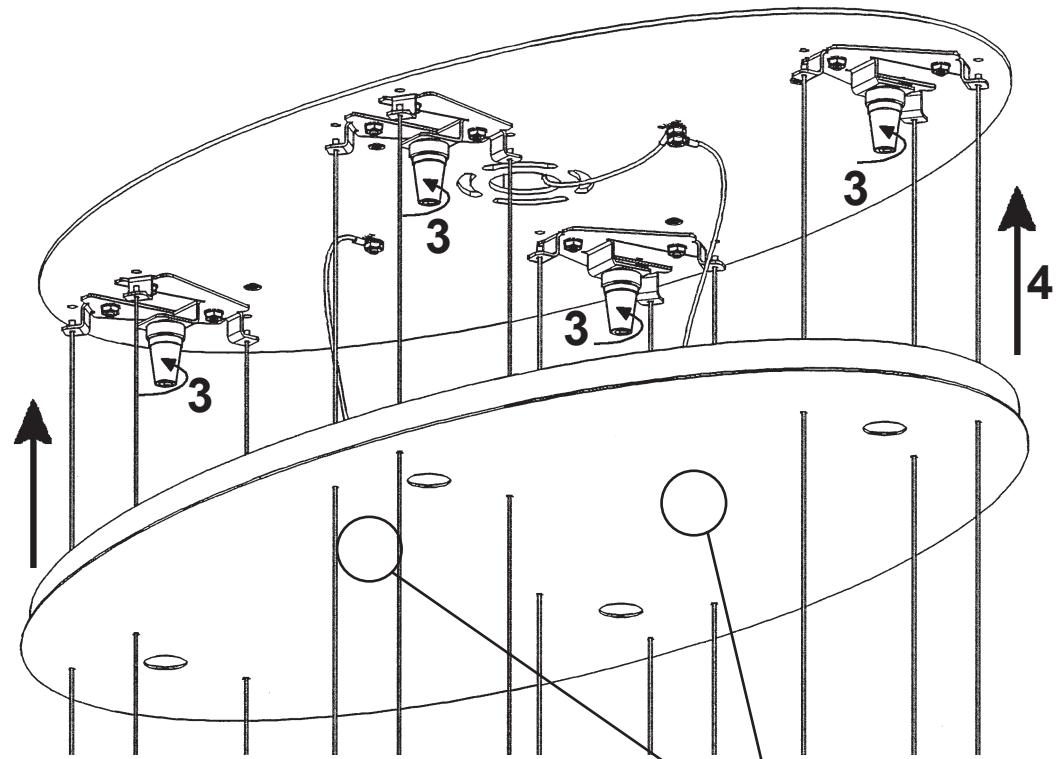


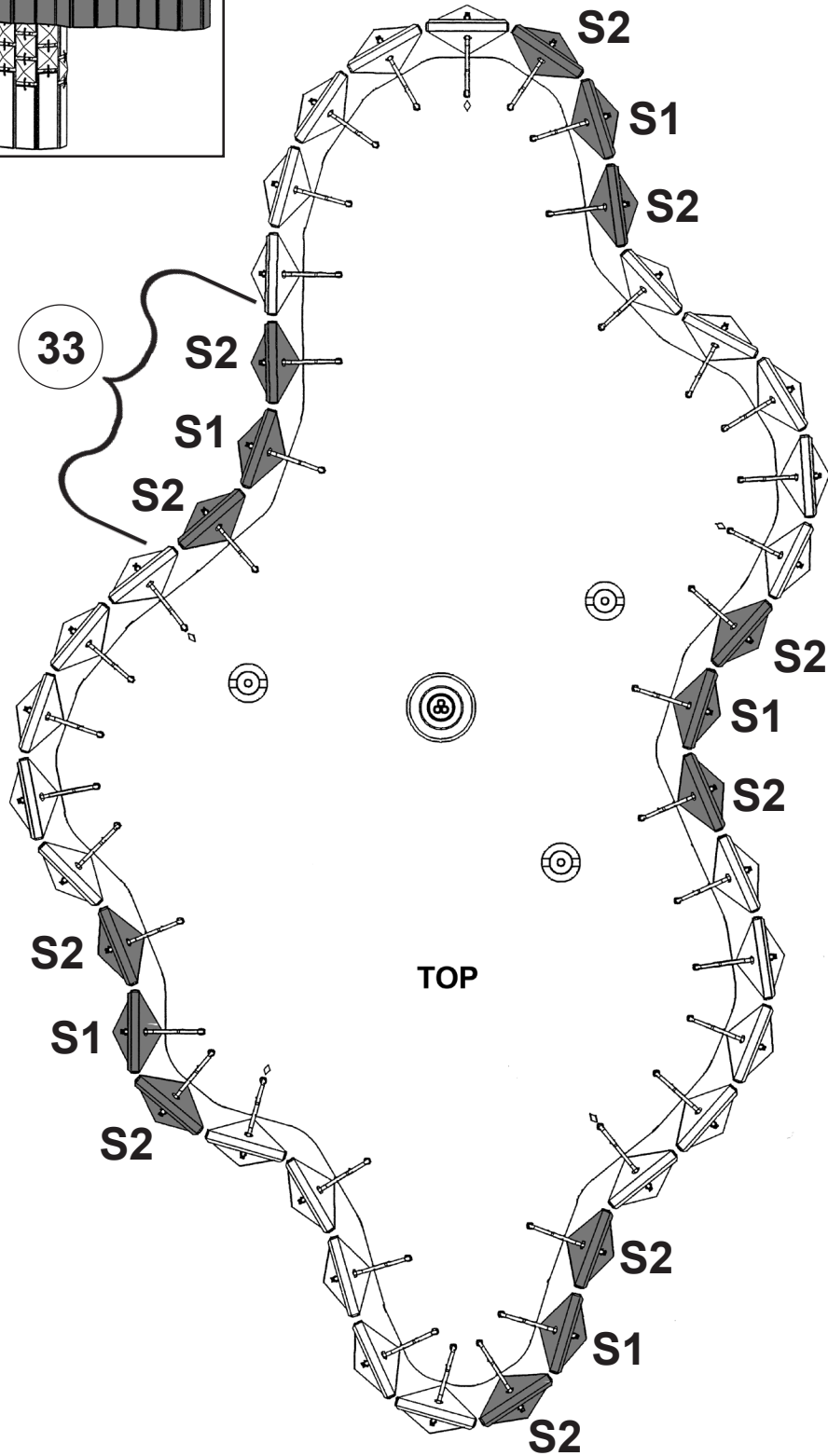
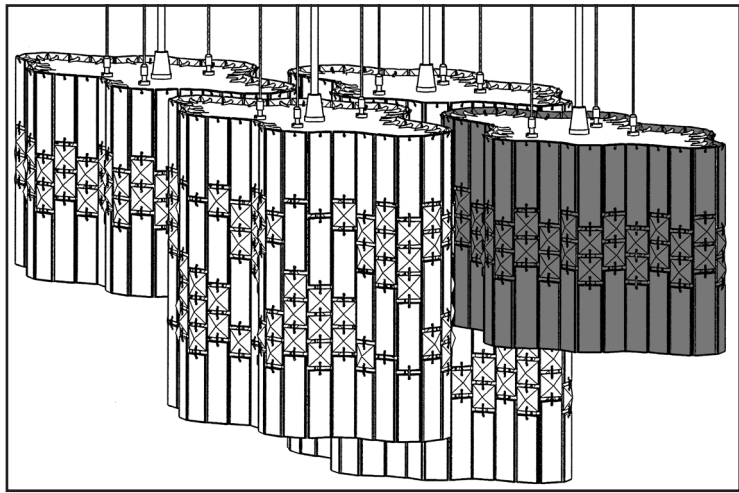


12 X  : 30561/12

**WARNING:** THIS LUMINAIRE MUST BE MOUNTED OR SUPPORTED INDEPENDENTLY OF AN OUTLET BOX.  
**MISE EN GARDE:** CE LUMINAIRE NE DOIT PAS ÊTRE MONTÉ SUR UNE BOÎTE DE SORTIE NI SUPPORTÉ PAR UNE TELLE BOÎTE.







**NOTE:**  
CLAMPS ARE  
NOT SUPPLIED.  
USE AS NEEDED.

