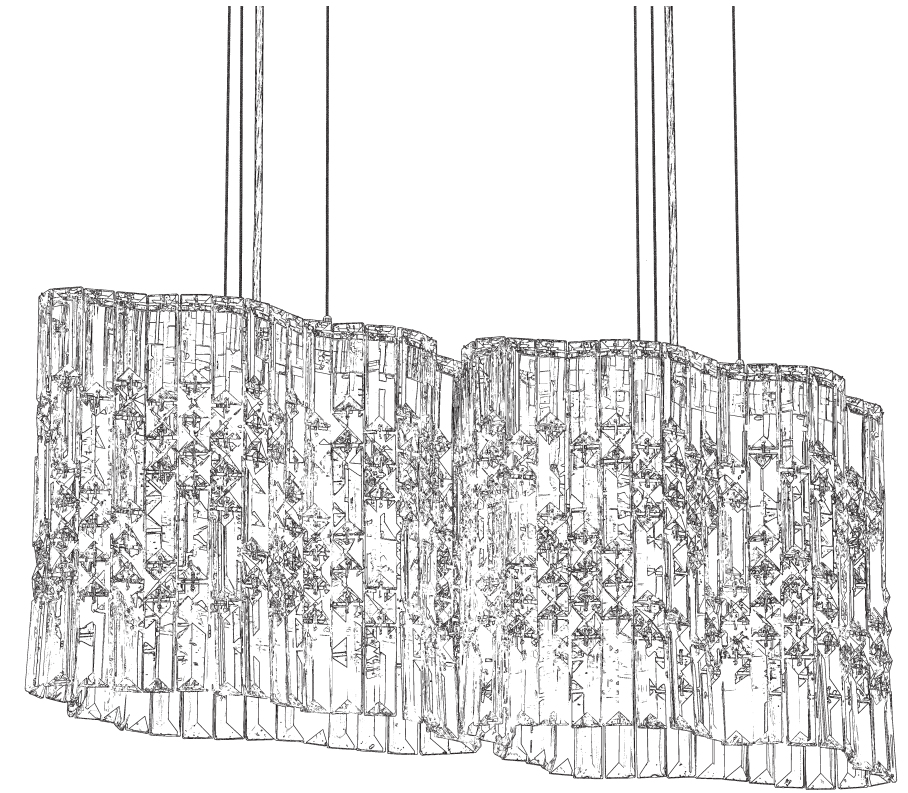
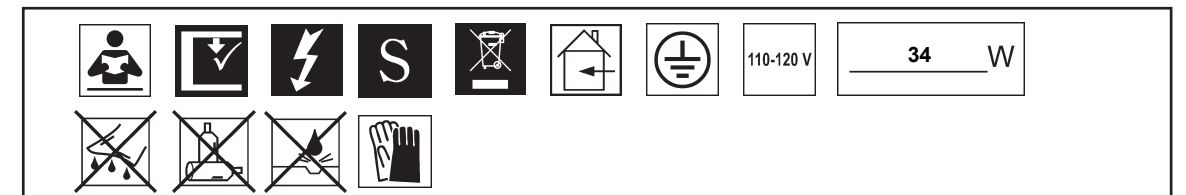


 **SCHONBEK** | 1870

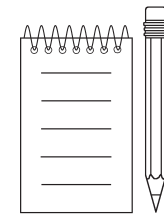
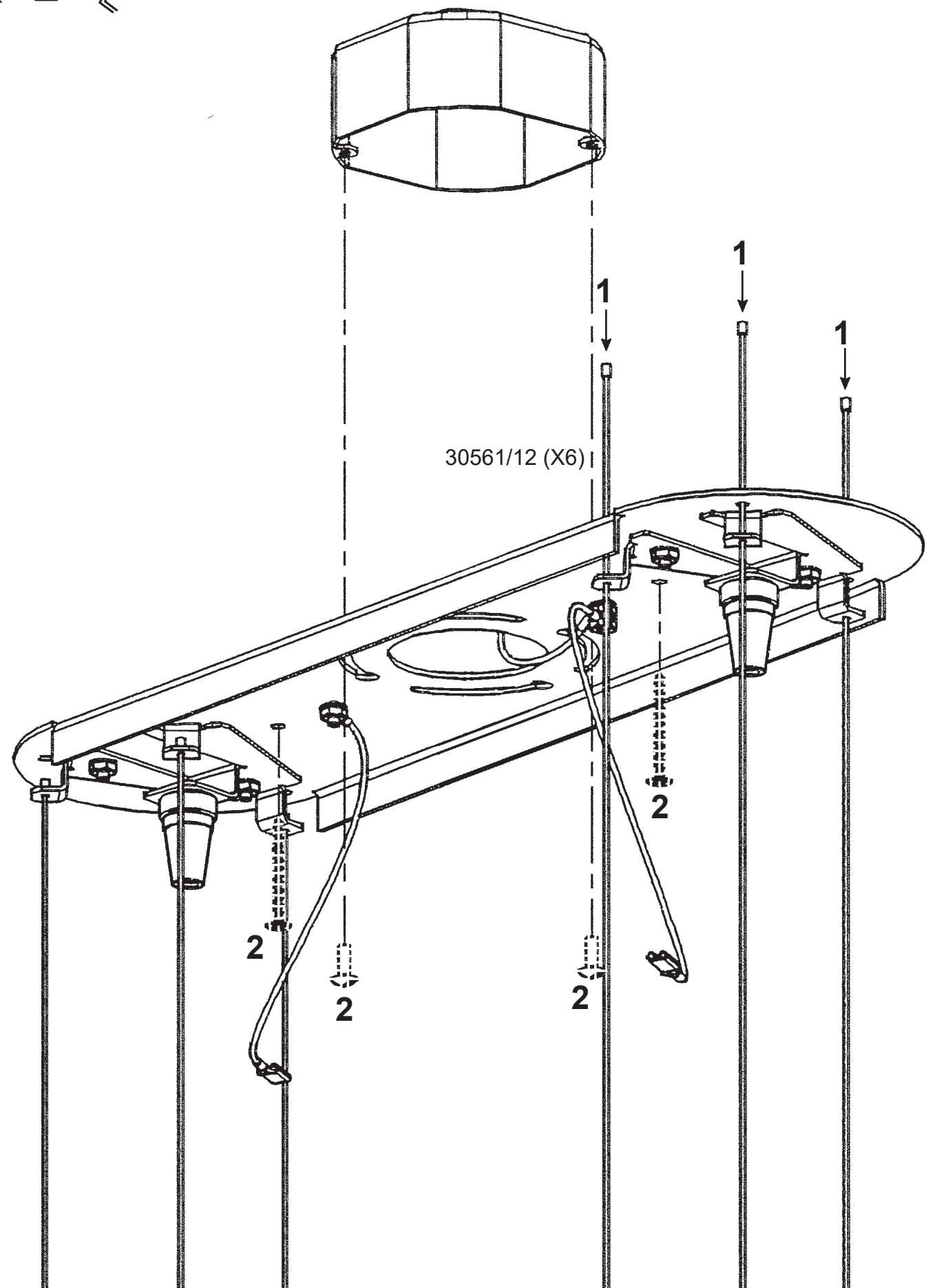
**SELENE**  
**SPU130N-\_\_\_ \_\_ \_O**

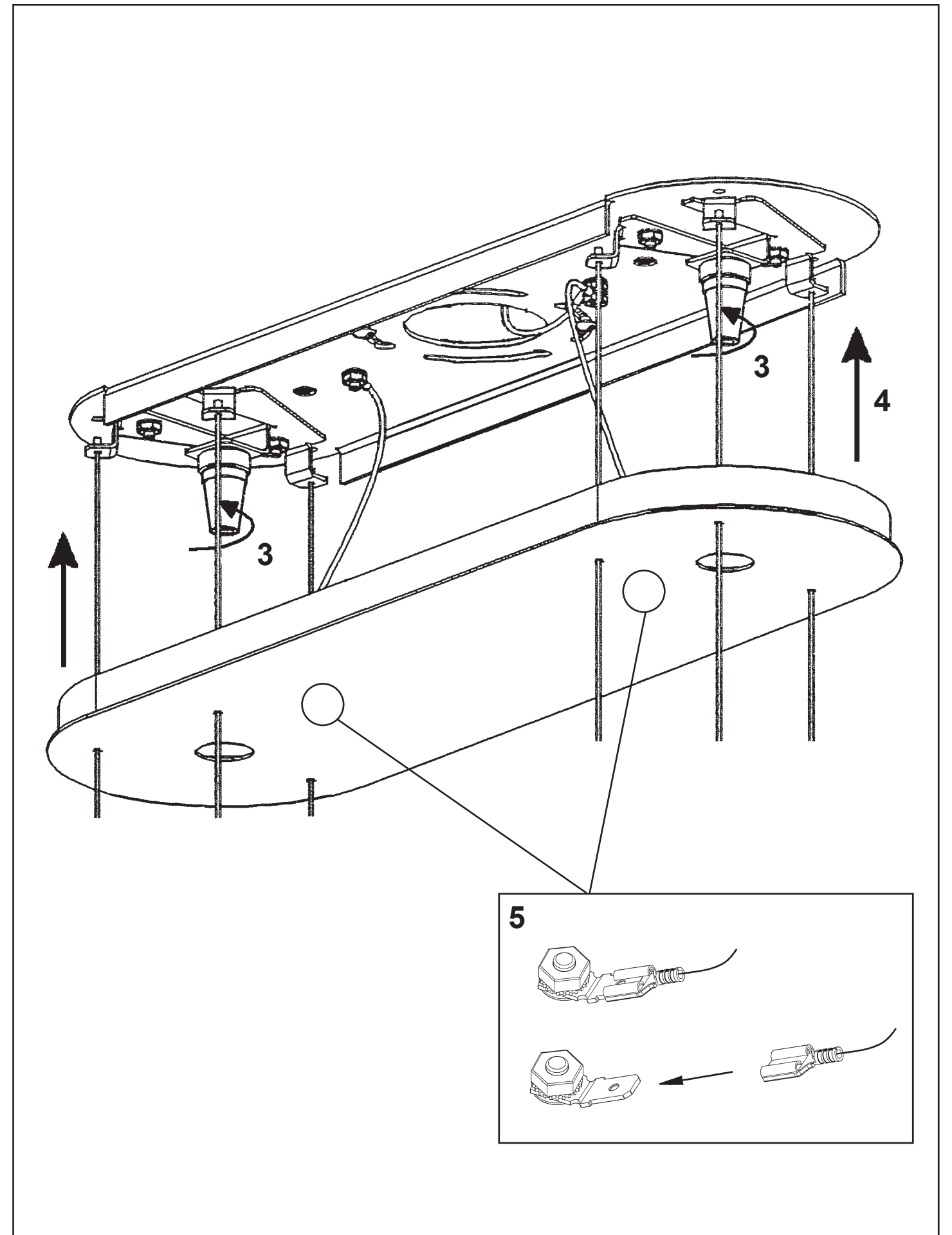
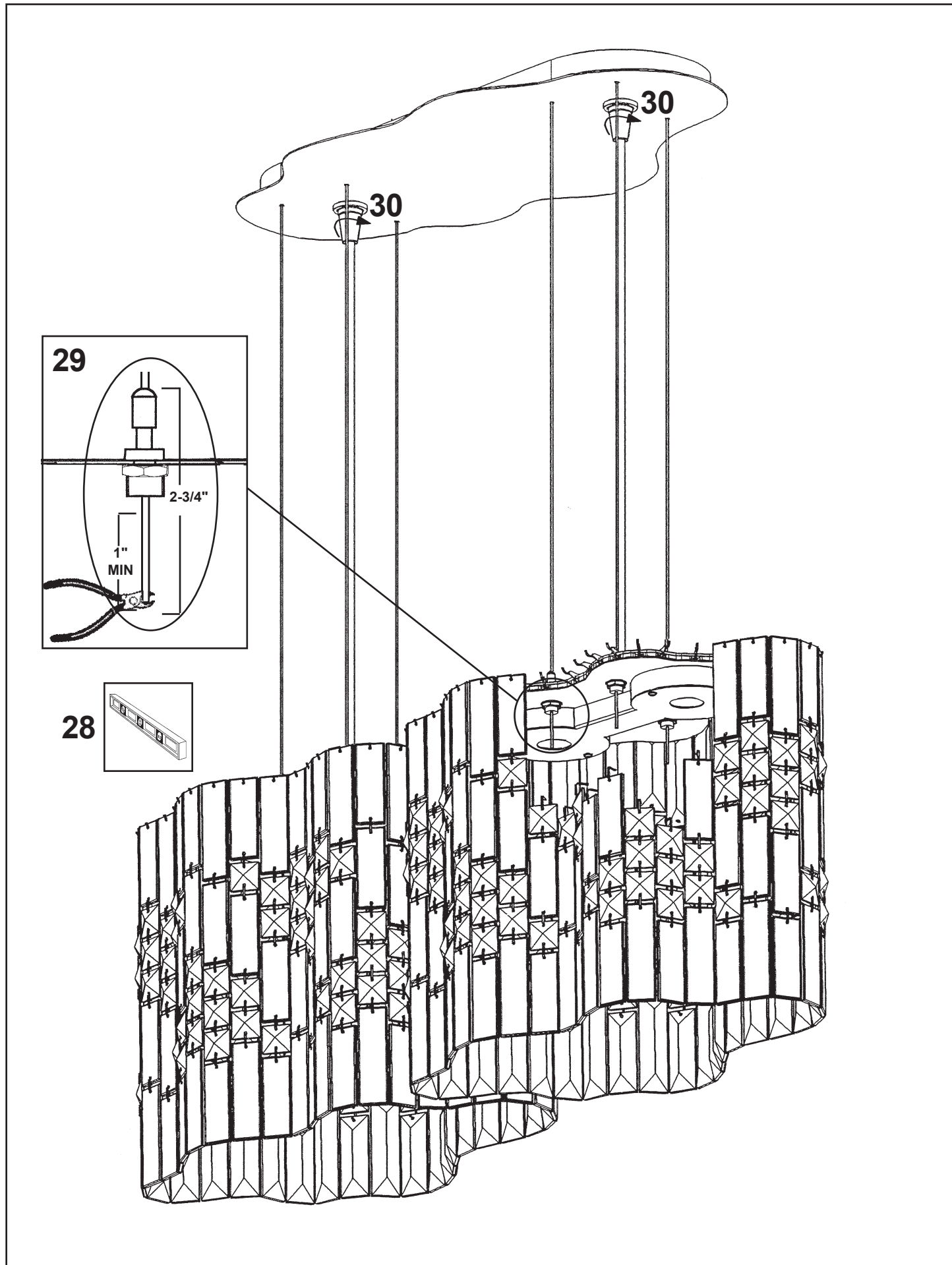


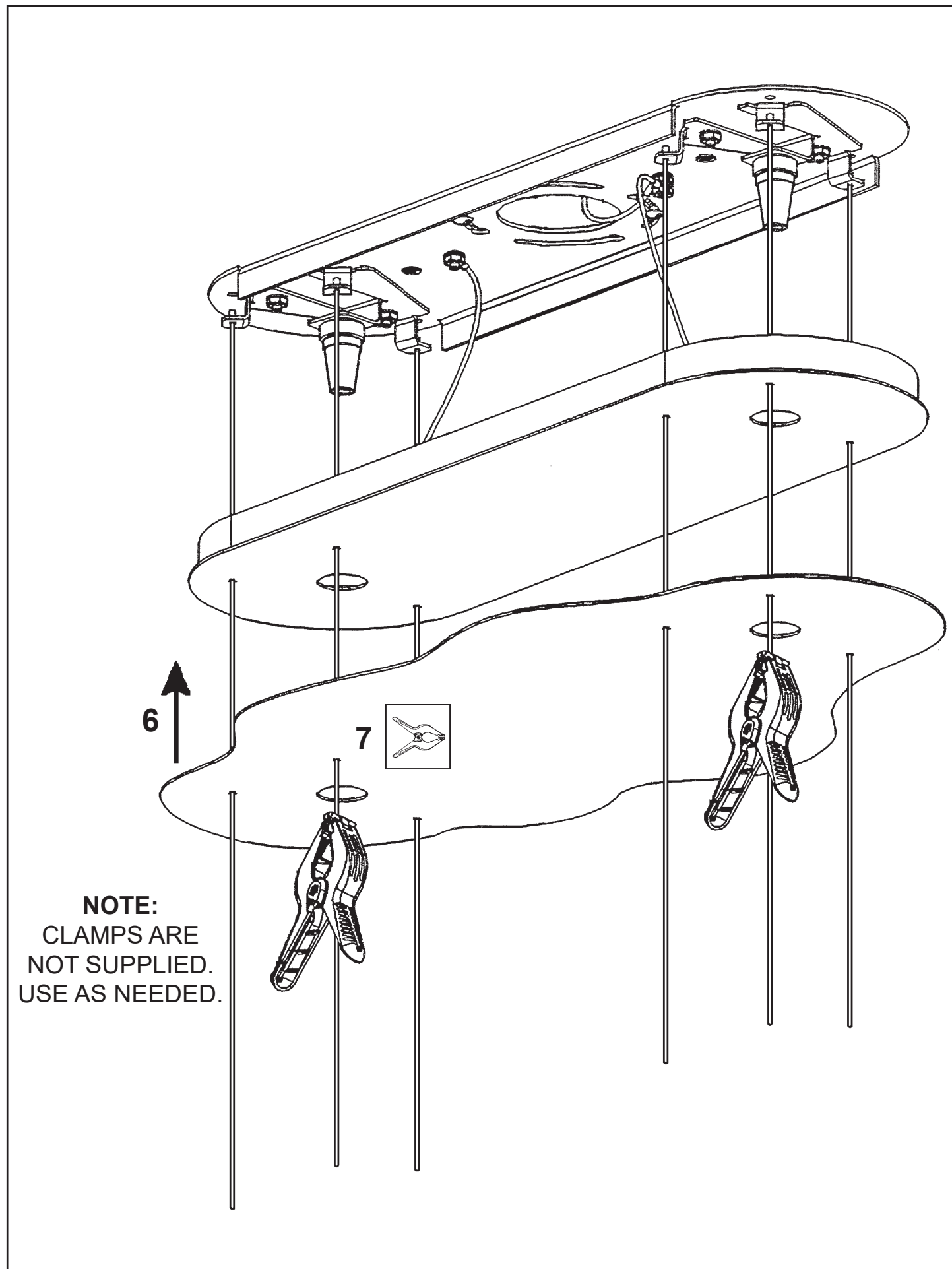
 **SCHONBEK** | 1870



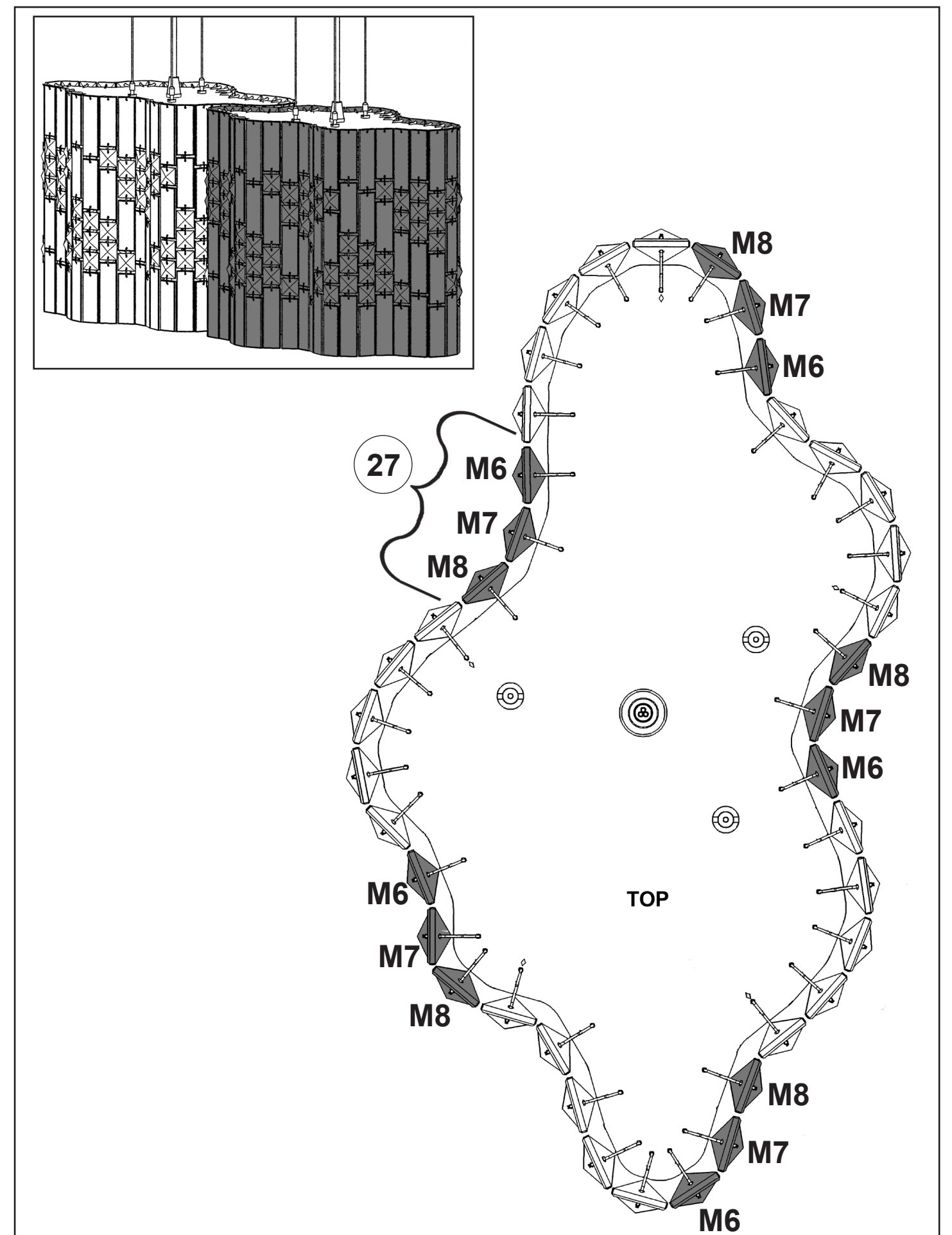
6 X  : 30561/12



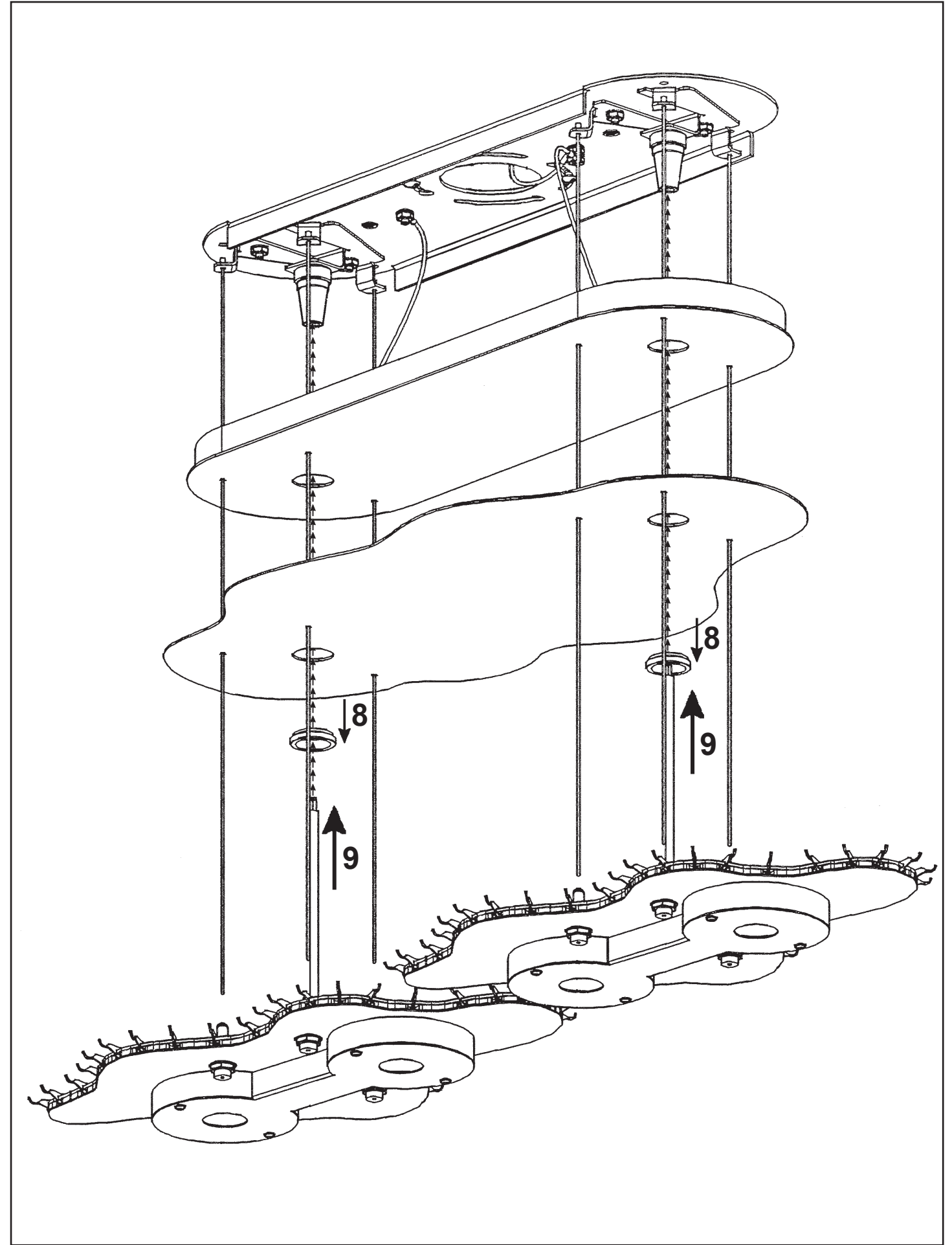
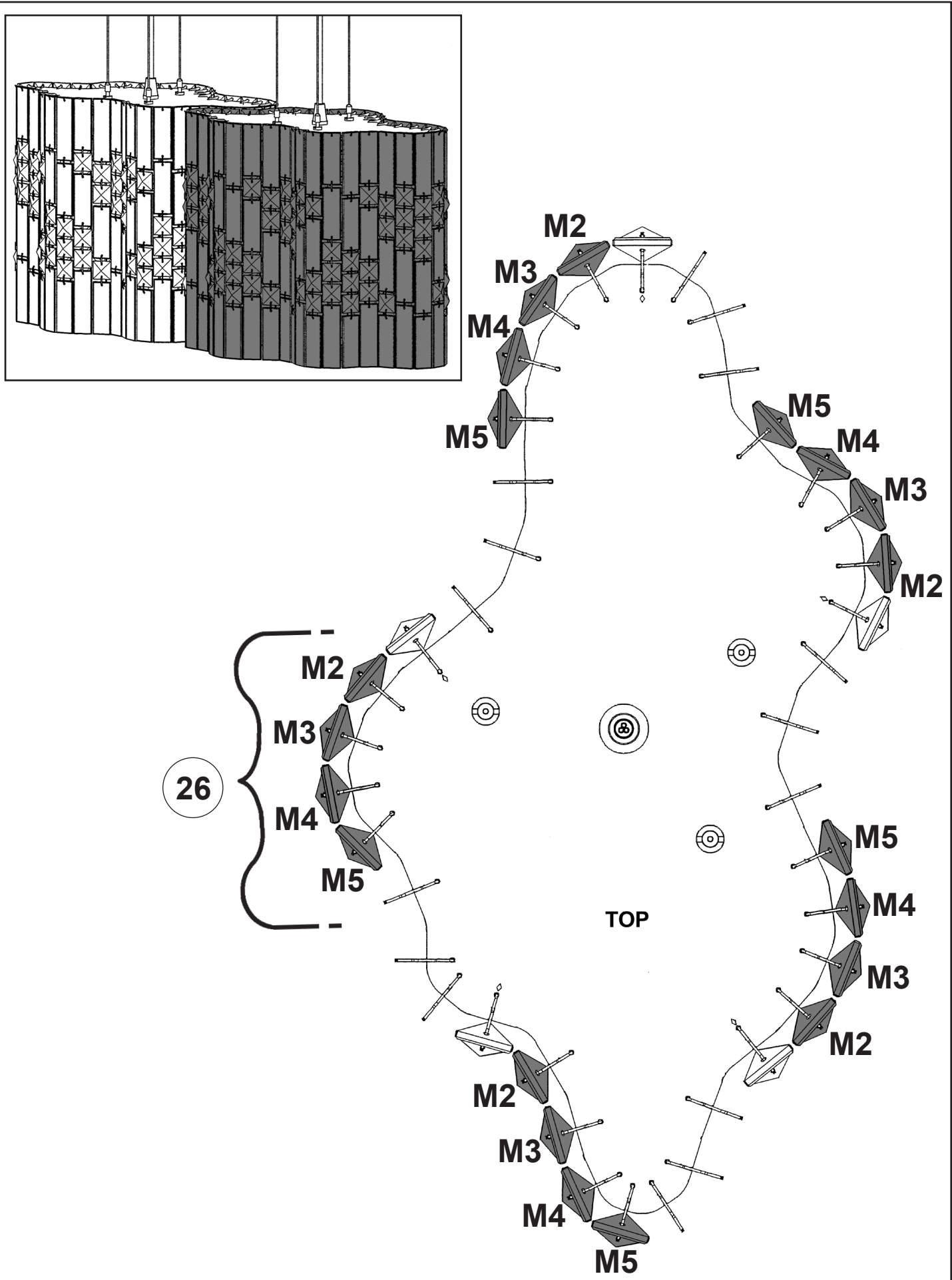


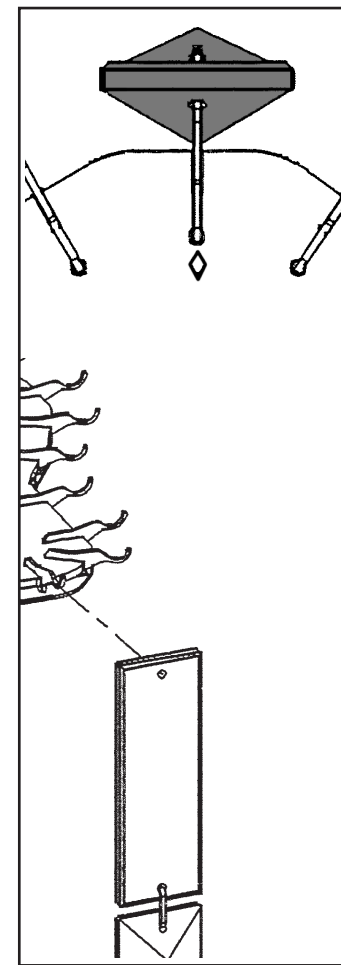
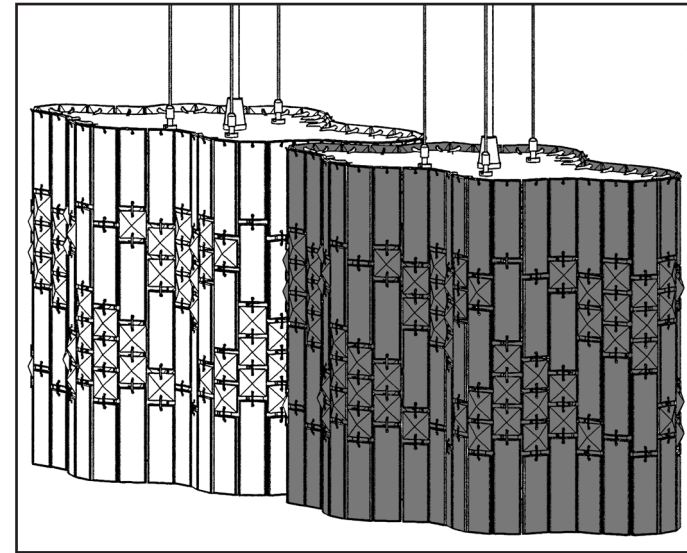
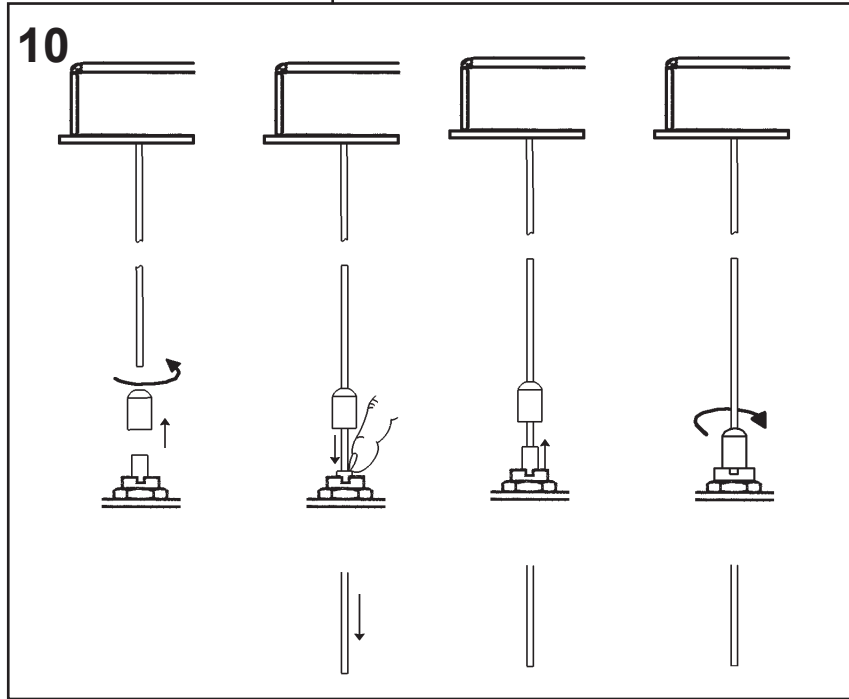
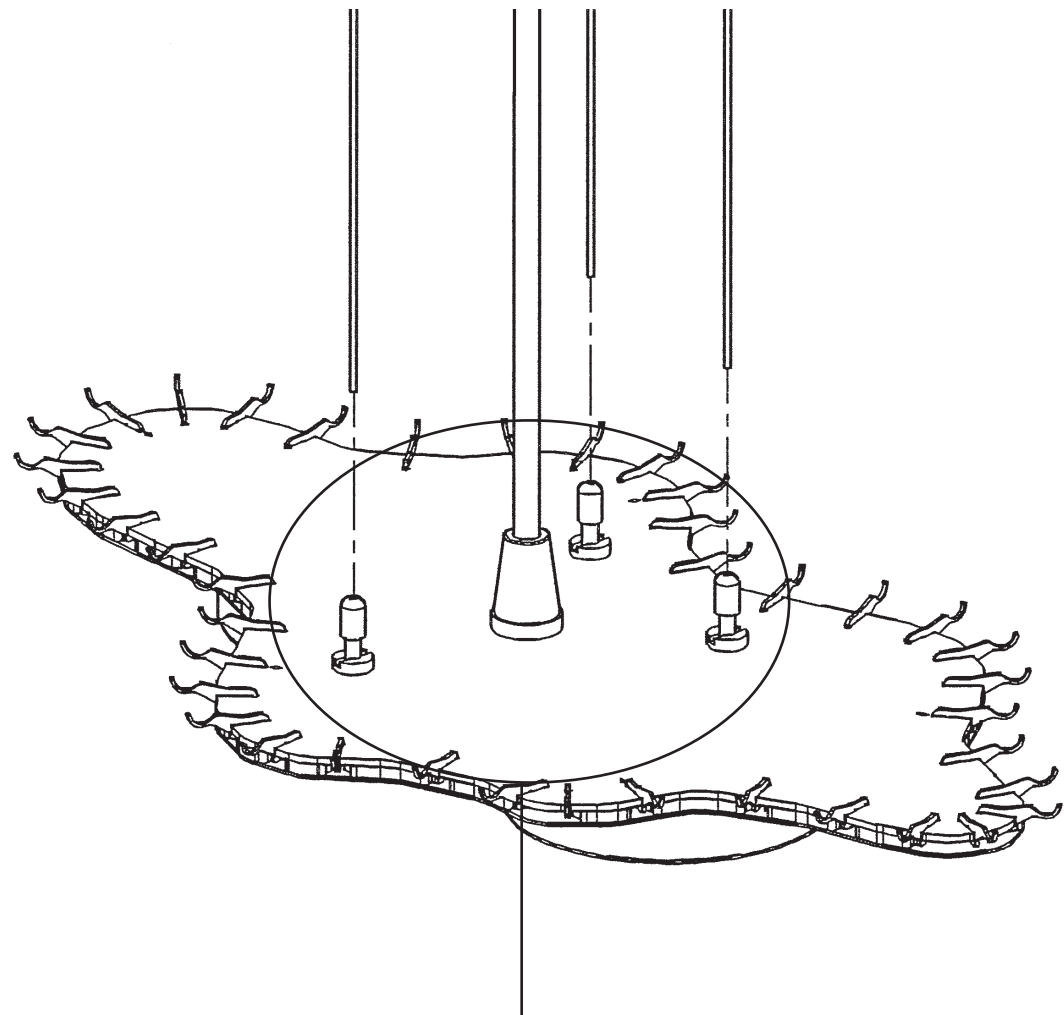


**NOTE:**  
CLAMPS ARE  
NOT SUPPLIED.  
USE AS NEEDED.









25

