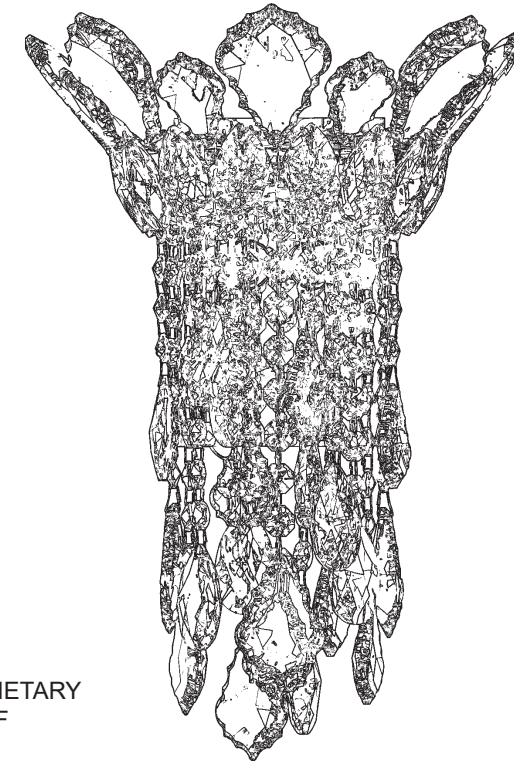


 **SCHONBEK** | 1870

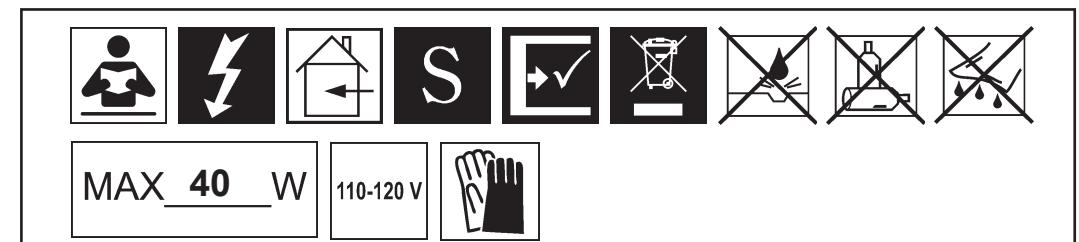
TRILLIANE STRANDS
TR0832N- __ __ H




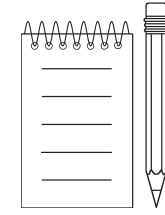
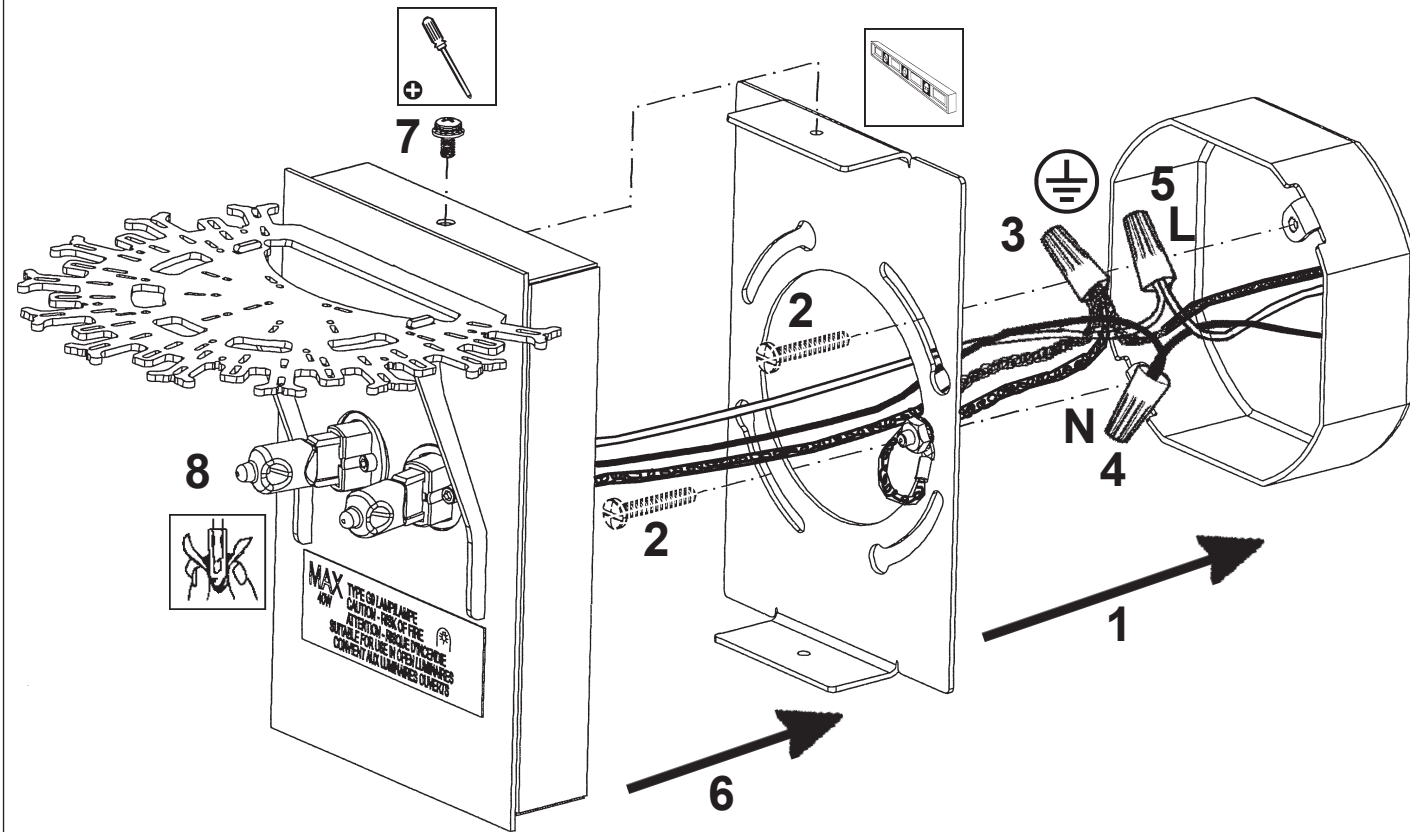
THIS DESIGN IS THE PROPRIETARY
TRADE DRESS/TRADEMARK OF
W SCHONBEK LLC.

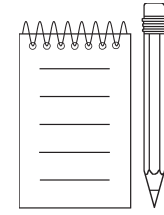
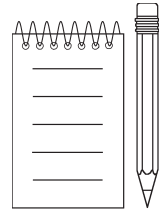
2 Lights
Length: 10"
Height: 13-1/2"
Extension: 7-1/2"
Hanging Weight: 5 lbs.

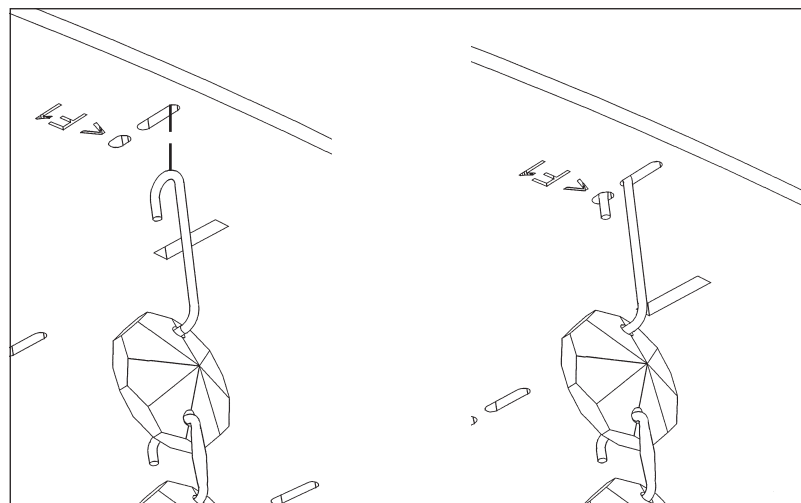
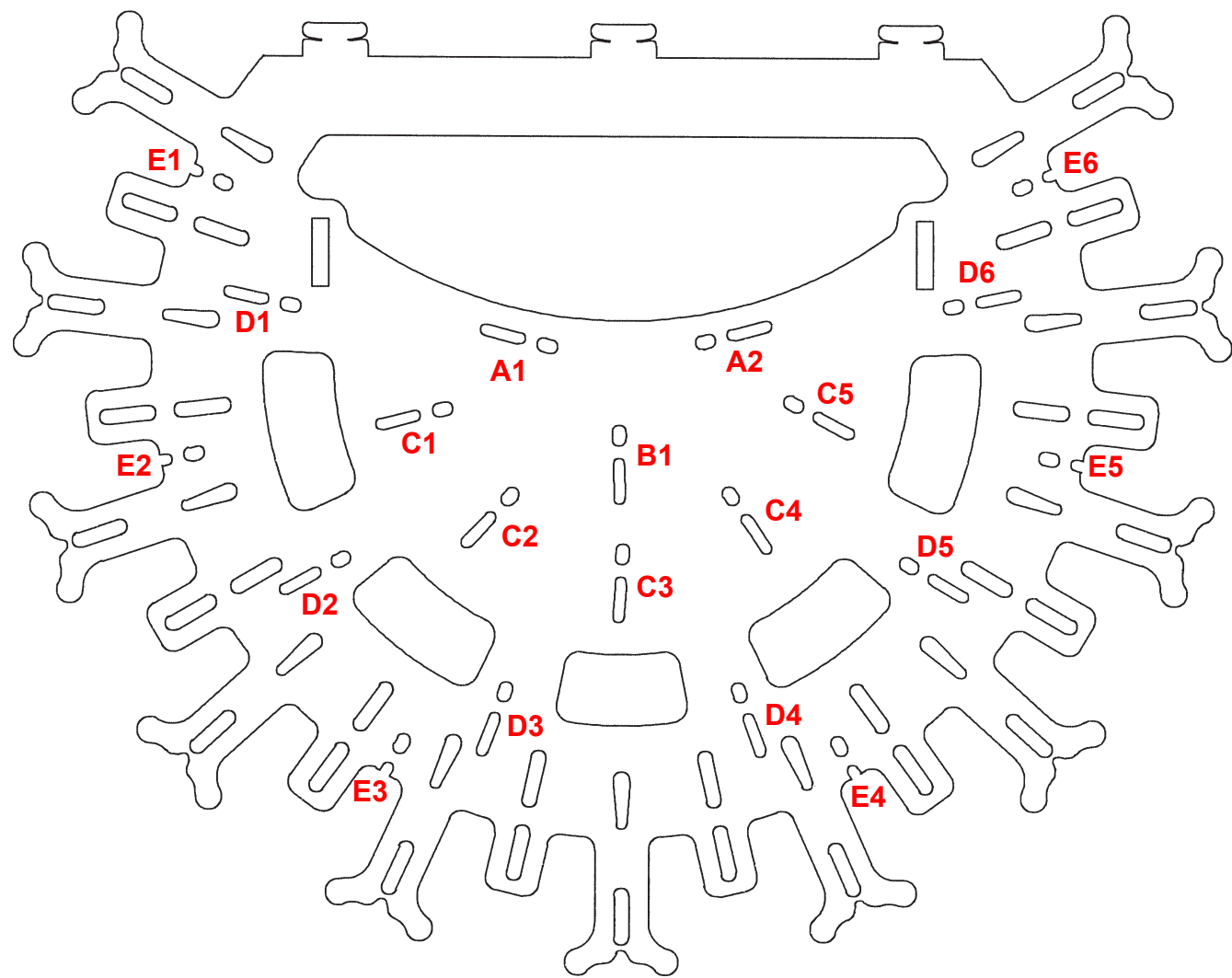
 **SCHONBEK** | 1870



2 X  : G9 40W MAX 

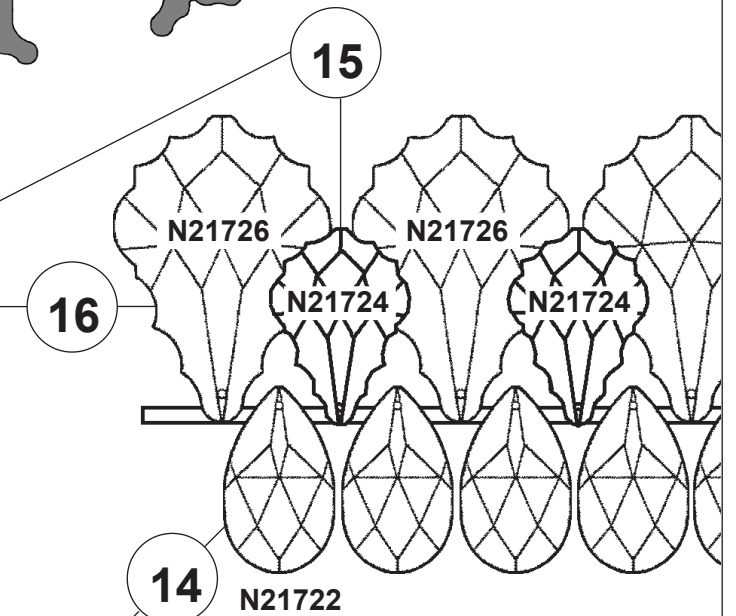
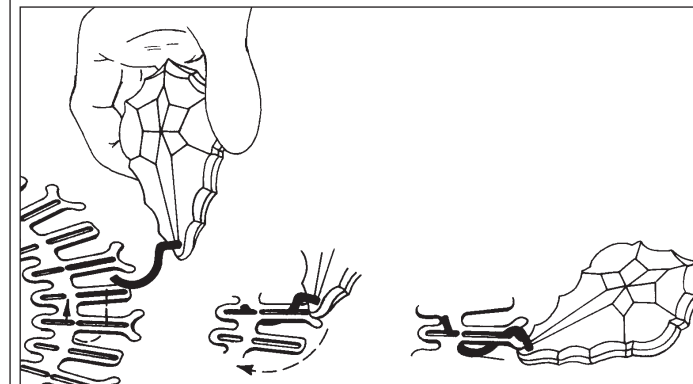
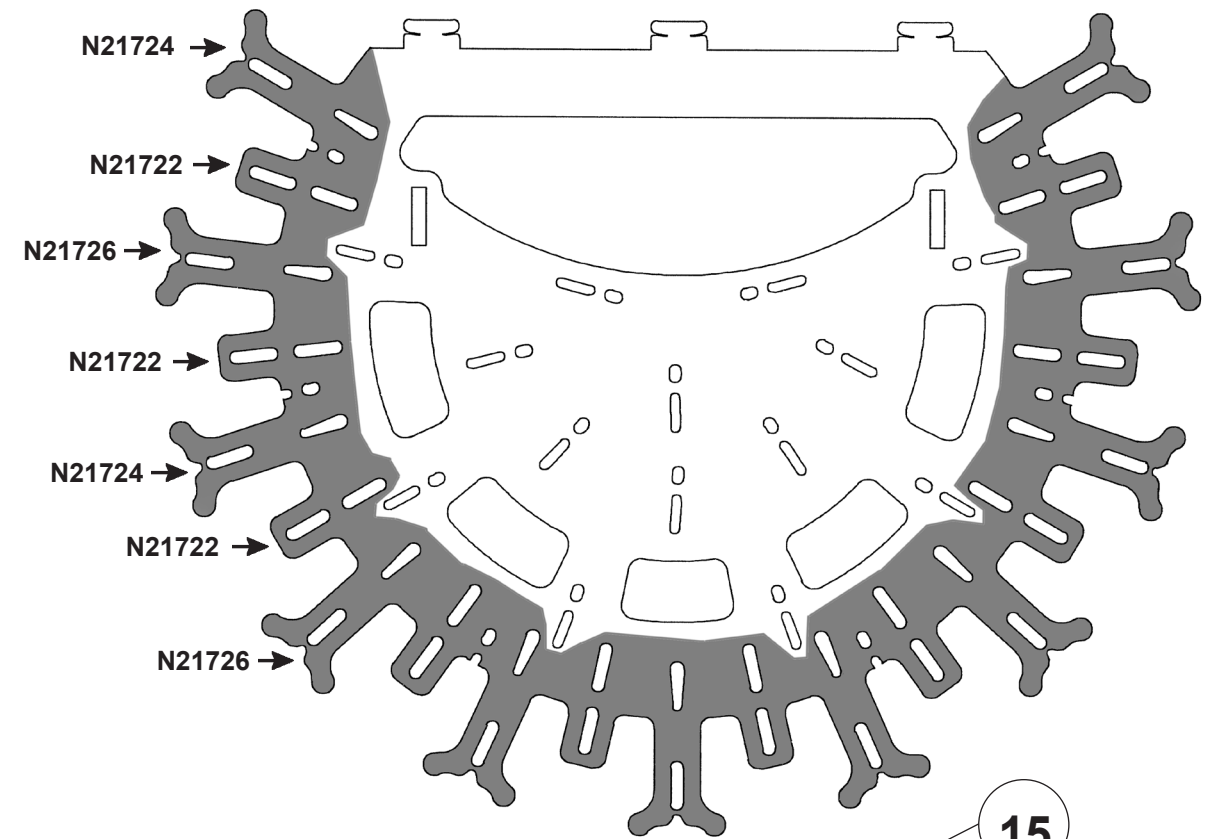






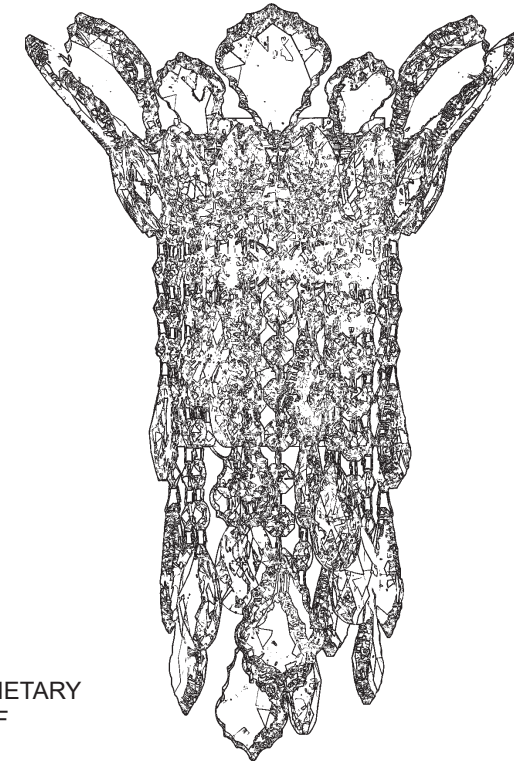
- 9** A1 - A2
- 10** B1
- 11** C1 - C5
- 12** D1 - D6
- 13** E1 - E6

After hanging all trim, remove labels from crystals. If residue remains, wipe off crystal with a soft, dry cloth.



 **SCHONBEK** | 1870

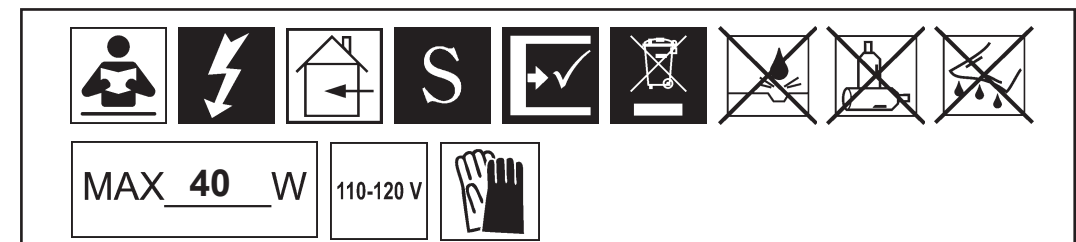
TRILLIANE STRANDS
TR0832N- __ __ R



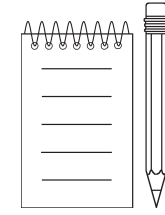
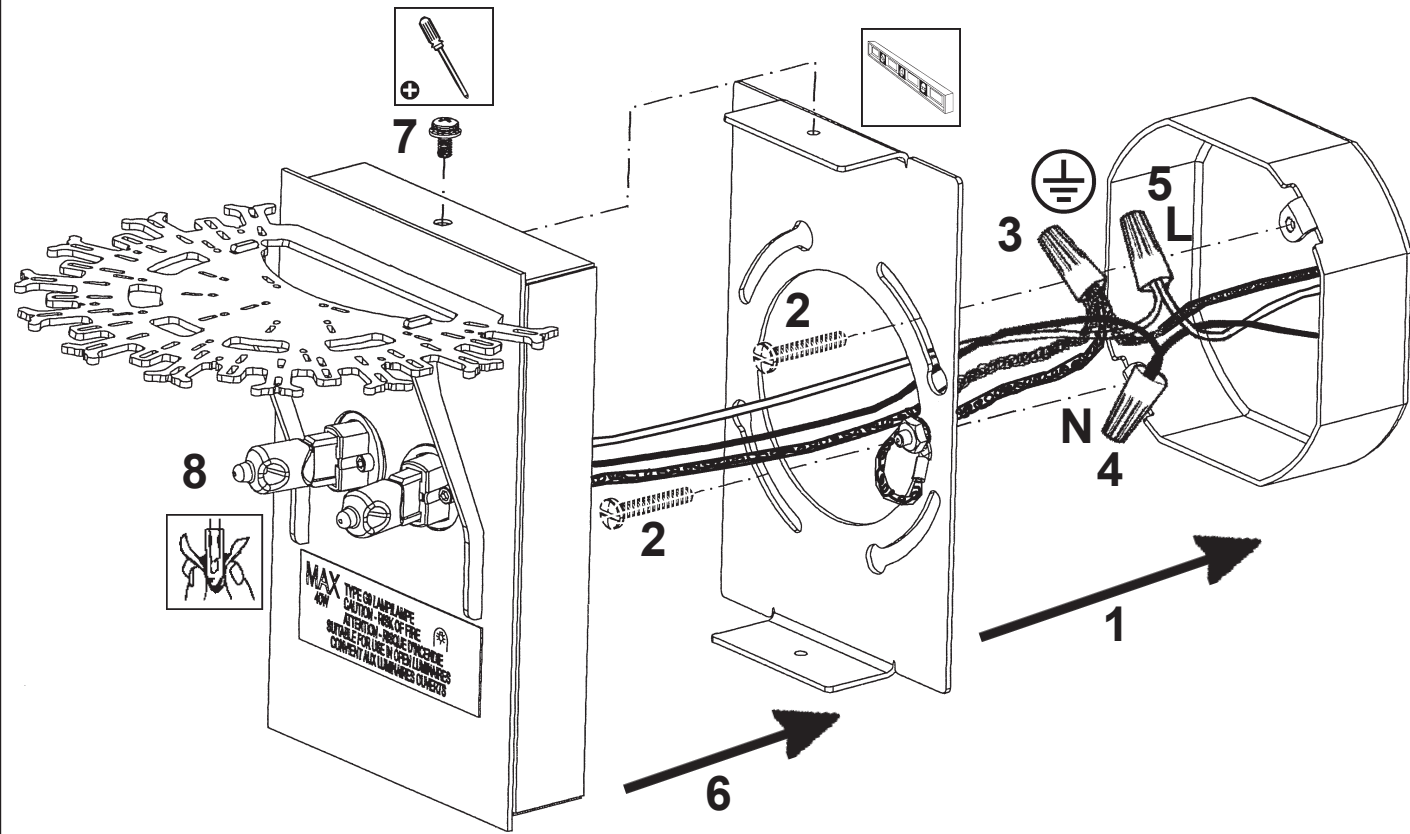
THIS DESIGN IS THE PROPRIETARY
TRADE DRESS/TRADEMARK OF
W SCHONBEK LLC.

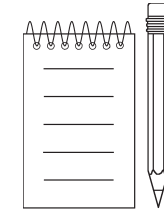
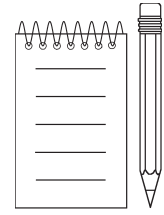
2 Lights
Length: 10"
Height: 13-1/2"
Extension: 7-1/2"
Hanging Weight: 5 lbs.

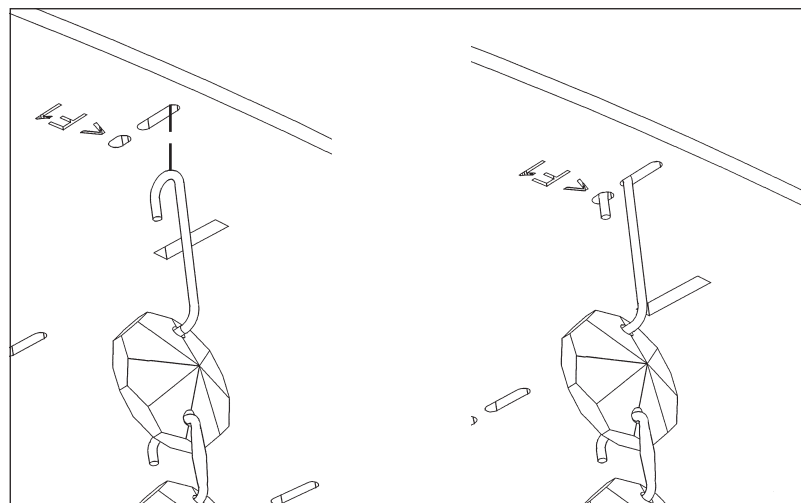
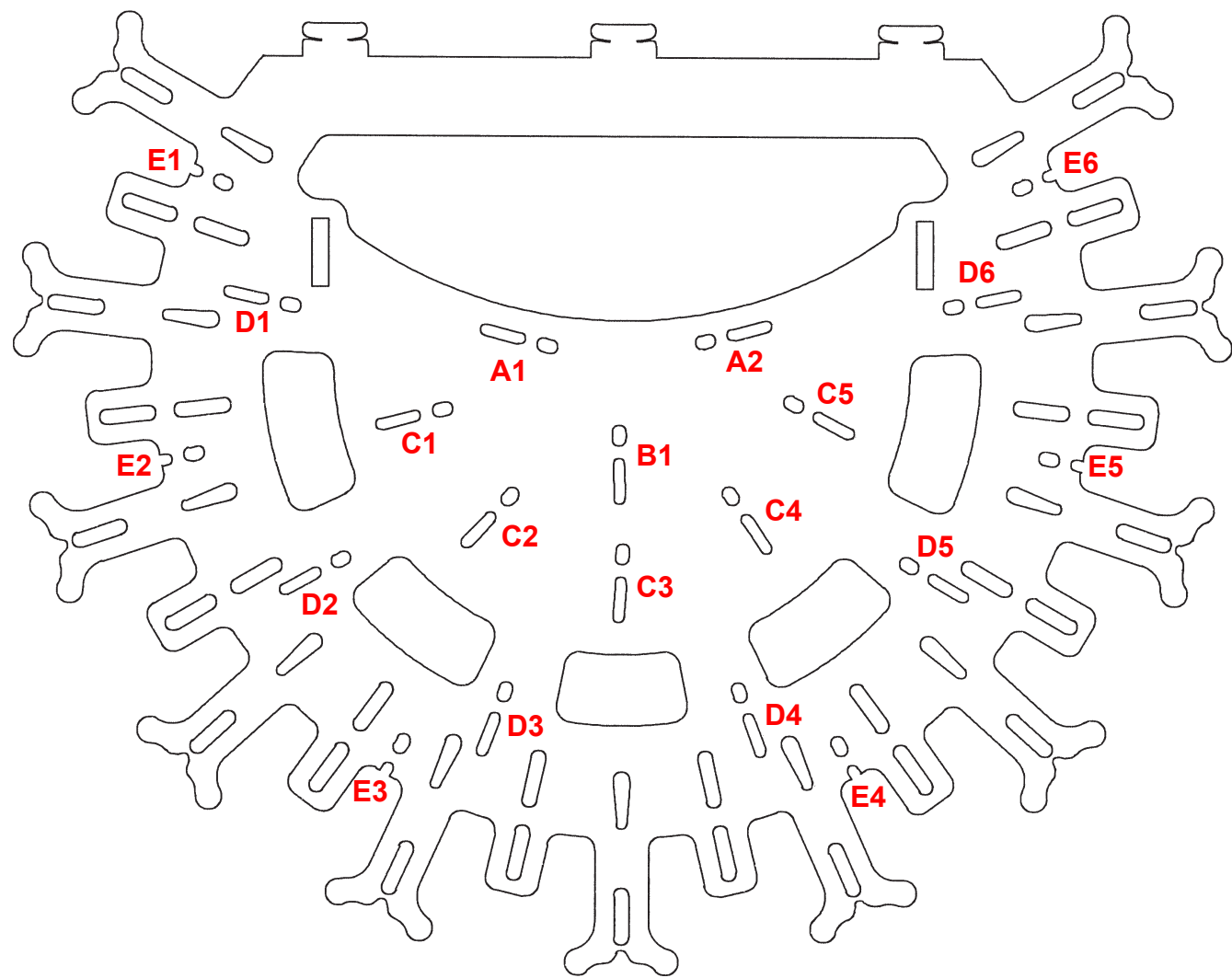
 **SCHONBEK** | 1870



2 X  : G9 40W MAX 







- 9** A1 - A2
- 10** B1
- 11** C1 - C5
- 12** D1 - D6
- 13** E1 - E6

After hanging all trim, remove labels from crystals. If residue remains, wipe off crystal with a soft, dry cloth.

