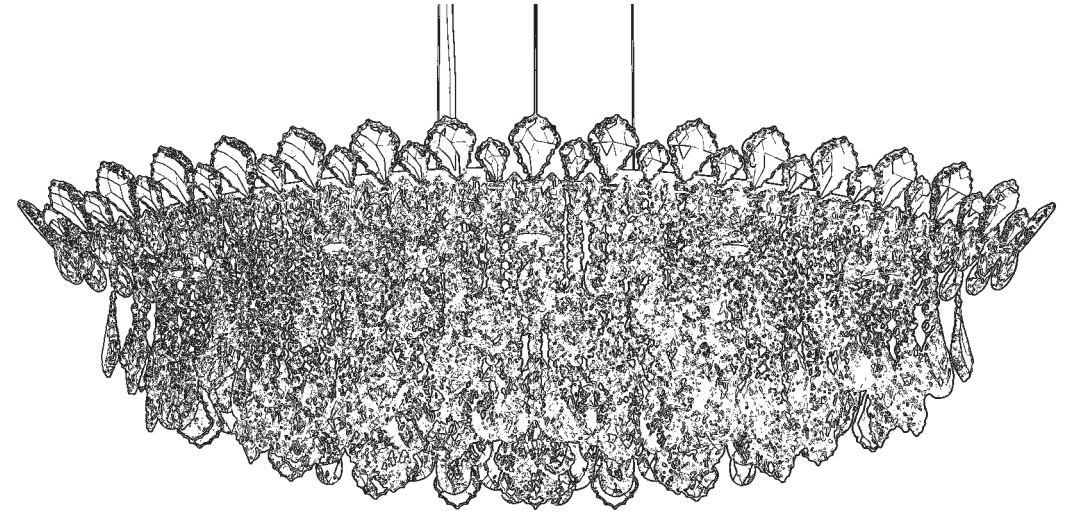


 **SCHONBEK** | 1870










TRILLIANE STRANDS TR4811N- __ __ H



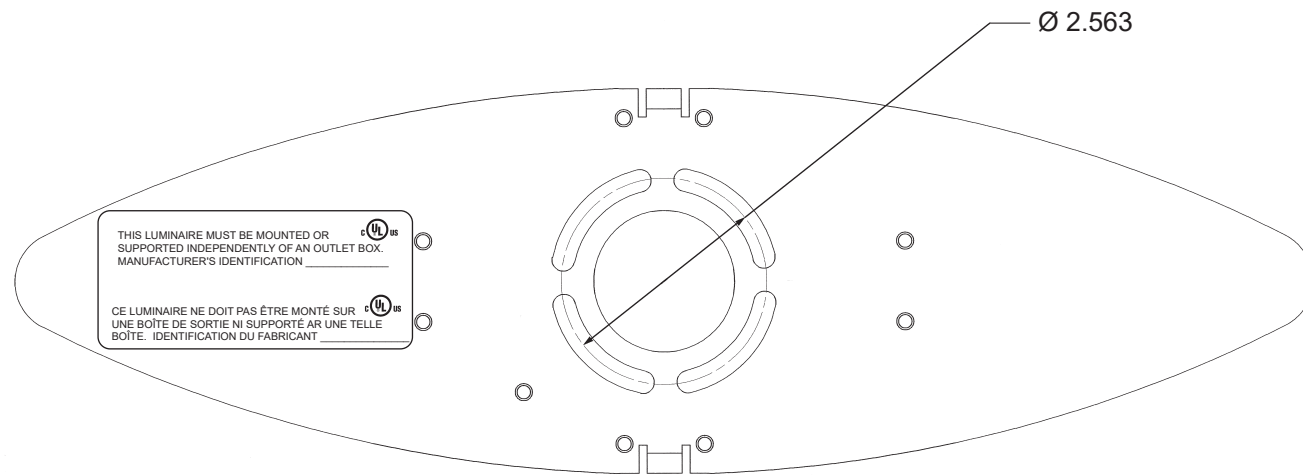
THIS DESIGN IS THE PROPRIETARY
TRADE DRESS/TRADEMARK OF
W SCHONBEK LLC.

8 Lights
Height: 12"
Length: 45"
Width: 25"
Hanging Weight: 58lbs.

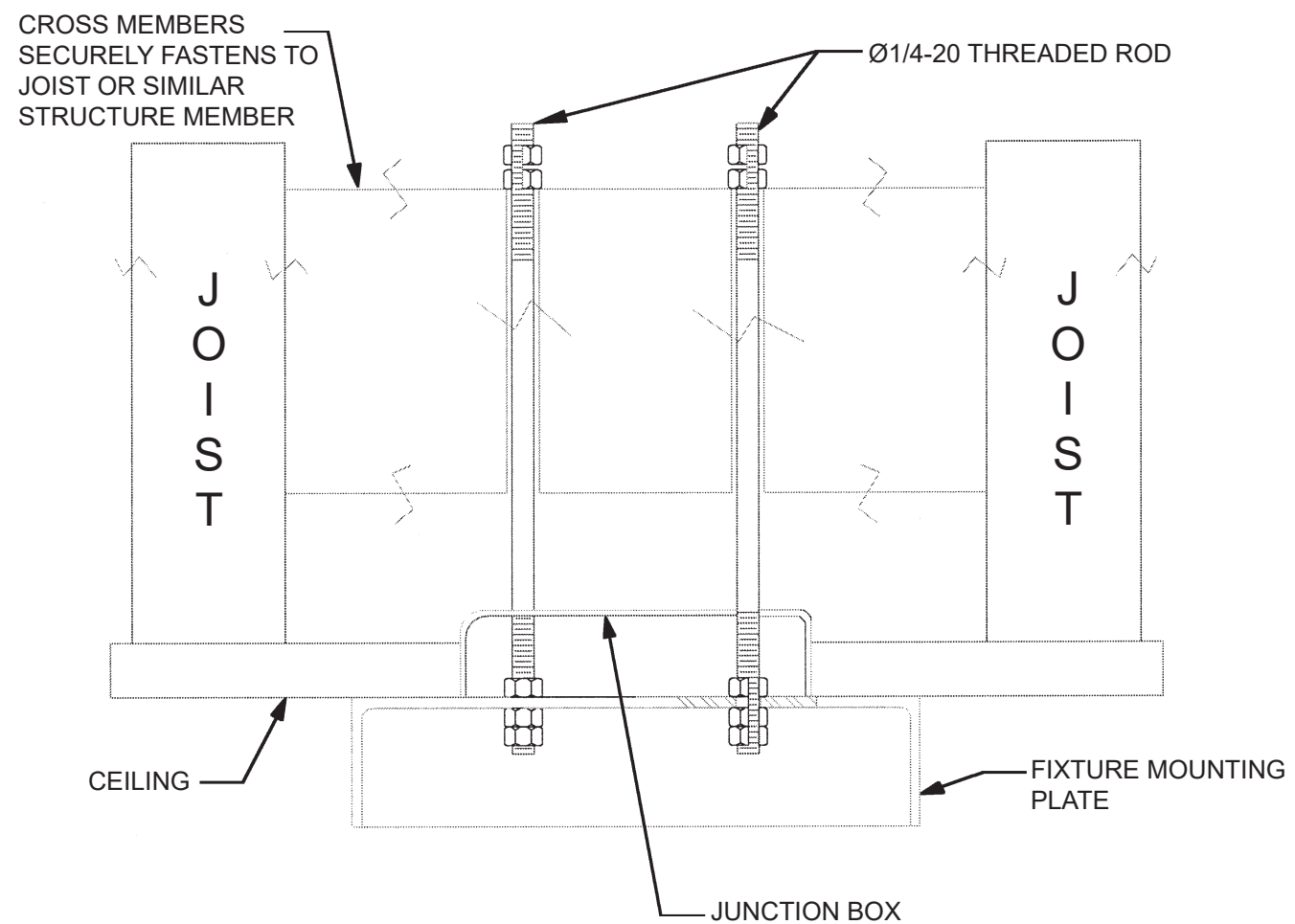
 **SCHONBEK** | 1870

			S					
MAX 50 W	110-120 V							

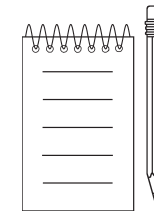
NOTE: INSTALLER IS SOLELY RESPONSIBLE FOR PROPER MOUNTING!

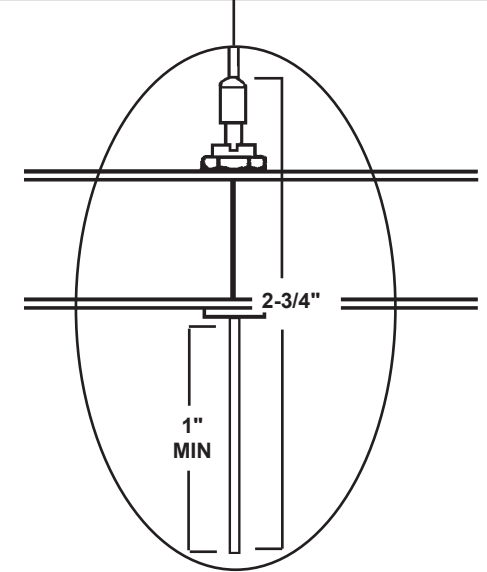
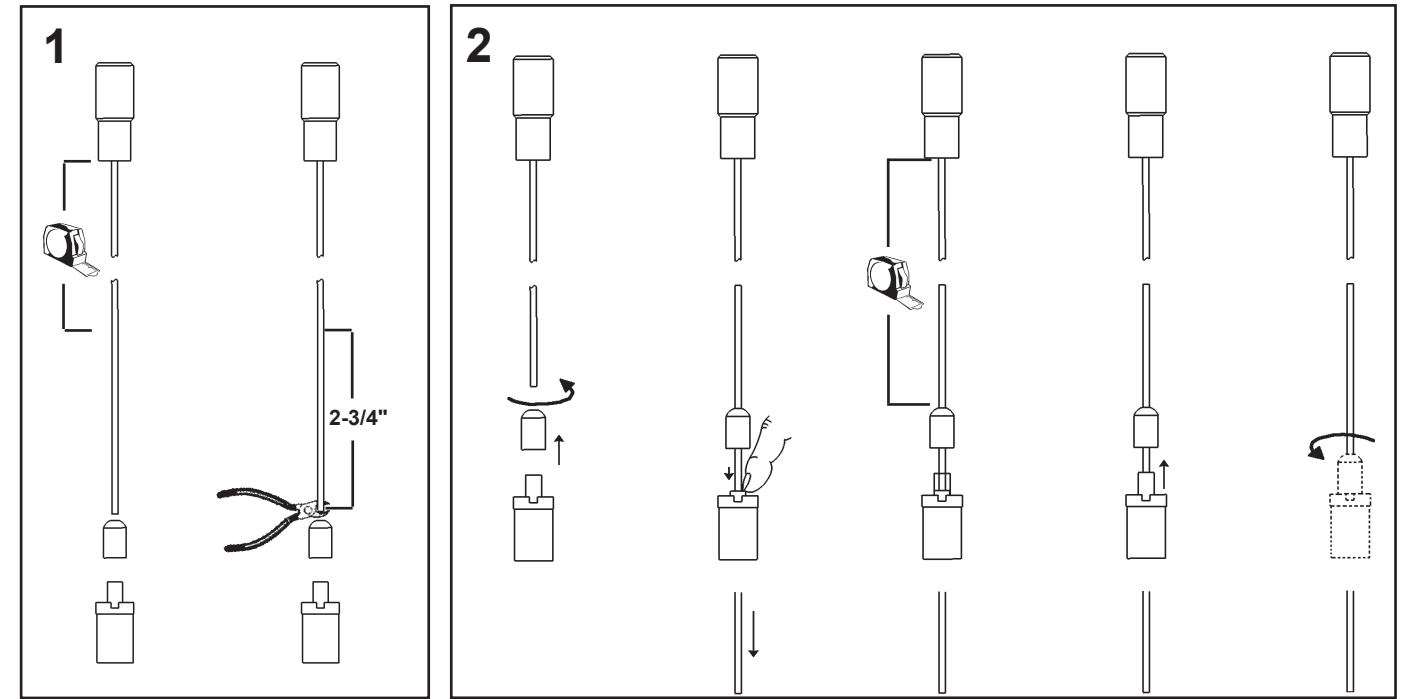
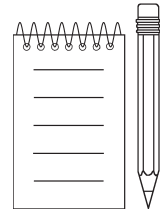


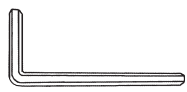
PLAN VIEW OF MOUNTING BRACKET

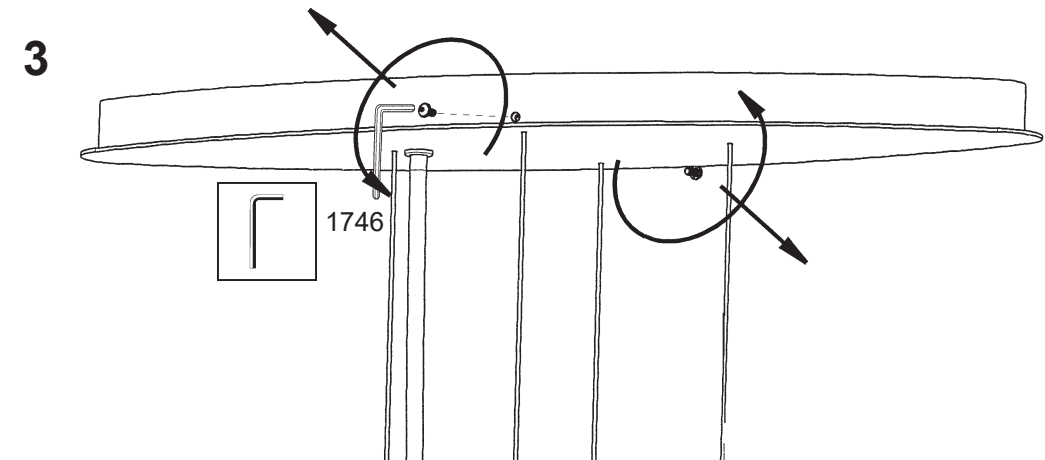


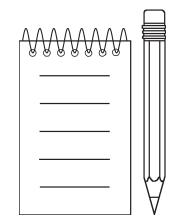
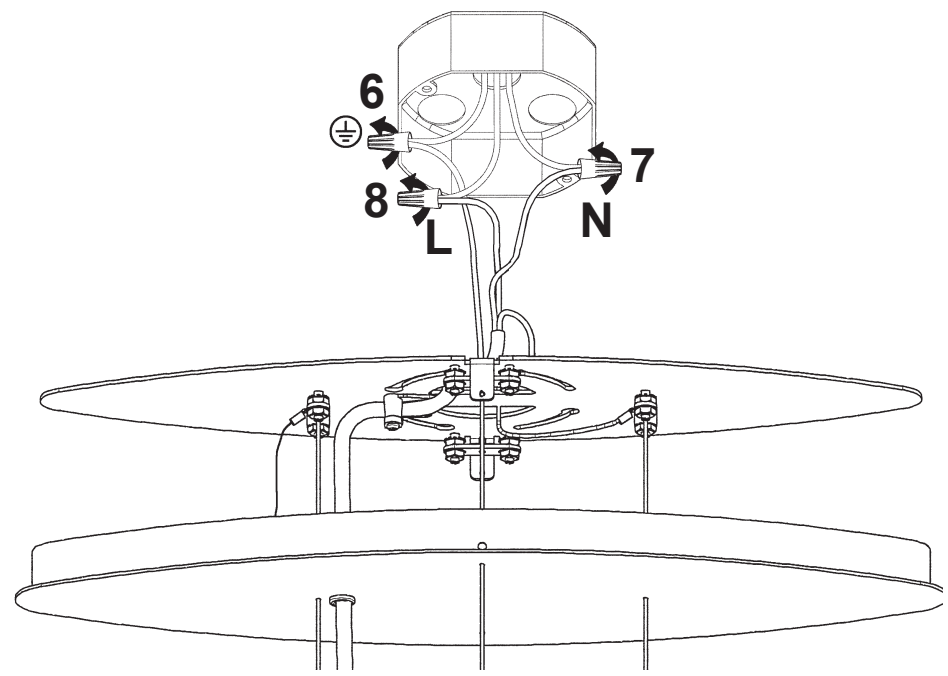
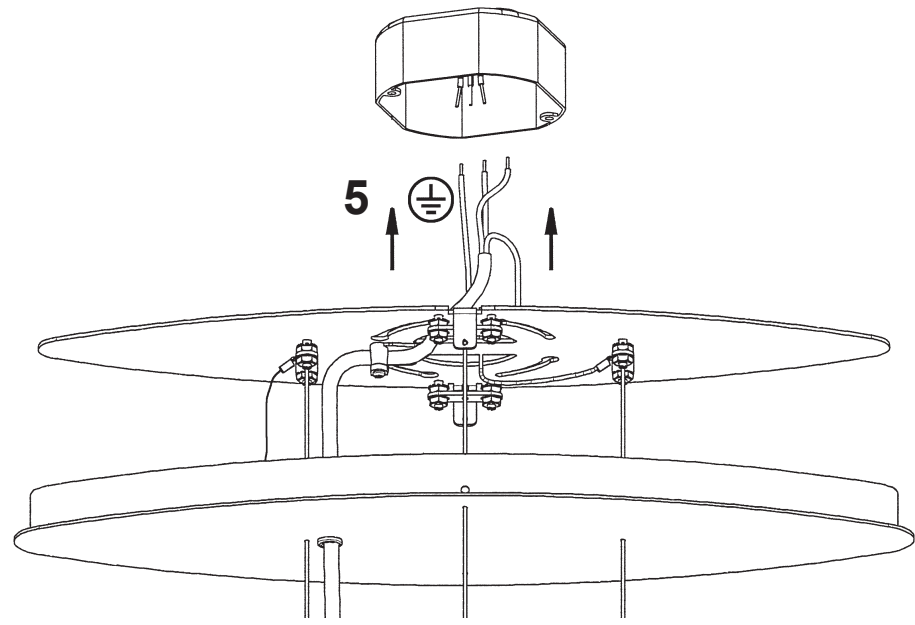
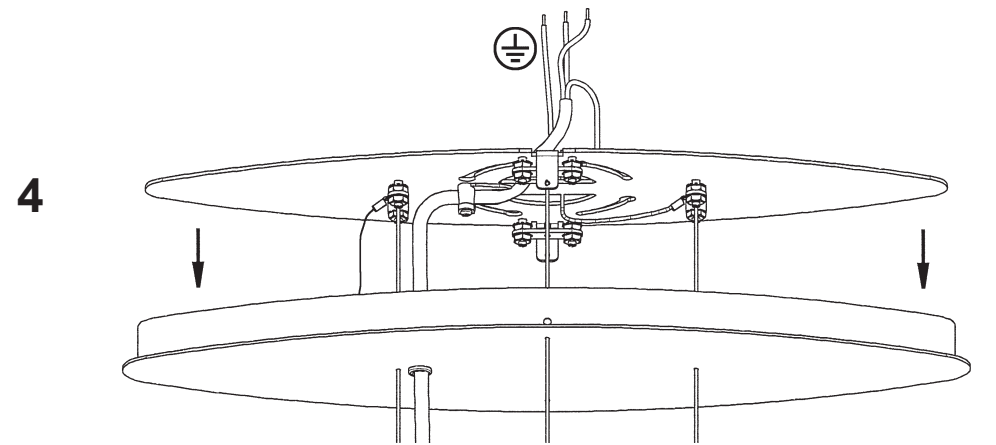
WARNING:
MOUNTING CONFIGURATION AND HARDWARE MUST HOLD 4X THE WEIGHT OF THE FIXTURE. MOUNTING DESIGN AND FIXTURE INSTALLATION SHOULD BE CONDUCTED BY A QUALIFIED LICENSED PROFESSIONAL.

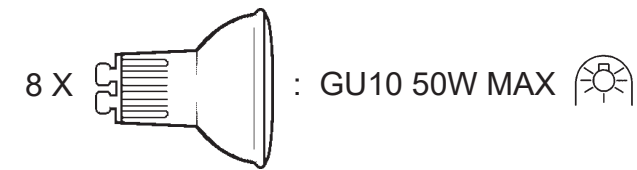
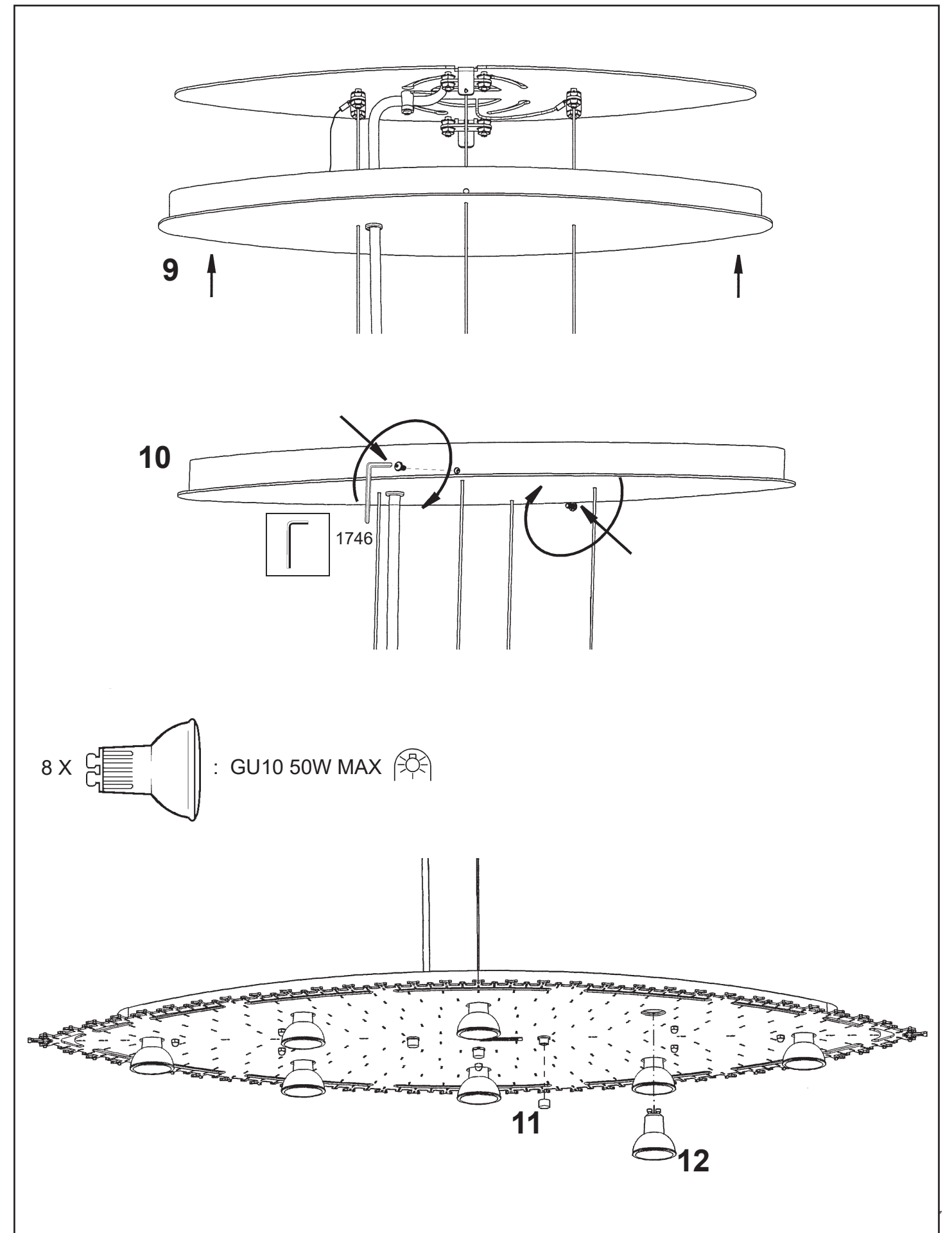
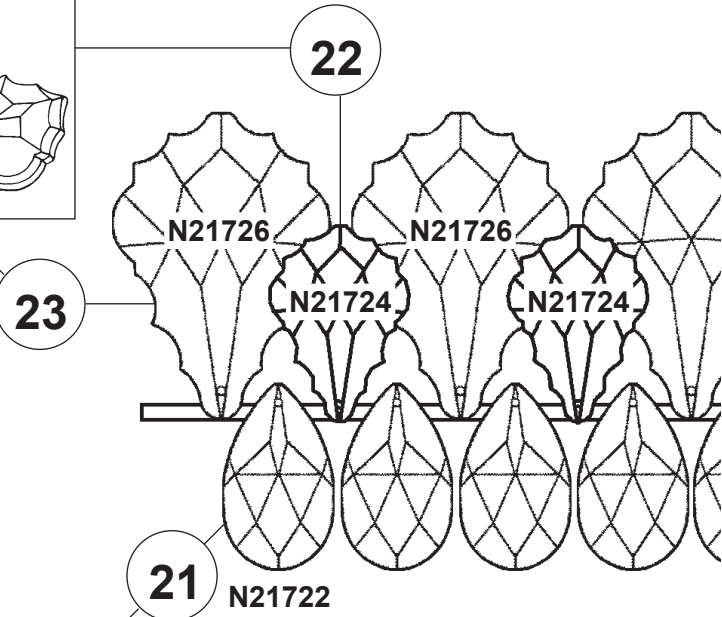
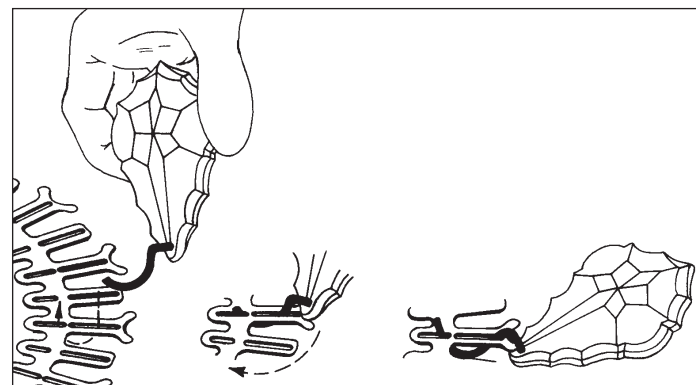
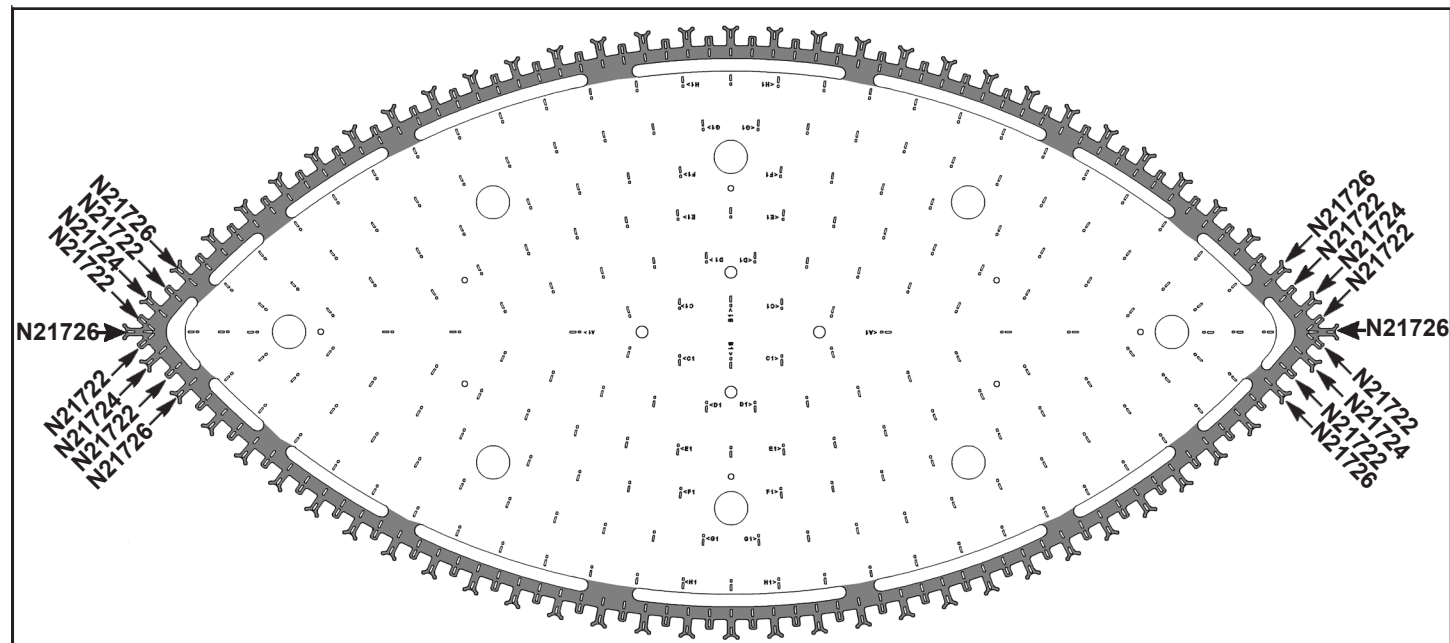


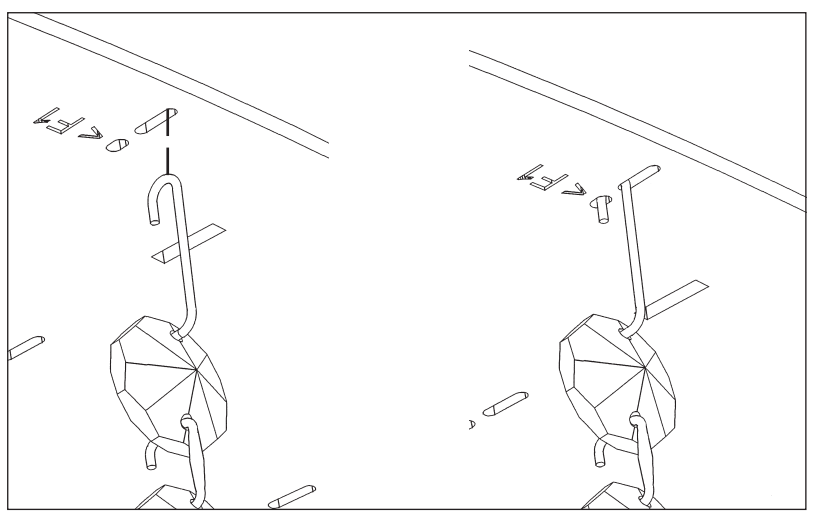
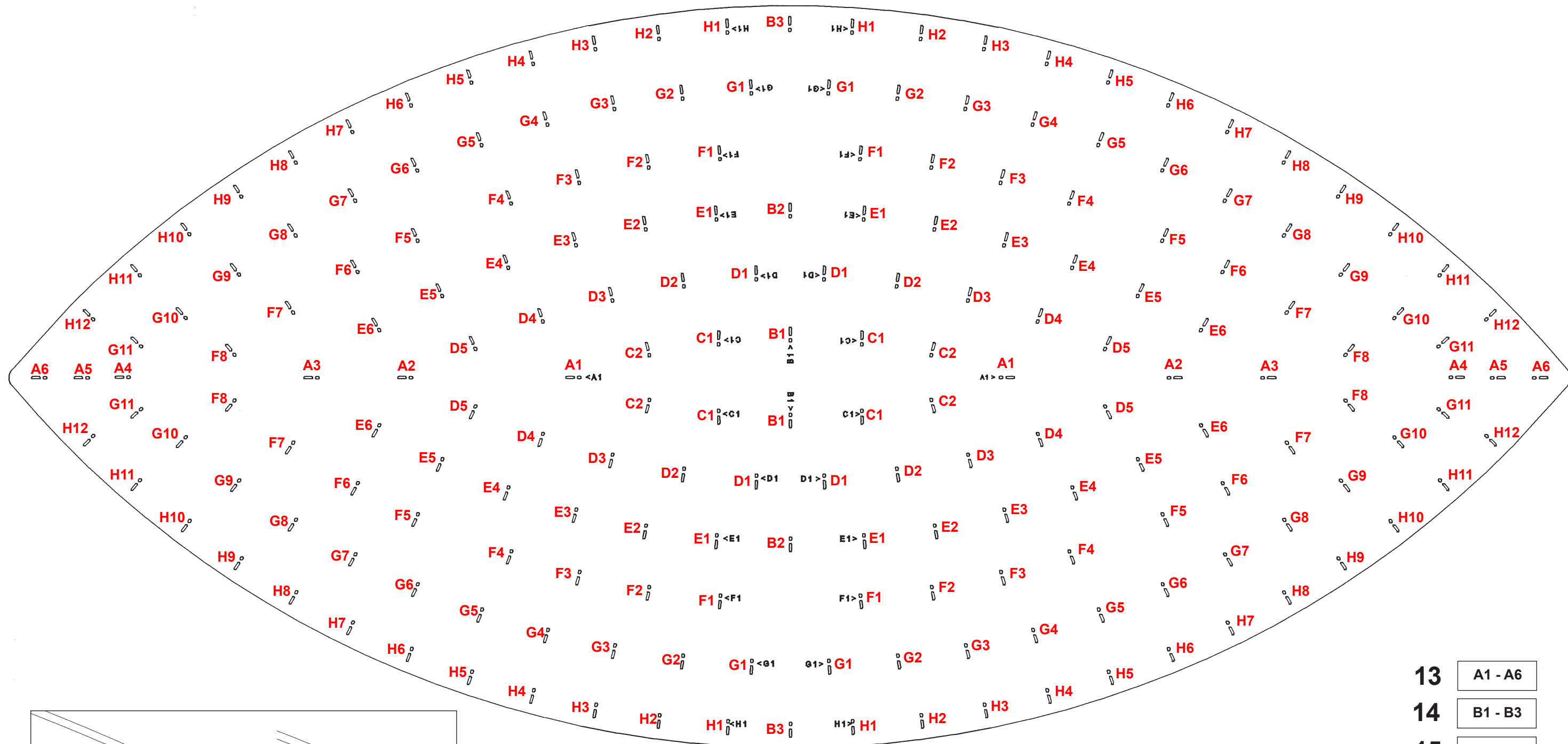


1 X  : 1746







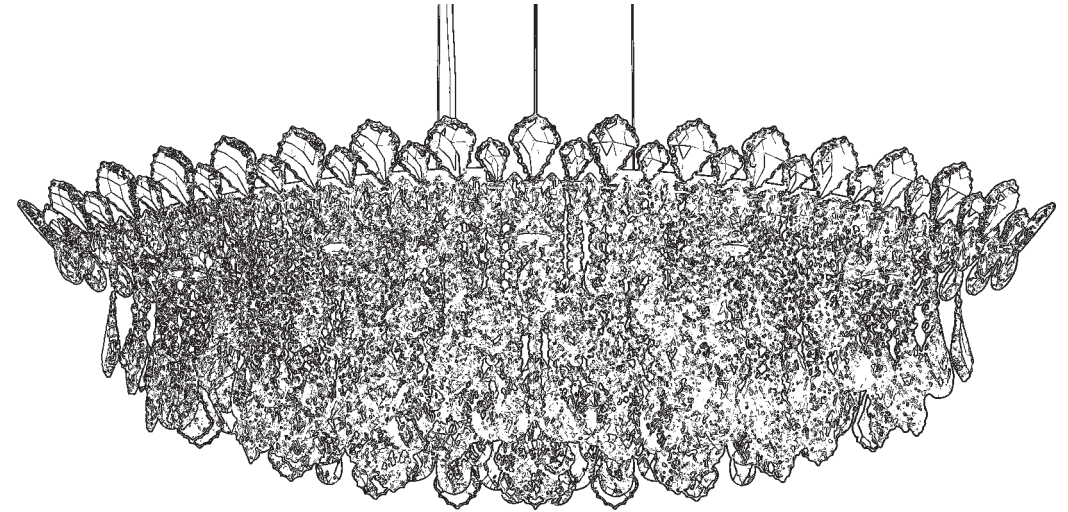


After hanging all trim, remove labels from crystals. If residue remains, wipe off crystal with a soft, dry cloth.

- 13 A1 - A6
- 14 B1 - B3
- 15 C1 - C2
- 16 D1 - D5
- 17 E1 - E6
- 18 F1 - F8
- 19 G1 - G11
- 20 H1 - H12

 **SCHONBEK** | 1870










TRILLIANE STRANDS TR4811N- __ _R



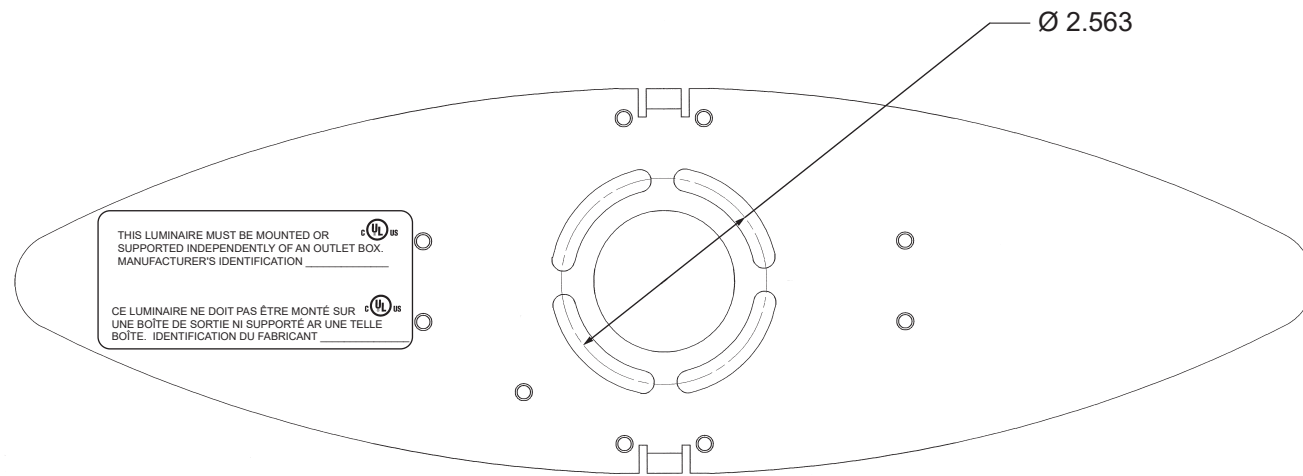
THIS DESIGN IS THE PROPRIETARY
TRADE DRESS/TRADEMARK OF
W SCHONBEK LLC.

8 Lights
Height: 12"
Length: 45"
Width: 25"
Hanging Weight: 58lbs.

 **SCHONBEK** | 1870

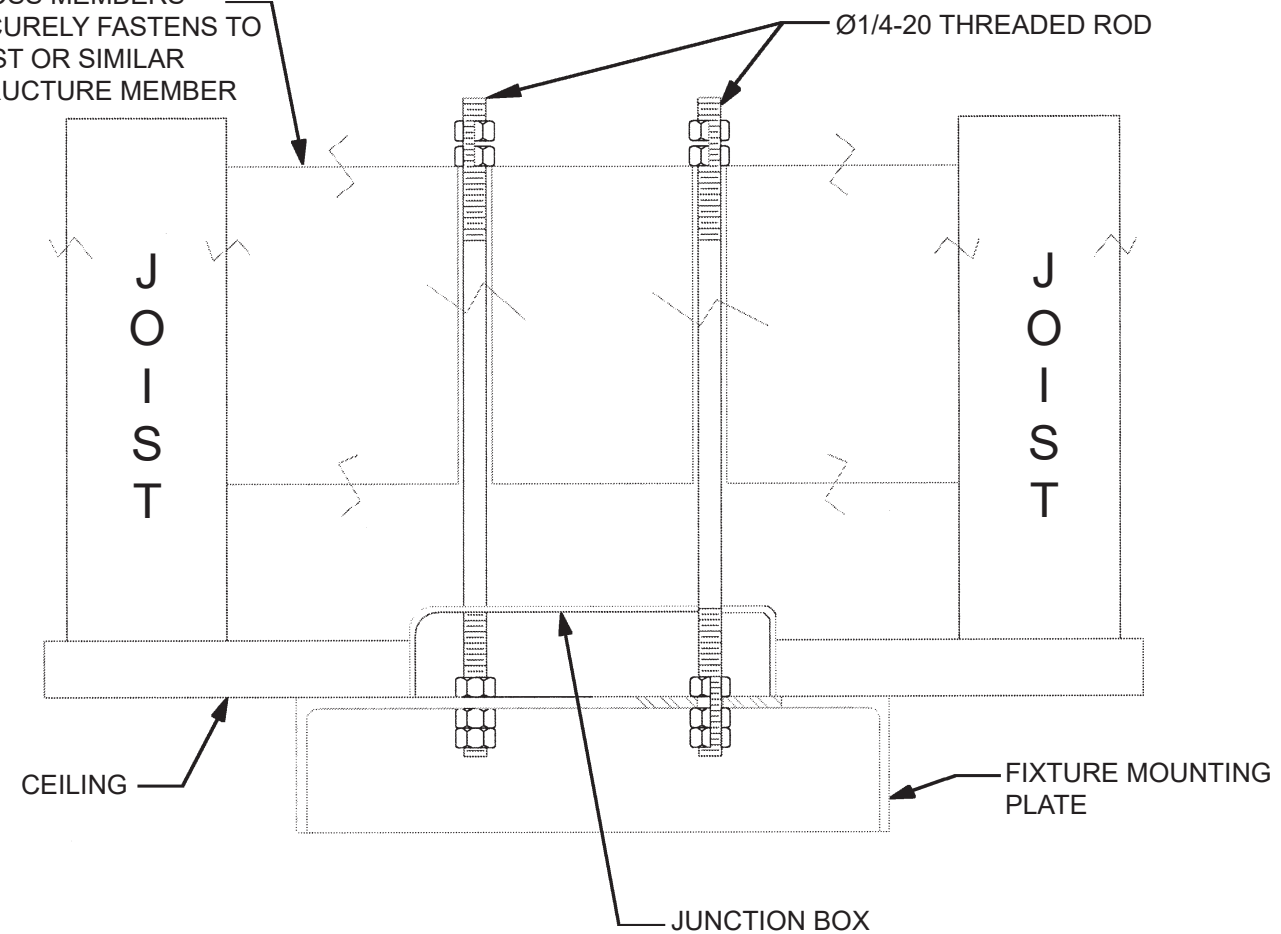
			S					
MAX 50 W	110-120 V							

NOTE: INSTALLER IS SOLELY RESPONSIBLE FOR PROPER MOUNTING!



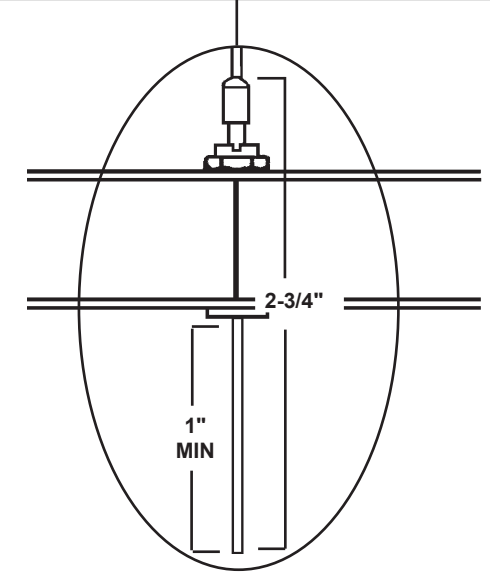
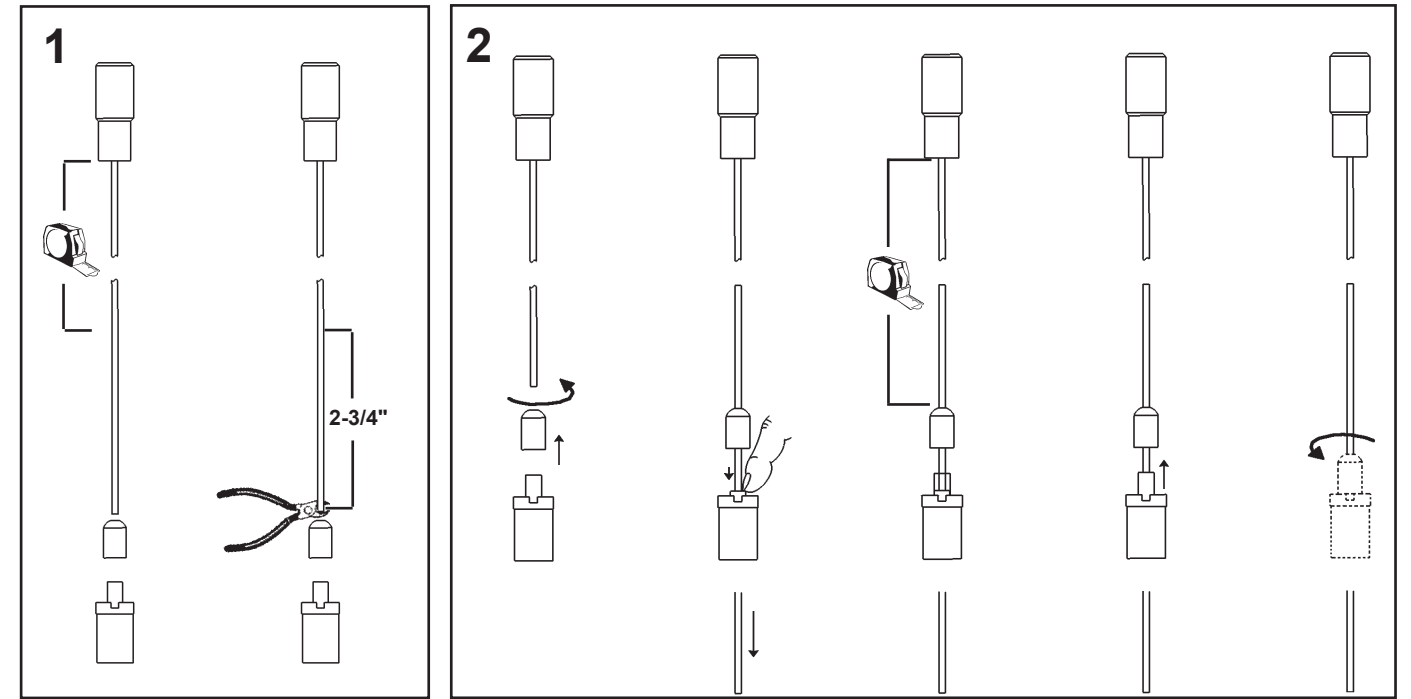
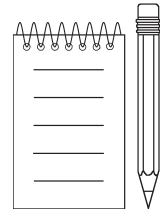
PLAN VIEW OF MOUNTING BRACKET

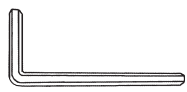
CROSS MEMBERS
SECURELY FASTENS TO
JOIST OR SIMILAR
STRUCTURE MEMBER

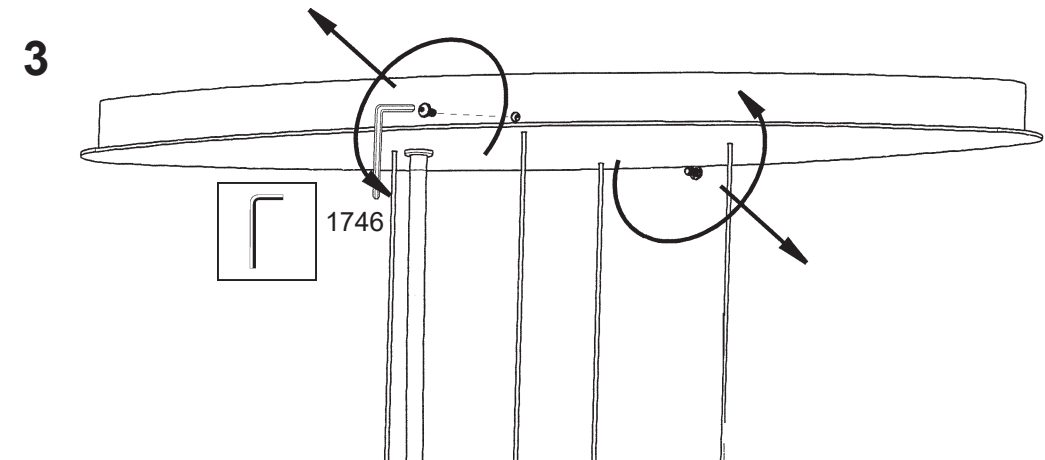


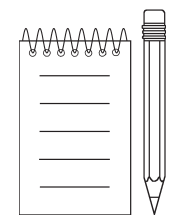
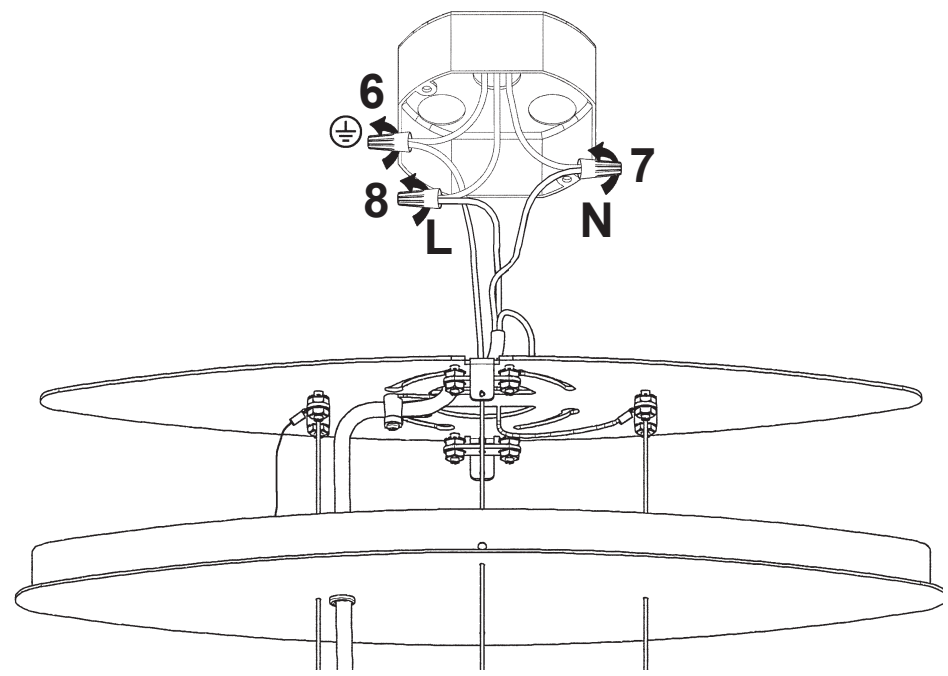
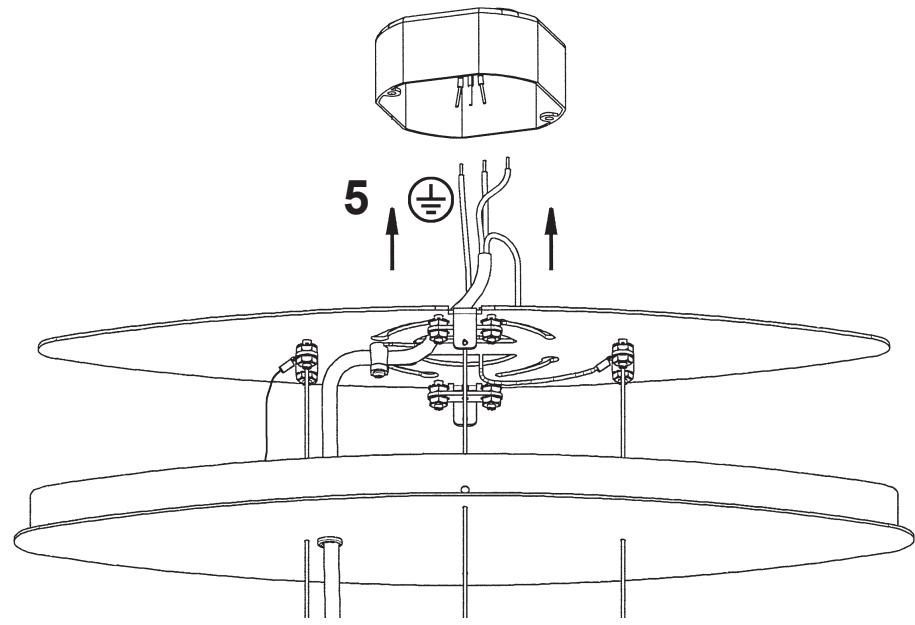
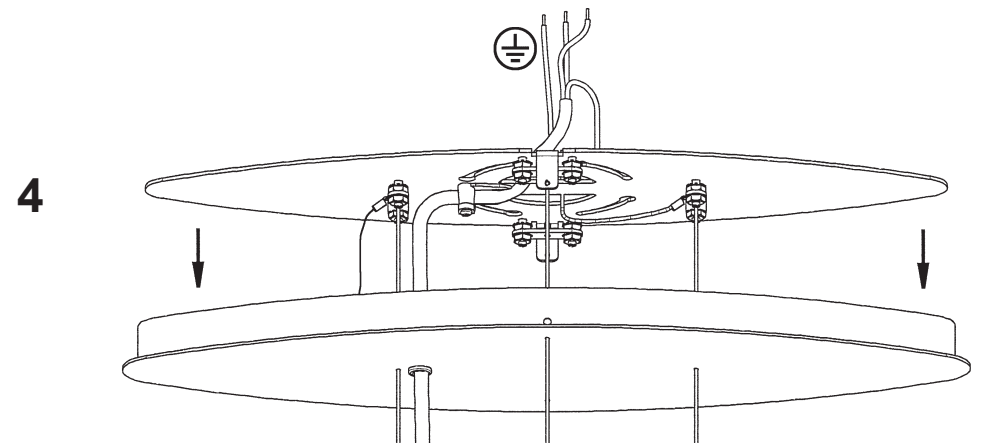
WARNING:
MOUNTING CONFIGURATION AND HARDWARE MUST HOLD 4X THE
WEIGHT OF THE FIXTURE. MOUNTING DESIGN AND FIXTURE
INSTALLATION SHOULD BE CONDUCTED BY A QUALIFIED
LICENSED PROFESSIONAL.

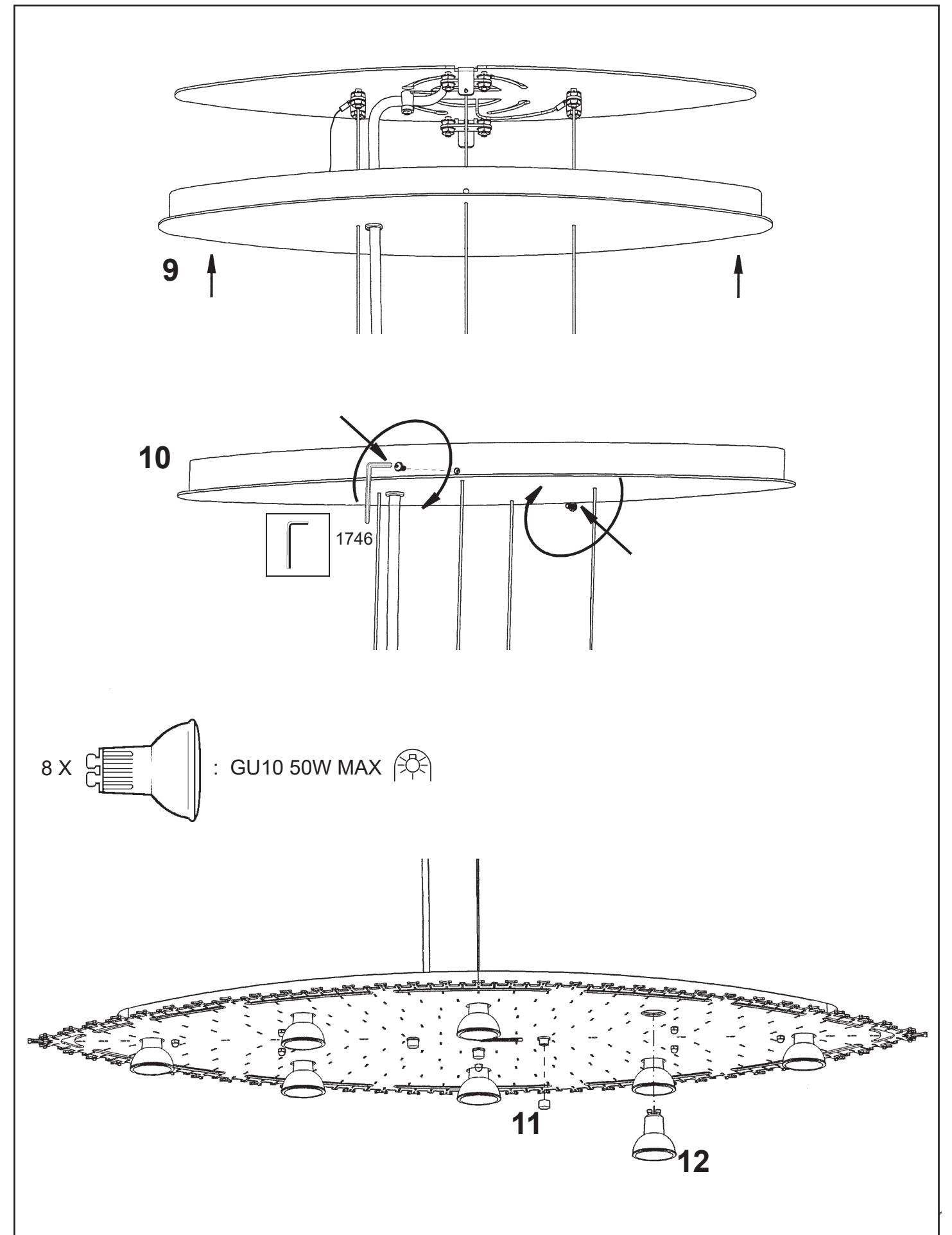
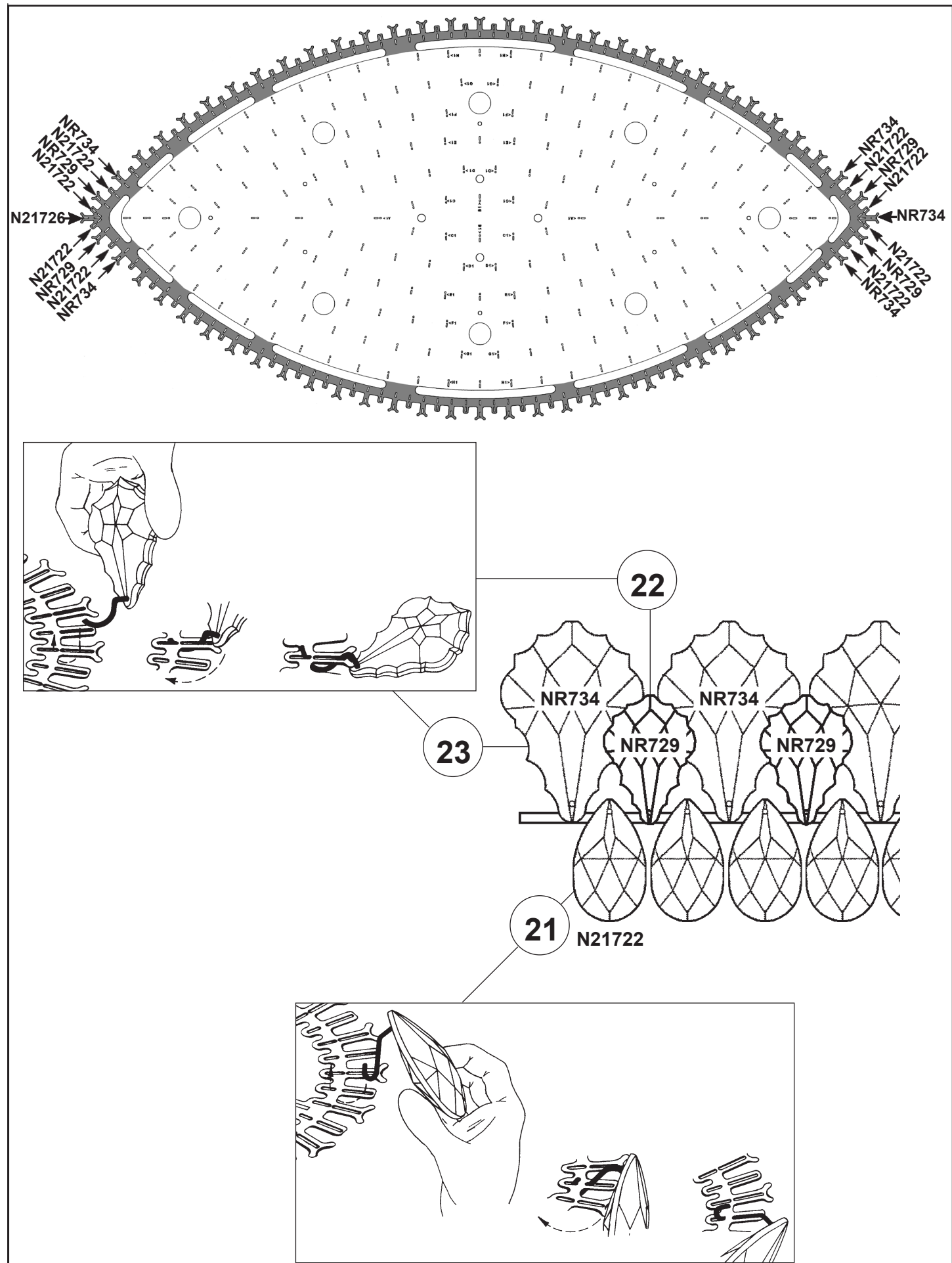


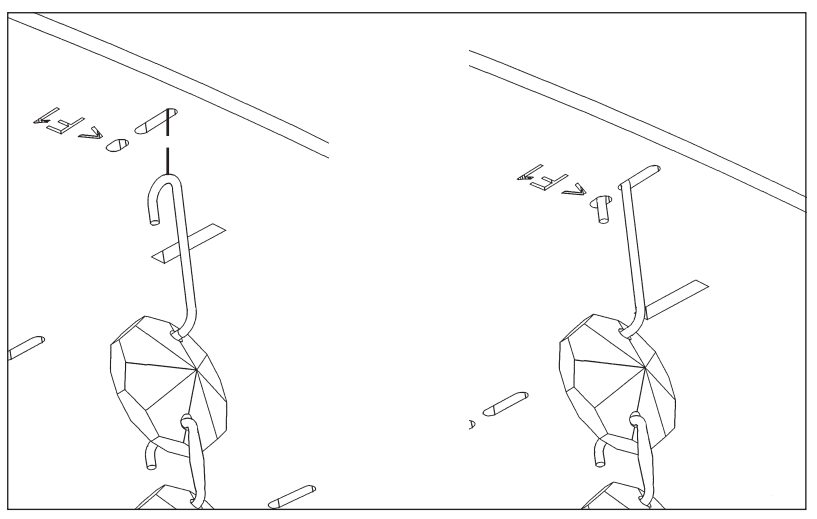
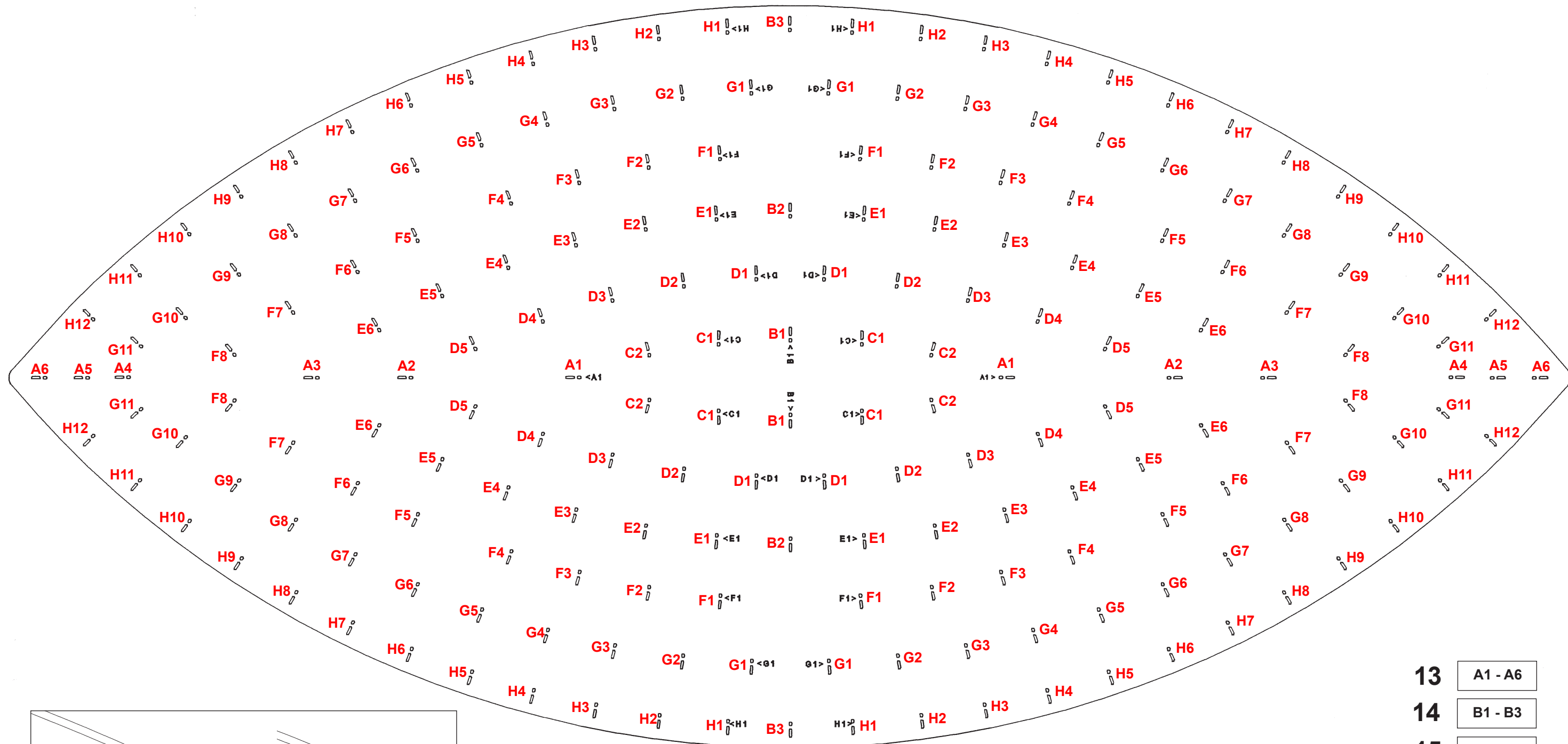


1 X  : 1746









After hanging all trim, remove labels from crystals. If residue remains, wipe off crystal with a soft, dry cloth.

- 13 A1 - A6
- 14 B1 - B3
- 15 C1 - C2
- 16 D1 - D5
- 17 E1 - E6
- 18 F1 - F8
- 19 G1 - G11
- 20 H1 - H12