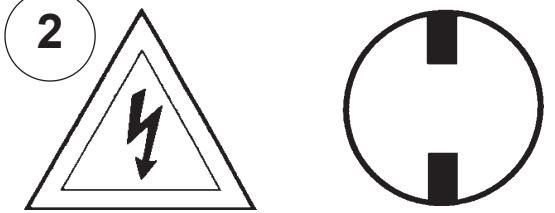


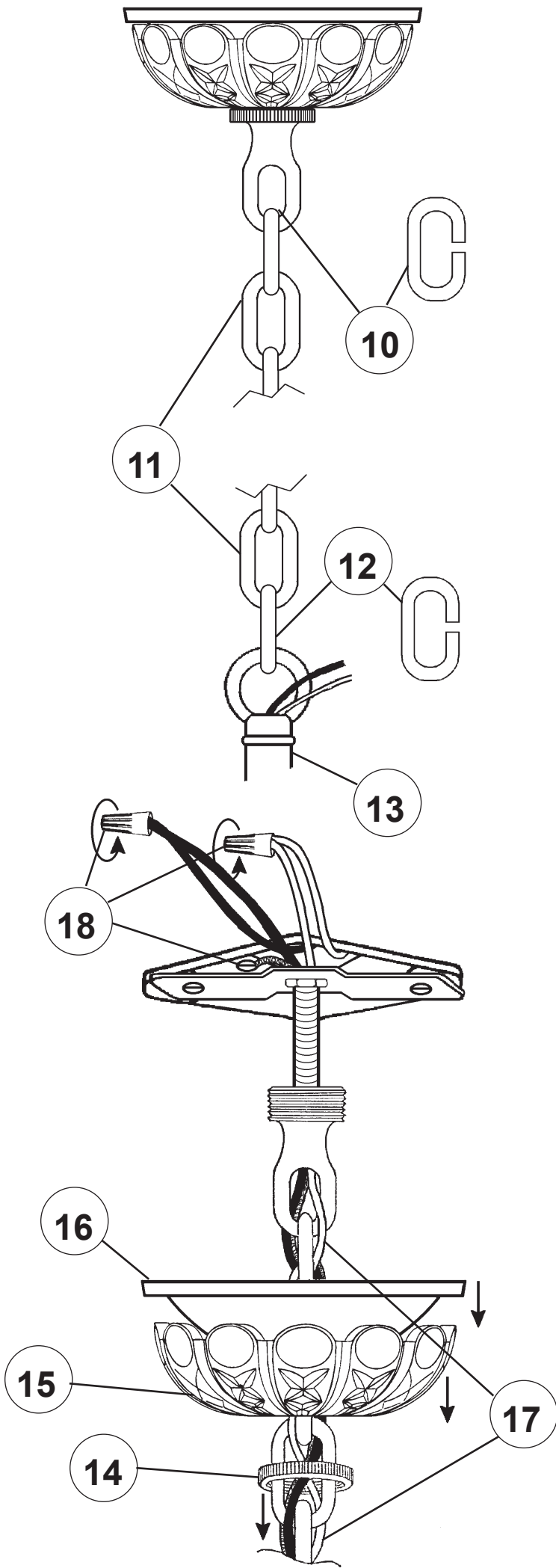
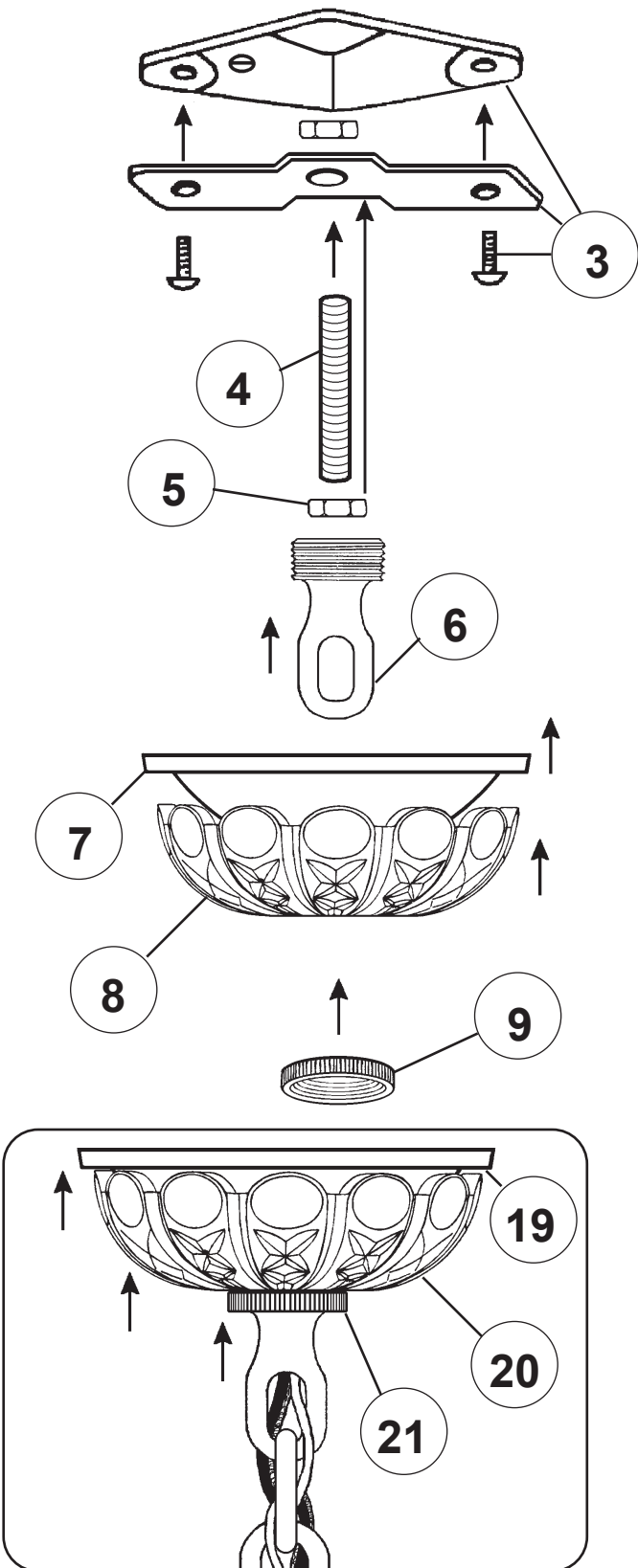
Instructions for electrician
STEPS 2 - 21

WARNING:

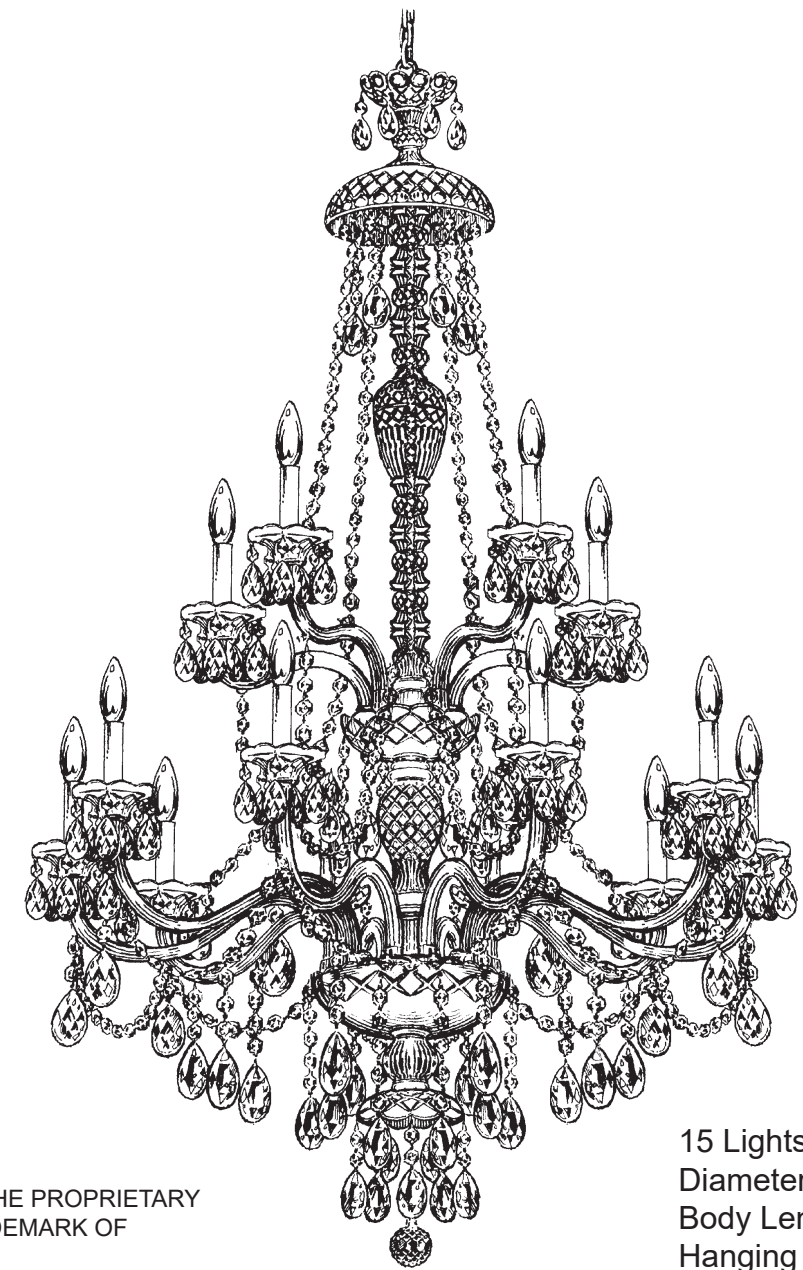
2 

Electrical Danger Turn Power Off

All electrical components must be installed by a licensed electrician in accordance with the National Electric Code and the appropriate local electrical codes.



CHANDELIER 3608-____H TRIM DIAGRAM
(Finish Option)



15 Lights
Diameter: 32"
Body Length: 47"
Hanging Weight: 40 pounds

THIS DESIGN IS THE PROPRIETARY TRADE DRESS/TRADEMARK OF W SCHONBEK LLC.



See diagram on back page
Follow steps in exact order
Save this trim diagram for future reference

1 **IMPORTANT**
Person who opens carton should record the following information for future service.

CODE #	_____	Four-digit number on outside of carton.
PACKER #	_____	See crystal package label.
ORDER #	_____	See crystal package label.



Instructions for crystal trimming

STEPS 22 - 36

23

You will need 15 - B10
25 Watts Recommended
60 Watts Max

**Install bulbs and be sure
to test fixture BEFORE
trimming.**

22 Connect upper arm wires to the center column using plug-in connectors. See detailed illustration.

Push wires into hole and attach arm to upper washer by rotating arm into place. Lock down by tightening screws into flange. See detailed illustration.

Repeat steps above for lower arms.

Install bobèche, bulbs, connect power and test the fixture before trimming. If any of the bulbs do NOT light - DISCONNECT POWER. Double check the wire connections.

CAUTION: Glass parts are fragile. To avoid breakage use care when assembling or cleaning.

WHEN ORDERING REPLACEMENT ARM(S):

- Give arm number from trim diagram
- Give color code from the arm itself

COLOR →

