

# NOUVEAU RENAISSANCE RN3892N-\_\_ \_\_H

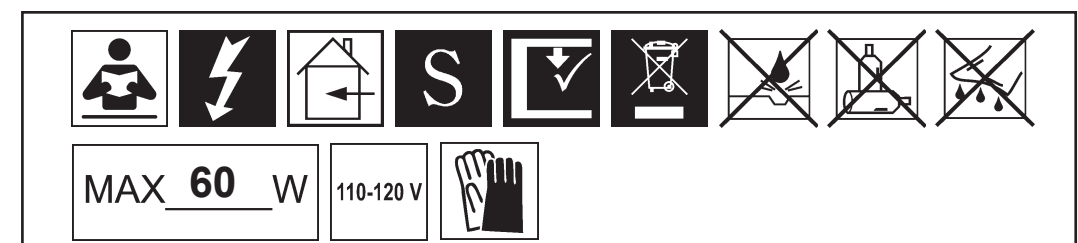


18 Lights  
Diameter: 40"  
Body Length: 27-1/2"  
Hanging Weight: 51 lbs.

**T**HIS DESIGN IS THE PROPRIETARY  
TRADE DRESS/TRADEMARK OF  
W SCHONBEK LLC.

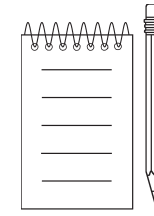
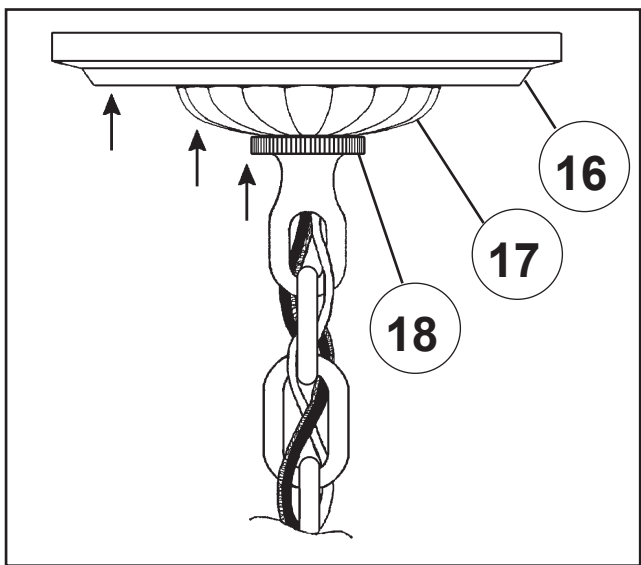
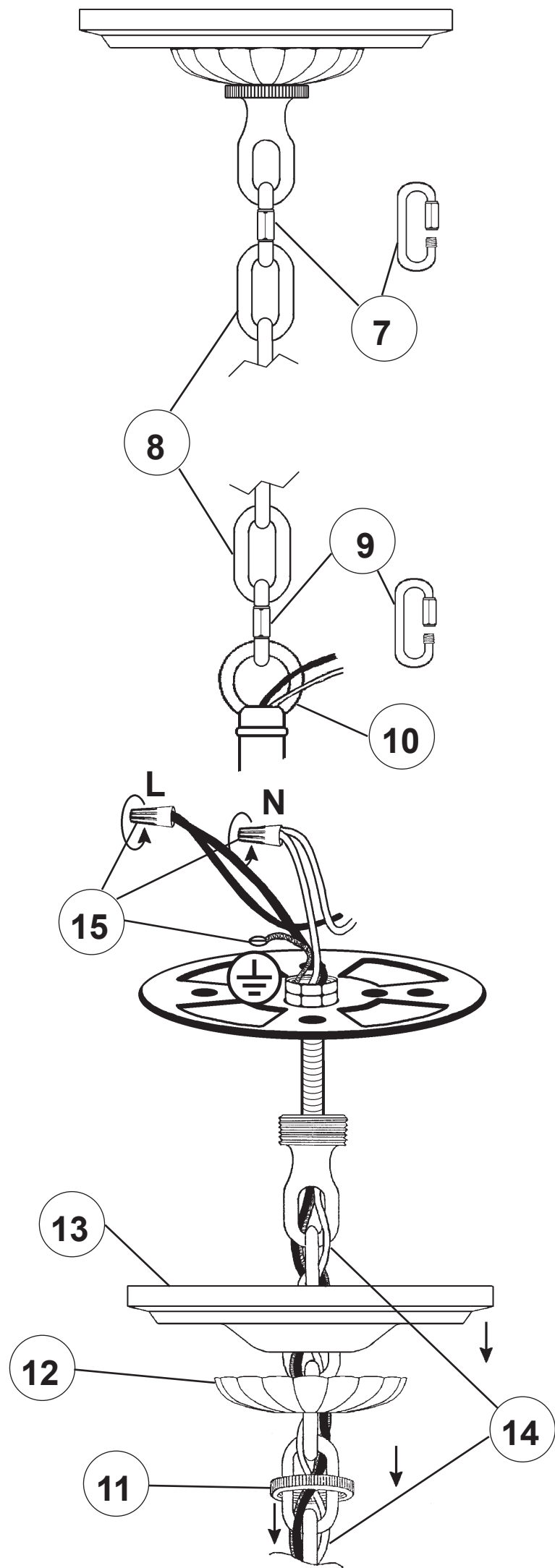
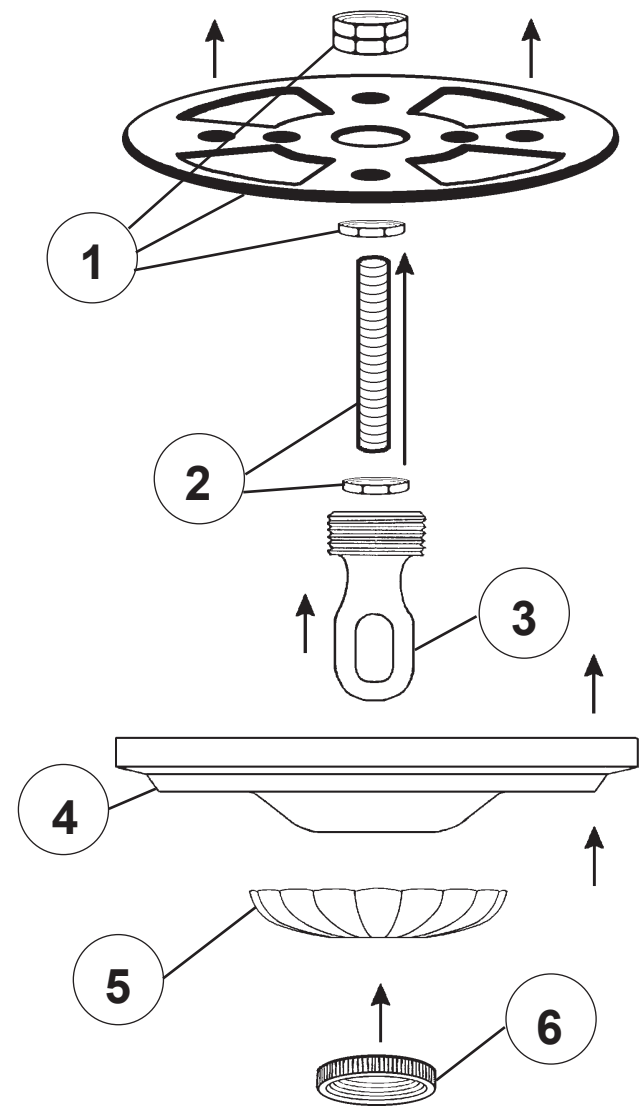
 **SCHONBEK** | 1870

 **SCHONBEK** | 1870

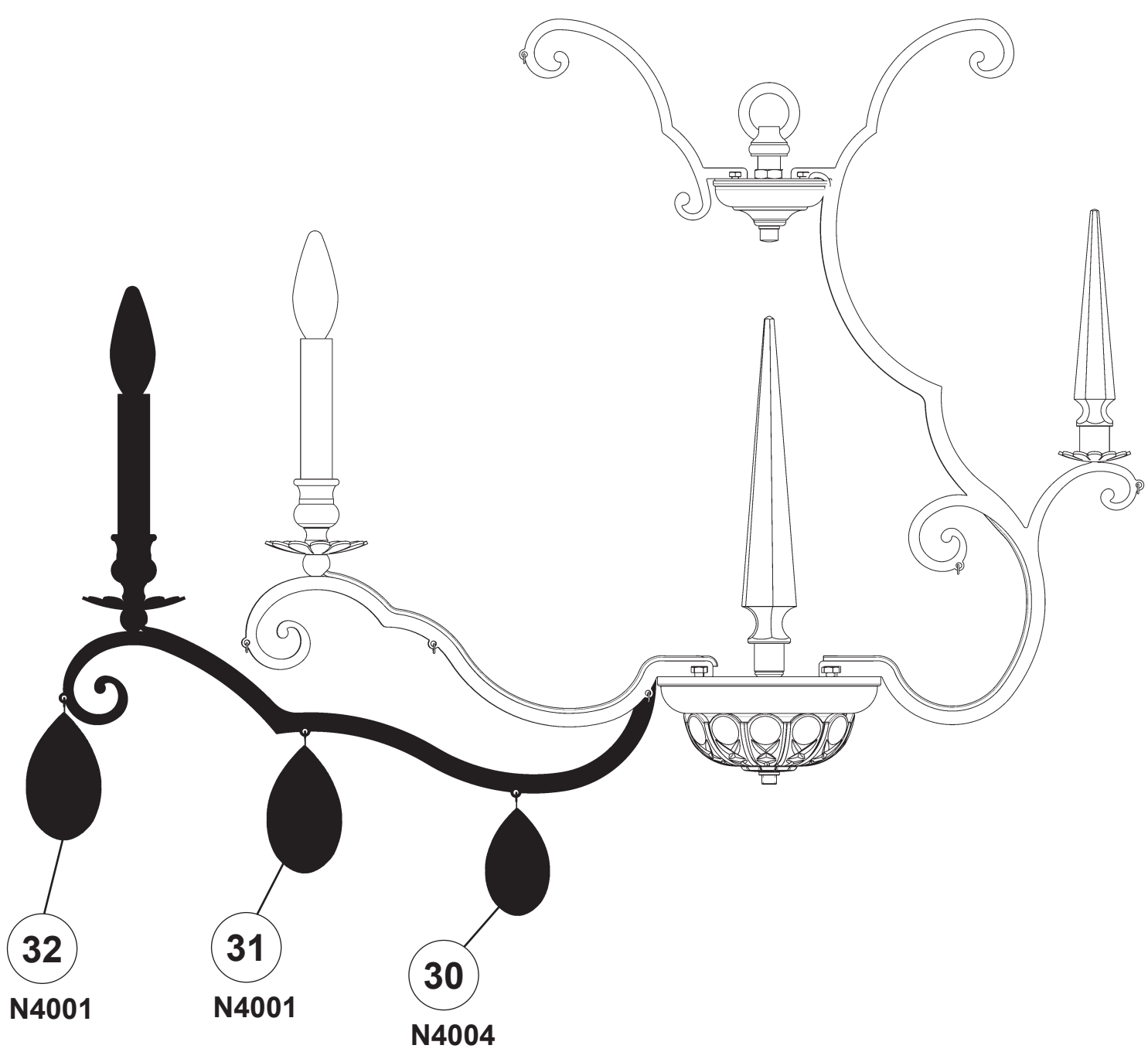


All electrical components must be installed by a licensed electrician in accordance with the National Electric Code and the appropriate local electrical codes.

**WARNING:** THIS LUMINAIRE MUST BE MOUNTED OR SUPPORTED INDEPENDENTLY OF AN OUTLET BOX.



**Crystal Set 3 in Black**

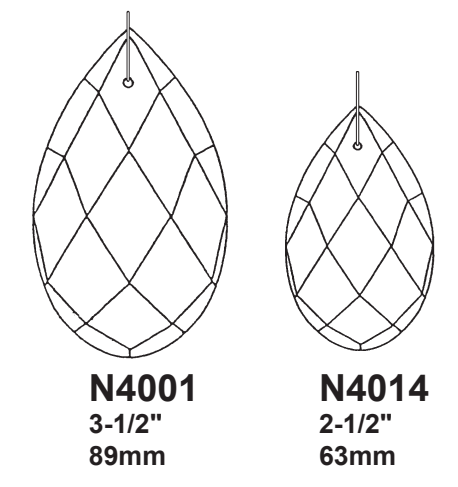


32  
N4001

31  
N4001

30  
N4004

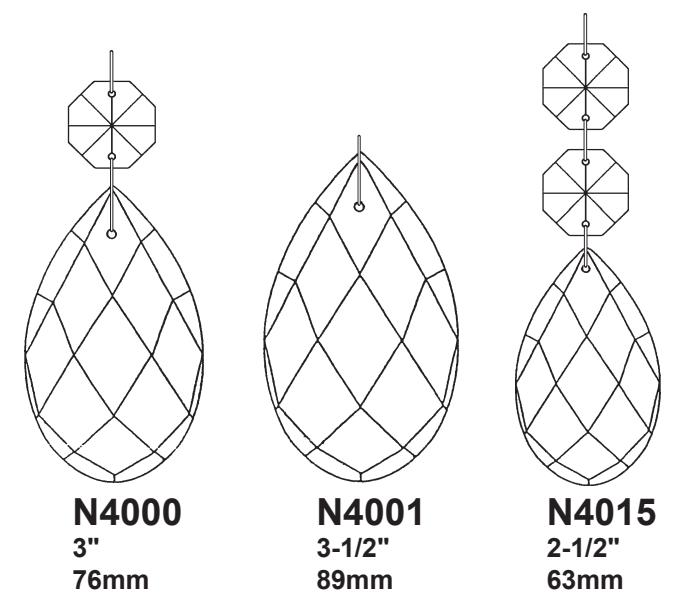
**SET 1**



**N4001**  
3-1/2"  
89mm

**N4014**  
2-1/2"  
63mm

**SET 2**

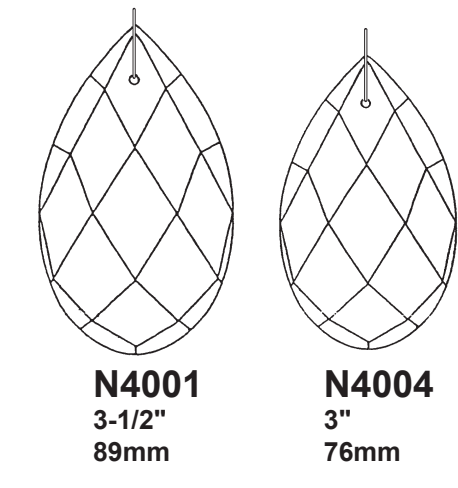


**N4000**  
3"  
76mm

**N4001**  
3-1/2"  
89mm

**N4015**  
2-1/2"  
63mm

**SET 3**



**N4001**  
3-1/2"  
89mm

**N4004**  
3"  
76mm

19



You will need 18 - B10  
25 Watts Recommended  
60 Watts Max

Install bulbs and be sure  
to test fixture **BEFORE**  
trimming.

1 X  : 400/16-\*\*

### Crystal Set 1 in Black

### Crystal Set 2 in Black

