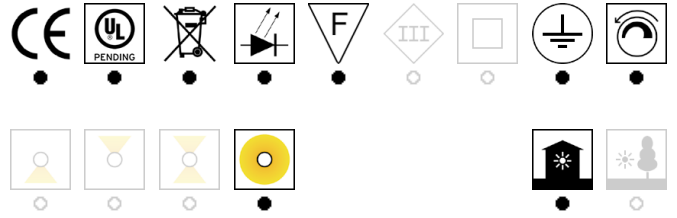


PIN S160.3 0-10V 110V

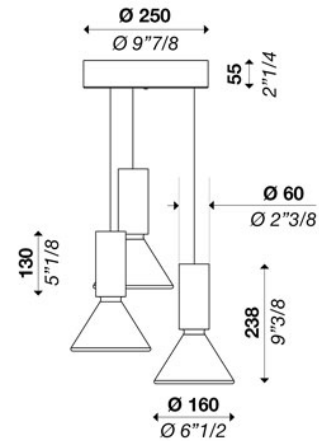
ver. 20200404_Rev_0

year: 2014
code: 1710336A20000
type: hanging lamp
application: indoor



Technical drawing

Size ref. image mm - inch



Technical data

Light source	LED
Circuit structure	LED COB G7
Light emission direction	diffused
Power	27 W
Source lumens	4218 lm
Source efficacy	156 lm/W
Consumption	36 W
Delivered lumens	2748 lm
Luminaire efficacy	76 lm/W
Secondary	350mA
Colour temperature	3000 K / variants page 2
Colour rendering index	80 CRI / variants page 2
Standard Deviation of Colour Matching	3 SDCM
Energy class	A
Safety class	I
Degree of protection	IP 20
Direct mounting on normally flammable surfaces	●
Operating temperature	+10° / +40°
CE	●
UL	○
Optional	
Emergency mode	○
Motion sensor	○
Directional	○

Packing

Net weight	
Packaging 1	
Packaging 2	
Packaging 3	
Packaging 4	
Packaging 5	

Structure

Material	aluminium
Finish	white / variants page 2

Diffuser

Material	glass
Finish	white

Canopy

Size	250 mm - 9" 7/8 inch
Height	55 mm - 2" 1/4 inch
Ceiling mount	direct / variants page 2

Electronics / Driver

Included	Yes
Quantity	1
Voltage	100-277V 50/60 Hz

Dimmable



Hanging cables

Stainless steel cables standard length (custom available)	○
Electric cable standard length (custom available)	2500 mm/100"

Warranty

Duration	2 years
----------	---------

PIN S160.3 0-10V 110V

ver. 20200404_Rev_0

year: **2014**
code: **1710336A20000**
type: **hanging lamp**
application: **indoor**

Available variants

Colour temperature

2700 k 3000 k 3500 k 4000 k custom



Colour rendering index

CRI 80 CRI 90 CRI 95 custom



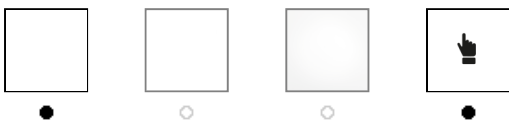
Structure finish

gold / brass matt white matt black embossed white embossed black



Diffuser / Optical

opal transparent satin custom



Ceiling Mount

direct custom

