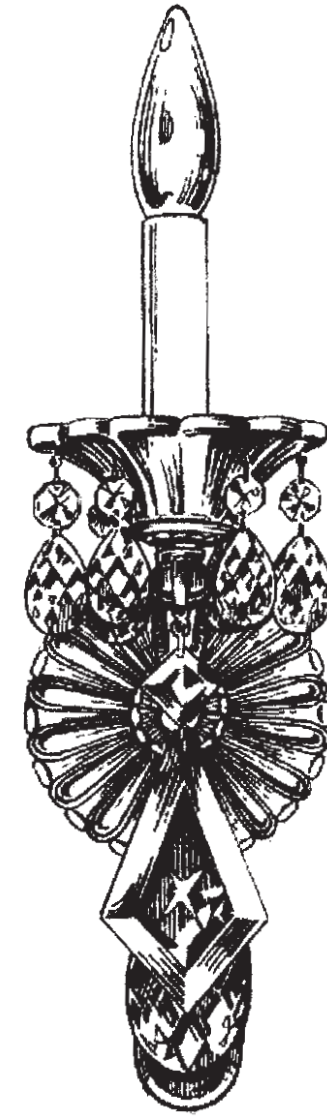


# LA SCALA 5000- \_\_\_\_













1 Light  
Diameter: 4-1/2"  
Body Length: 16"  
Extension: 8-1/2"  
Hanging Weight: 2 lbs.

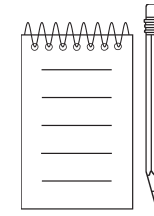
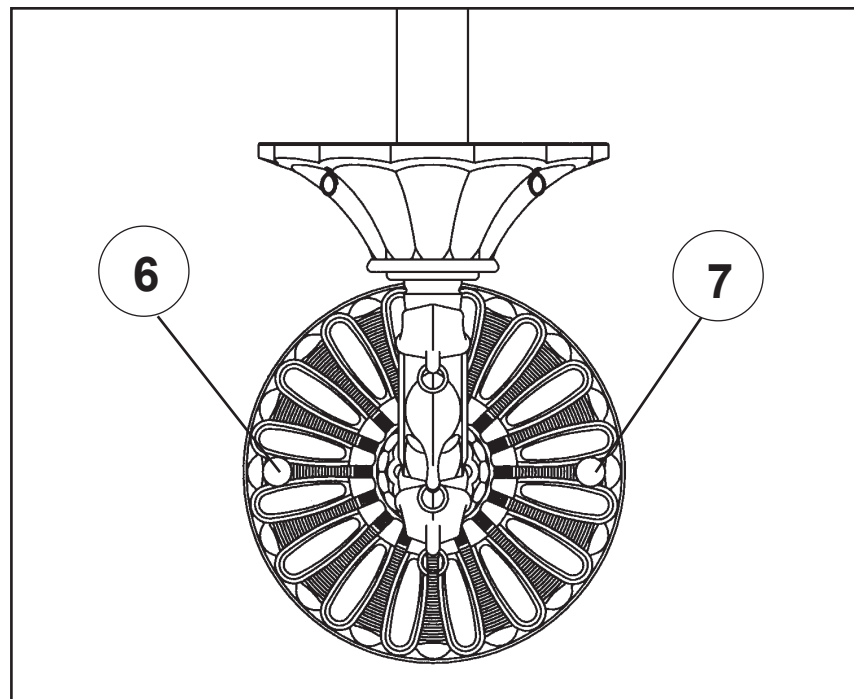
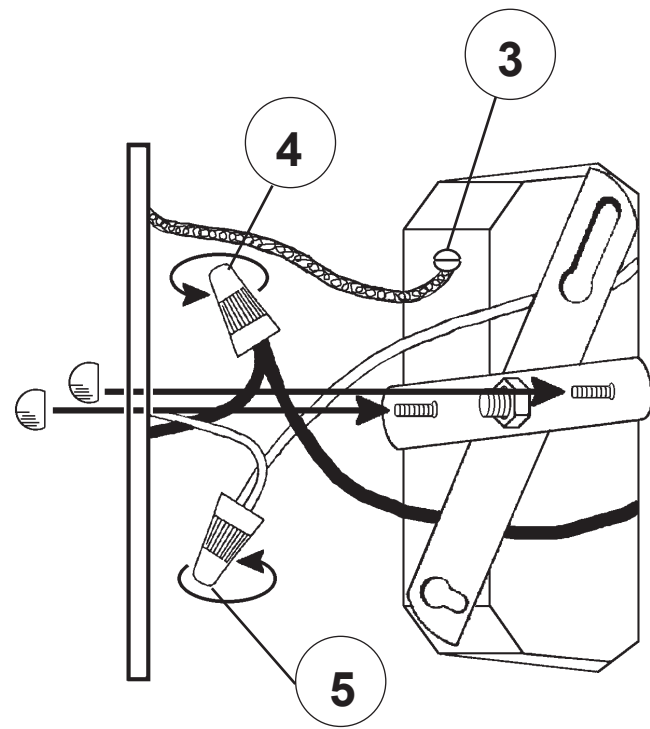
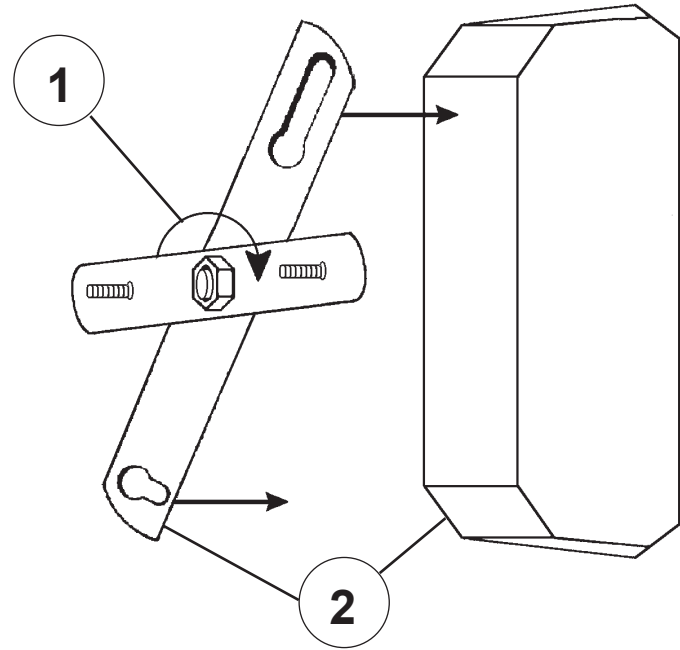
**T**HIS DESIGN IS THE PROPRIETARY  
TRADE DRESS/TRADEMARK OF  
W SCHONBEK LLC.

 **SCHONBEK** | 1870

 **SCHONBEK** | 1870

								
MAX <b>60</b> W	110-120 V							

All electrical components must be installed by a licensed electrician in accordance with the National Electric Code and the appropriate local electrical codes.



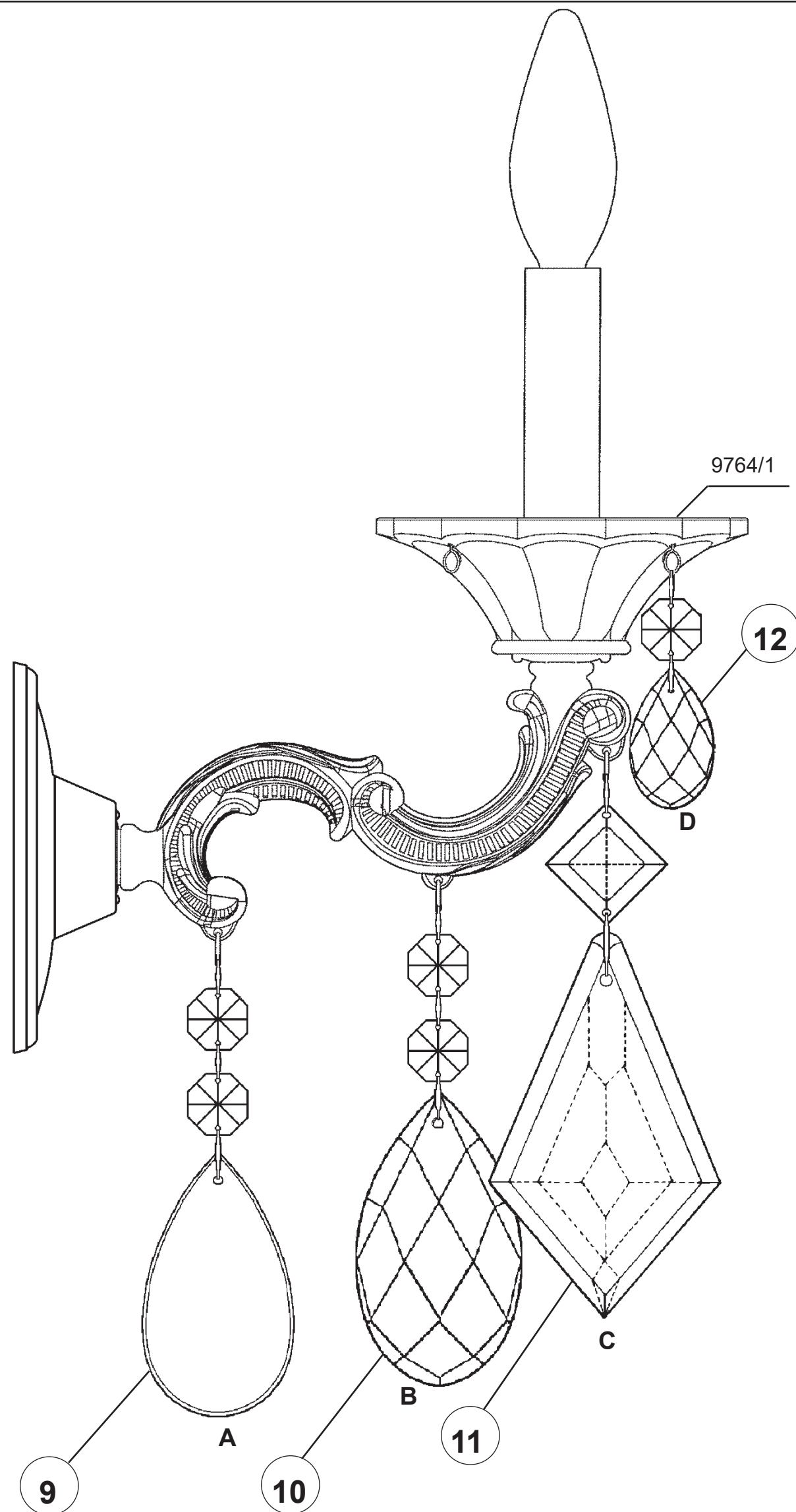




8

You will need 1 - B10  
25 Watts Recommended  
60 Watts Max

Install bulbs and be sure  
to test fixture **BEFORE**  
trimming.



 **SCHONBEK** | 1870











# LA SCALA 5001- \_\_ \_\_ R



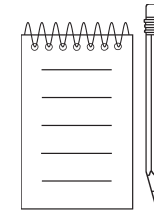
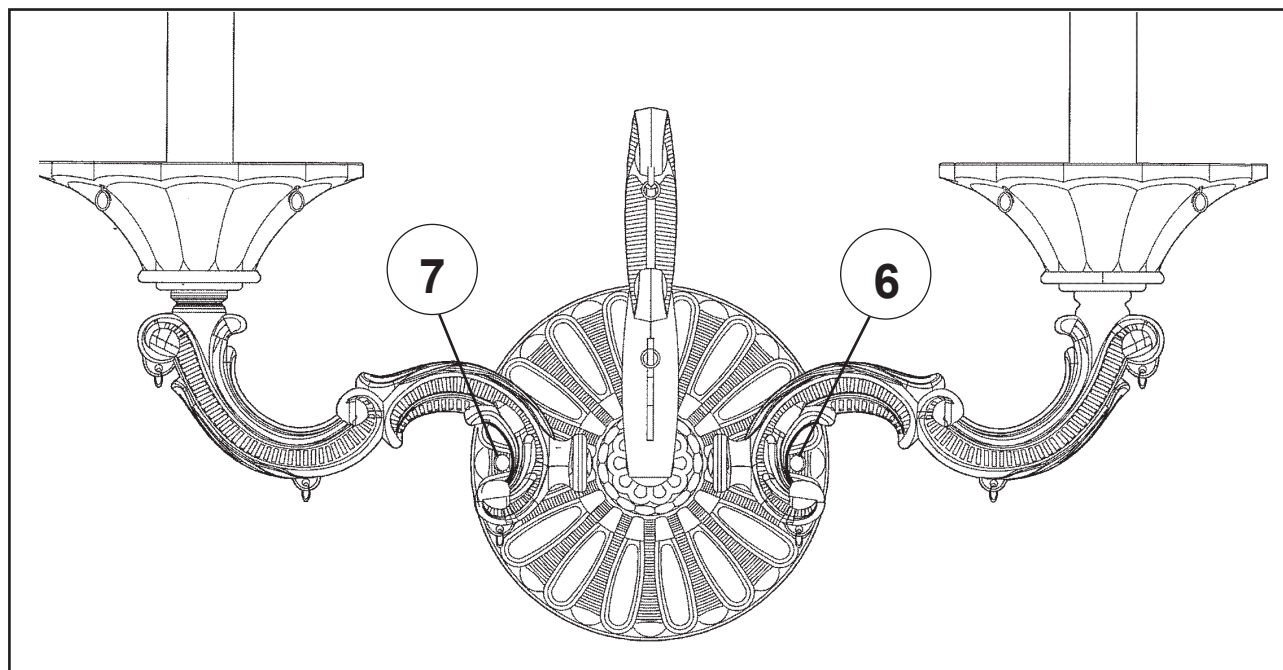
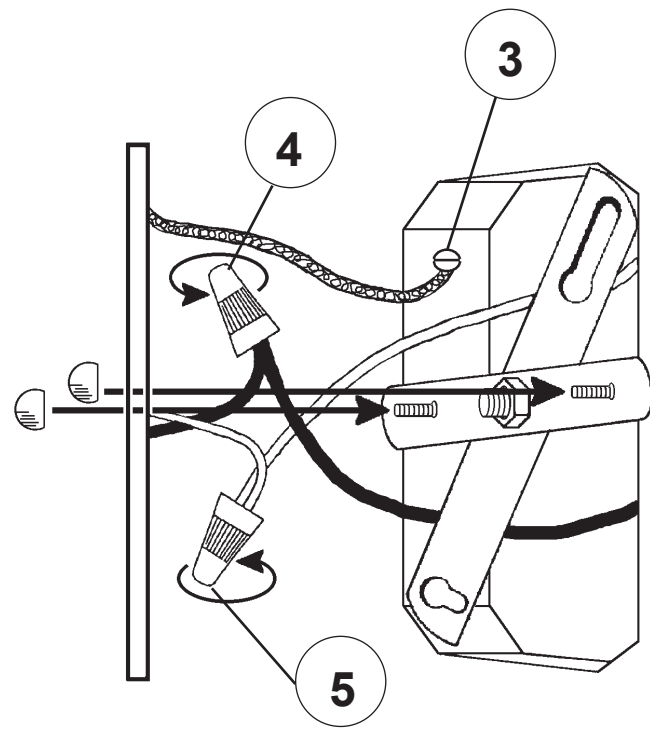
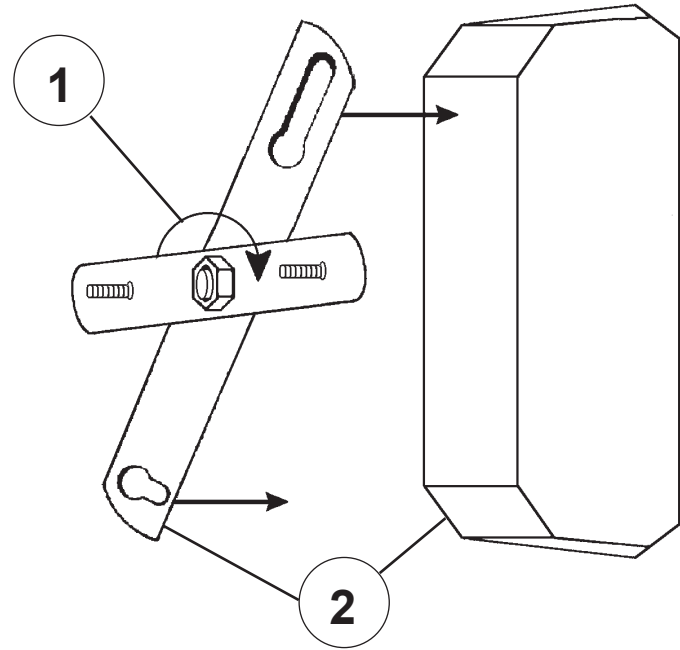
2 Lights  
Diameter: 15"  
Body Length: 17"  
Extension: 6"  
Hanging Weight: 6lbs.

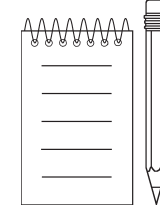
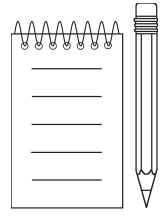
**T**HIS DESIGN IS THE PROPRIETARY  
TRADE DRESS/TRADEMARK OF  
W SCHONBEK LLC.

 **SCHONBEK** | 1870

								
MAX <b>60</b> W		110-120 V						

All electrical components must be installed by a licensed electrician in accordance with the National Electric Code and the appropriate local electrical codes.





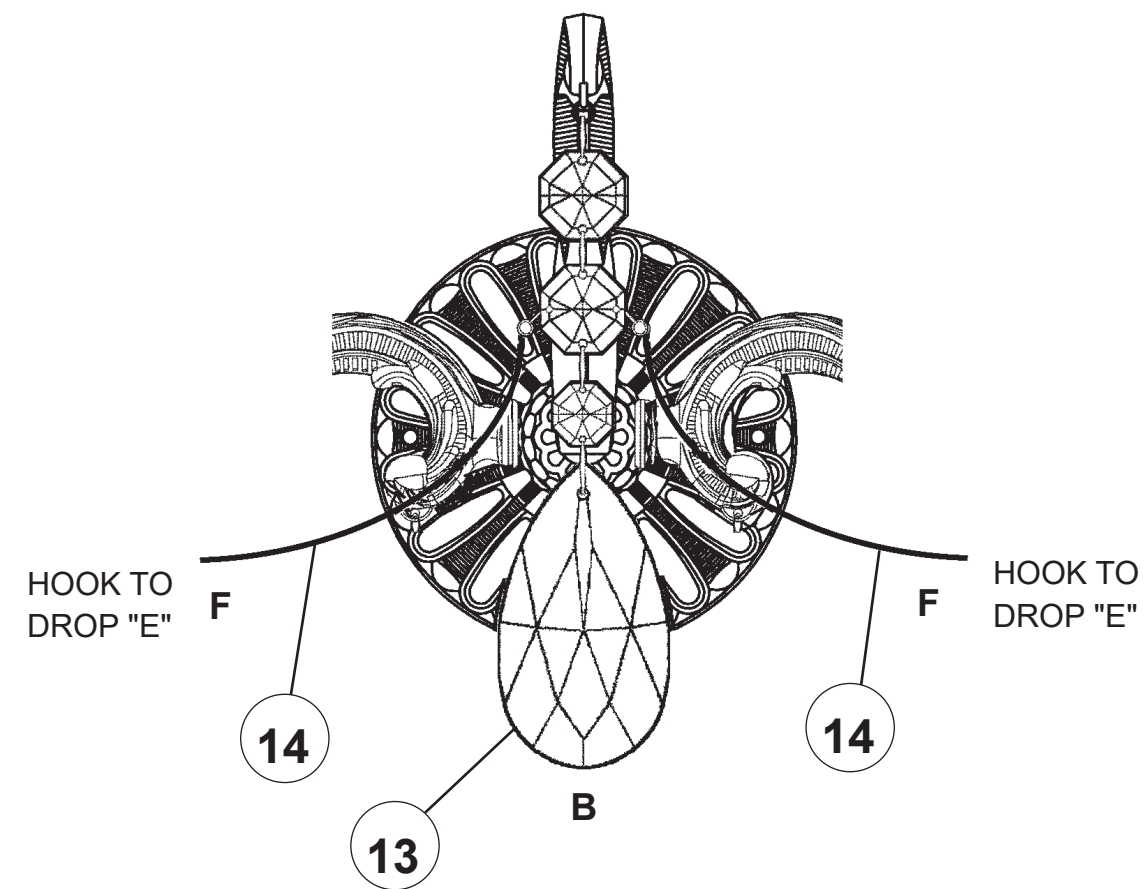
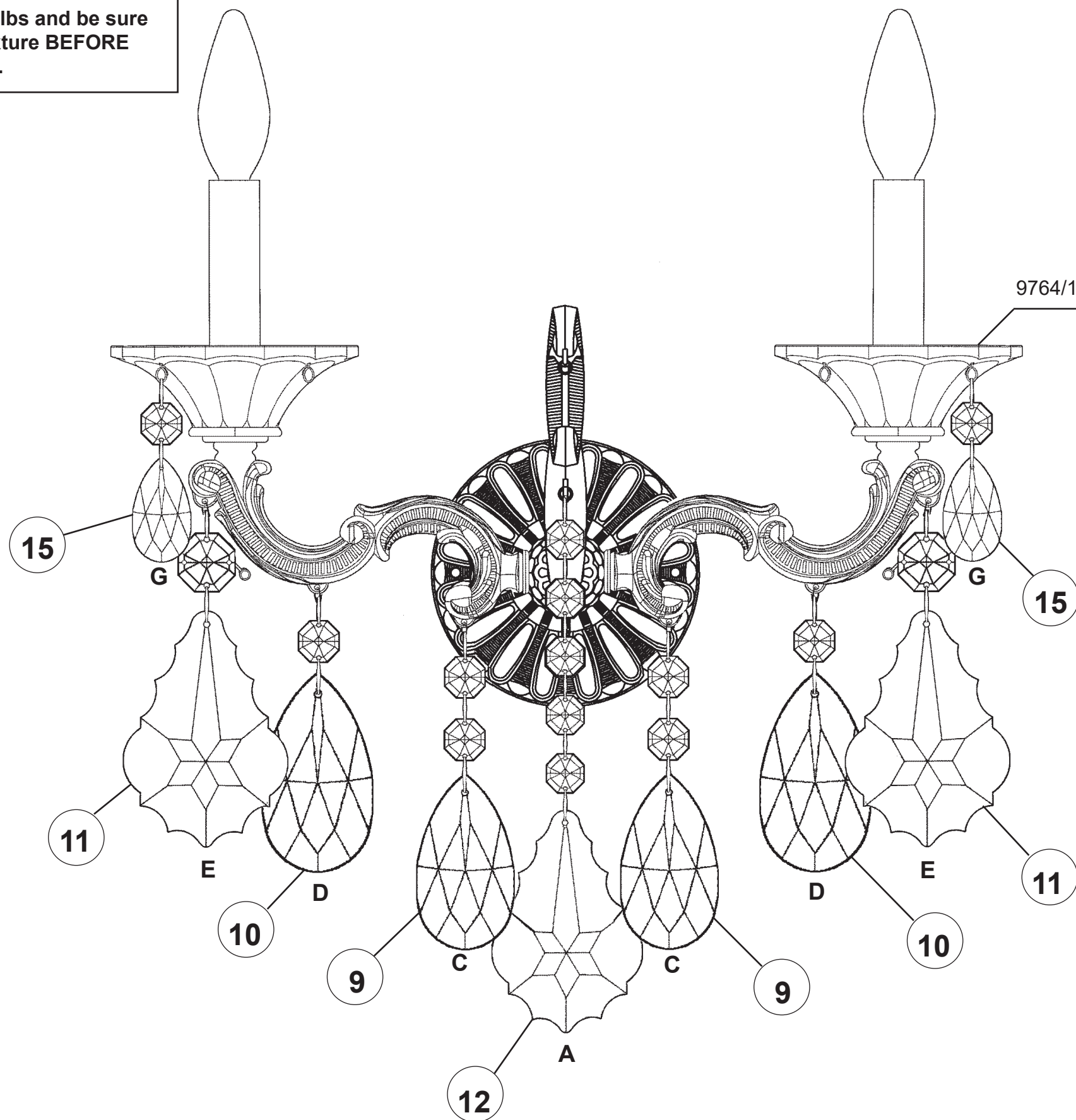




8

You will need 2 - B10  
25 Watts Recommended  
60 Watts Max

Install bulbs and be sure  
to test fixture **BEFORE**  
trimming.





 **SCHONBEK** | 1870











# LA SCALA 5001- \_\_\_\_\_



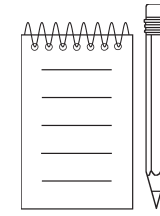
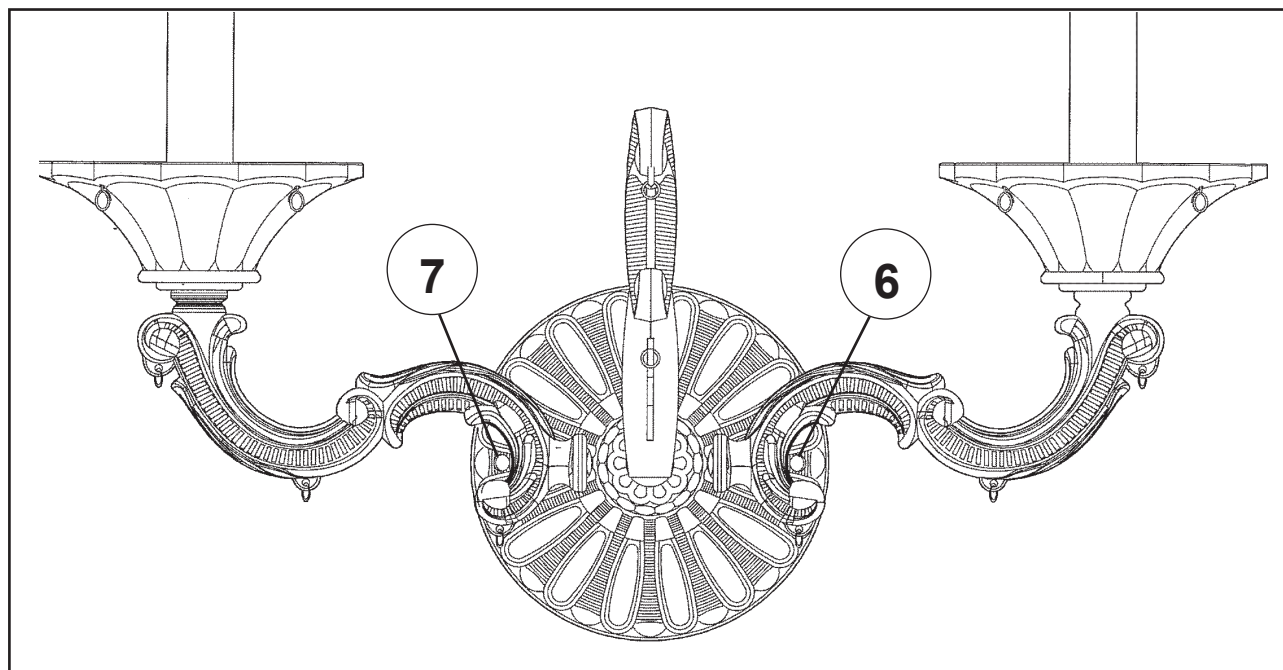
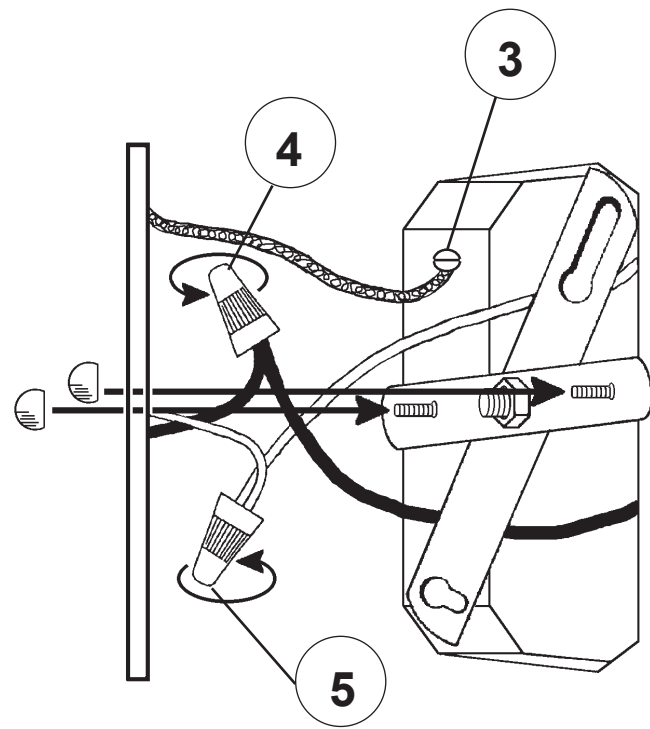
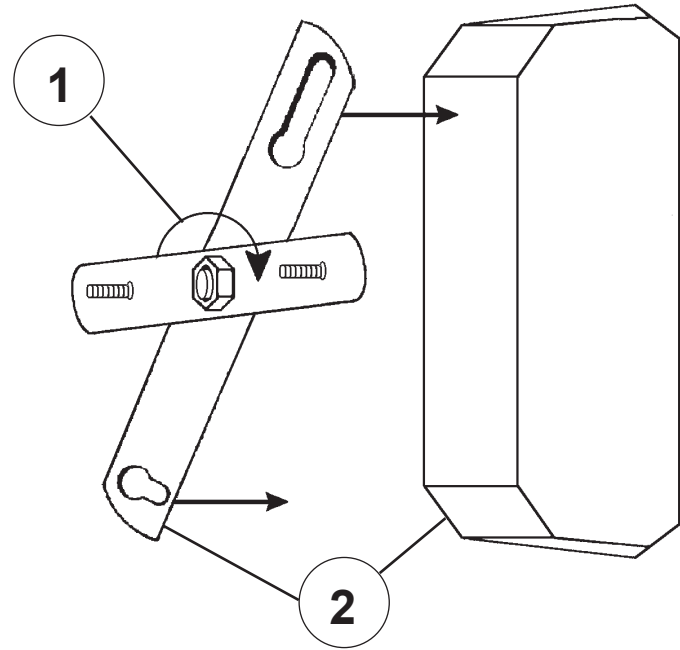
2 Lights  
Diameter: 15"  
Body Length: 17"  
Extension: 6"  
Hanging Weight: 6lbs.

**T**HIS DESIGN IS THE PROPRIETARY  
TRADE DRESS/TRADEMARK OF  
W SCHONBEK LLC.

 **SCHONBEK** | 1870

								
MAX <b>60</b> W		110-120 V						

All electrical components must be installed by a licensed electrician in accordance with the National Electric Code and the appropriate local electrical codes.







8

You will need 2 - B10  
25 Watts Recommended  
60 Watts Max

Install bulbs and be sure  
to test fixture **BEFORE**  
trimming.

